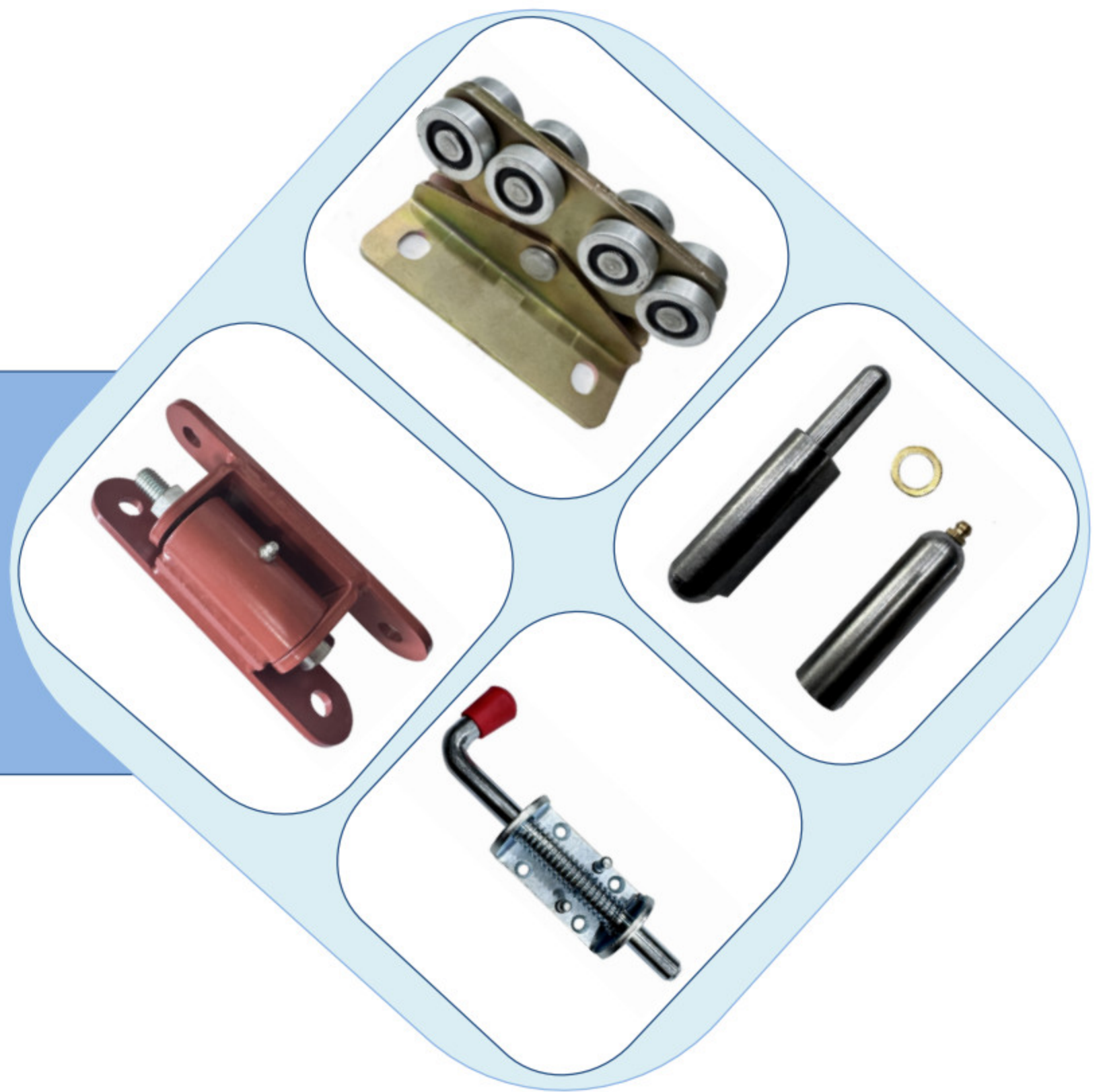


- 1. Welded Hinge
- 2. Latch Bolt Hinge
- 3. Trailer Pin
- 4. Pulley





Company Profile

About us

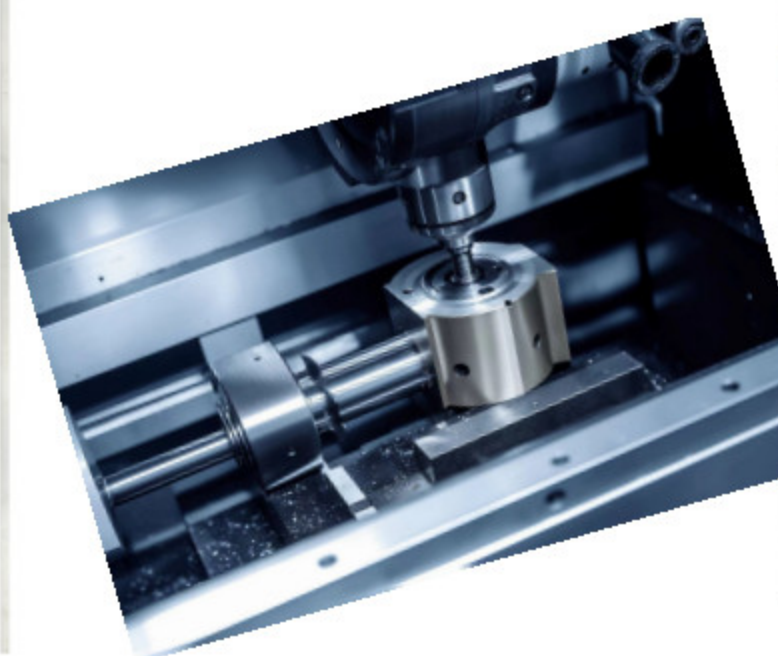
Ningbo Huijiu Hardware Products Co.,Ltd. is a professional manufacturer of high-quality hardware products.

With over a decade of experience exporting to the US and Europe market, we are committed to delivering durable products that meet international standards.

Our factory equipped with large laser cutting machines, shearing machines, bending machines, 5-200T stamping machines, and CNC processing equipment, meeting the cutting and processing requirements of customers.

Our main products cover welded hinges, latches, heavy-duty pins, pulley, trailer parts, wheel spacer and industrial ladders, etc

Adhering to the business philosophy of "Quality First, Customer Supreme, Honesty and Trust worthiness, Harmonious Development", our factory firmly believes in quality, favorable prices and perfect after-sales service, allowing customers to enjoy it all at once. We are willing to cooperate sincerely with domestic and foreign merchants to jointly achieve great success.



Company Scenarios



Turning Workshop



Stamping Workshop



Polishing



Corner Of The Workshop



Precision Machining





Contents

Company Profile	
Company Scenarios	
Contents	
Welded Hinge	6---15
Hinge.....	16--19
Forging Hinges.....	20
Handle And Pull Ring.....	22
Latch Bolt Hinge.....	23
Trailer Pin.....	24-27
Floor-To-Ceiling Hinge.....	29-30
Adjustable Hinge.....	31
Opening-Closing Hinge.....	32
Heavy Duty Hinge.....	34-35
Pulley.....	37-38
Suspension Wheel.....	39
Hanging Tag.....	41
Nylon-Coated Steel Plate.....	42
Stamping parts.....	43
Truck Tarp Kit.....	44
Ladder	45-46
Welded Parts	47
Building Ebedded Parts.....	48
Vehicle Conversion Parts.....	50-51

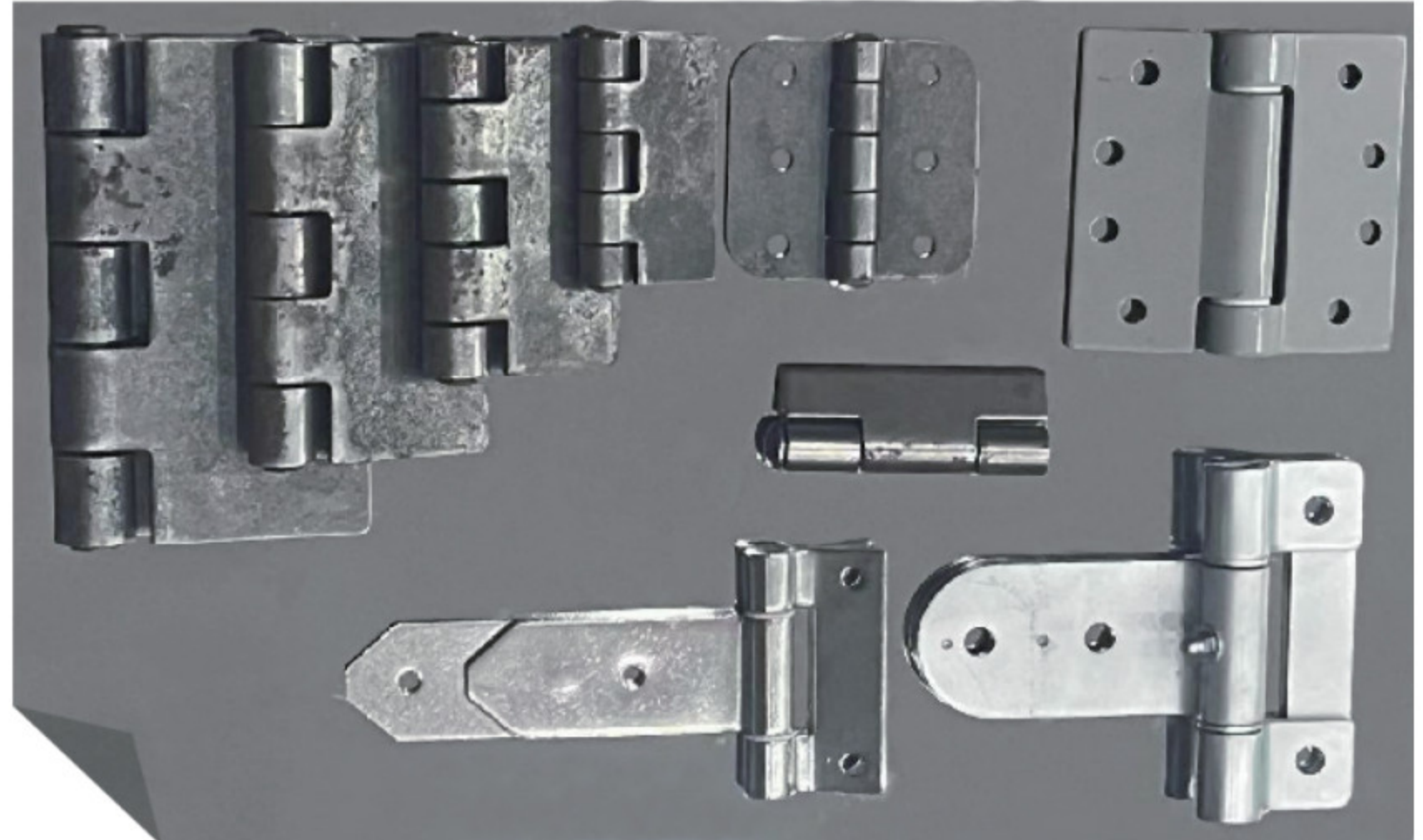
The Hinges

They are used for Doors and Windows, also used for Trailer and Truck's door.

The material is iron, stainless steel, etc.

The shape can be with holes or be hole-free.

In addition to producing standard sizes, we can also manufacture the specific sizes requested by the customers.



The Welded Hinges

They are used for mechanical equipment door.

The material is iron, stainless steel, aluminum, etc.

The shape can be round, tear drop, flat top or round top, with oil or oil free.

In addition to producing standard sizes, we can also manufacture the specific sizes requested by the customers.

The Welded Hinges

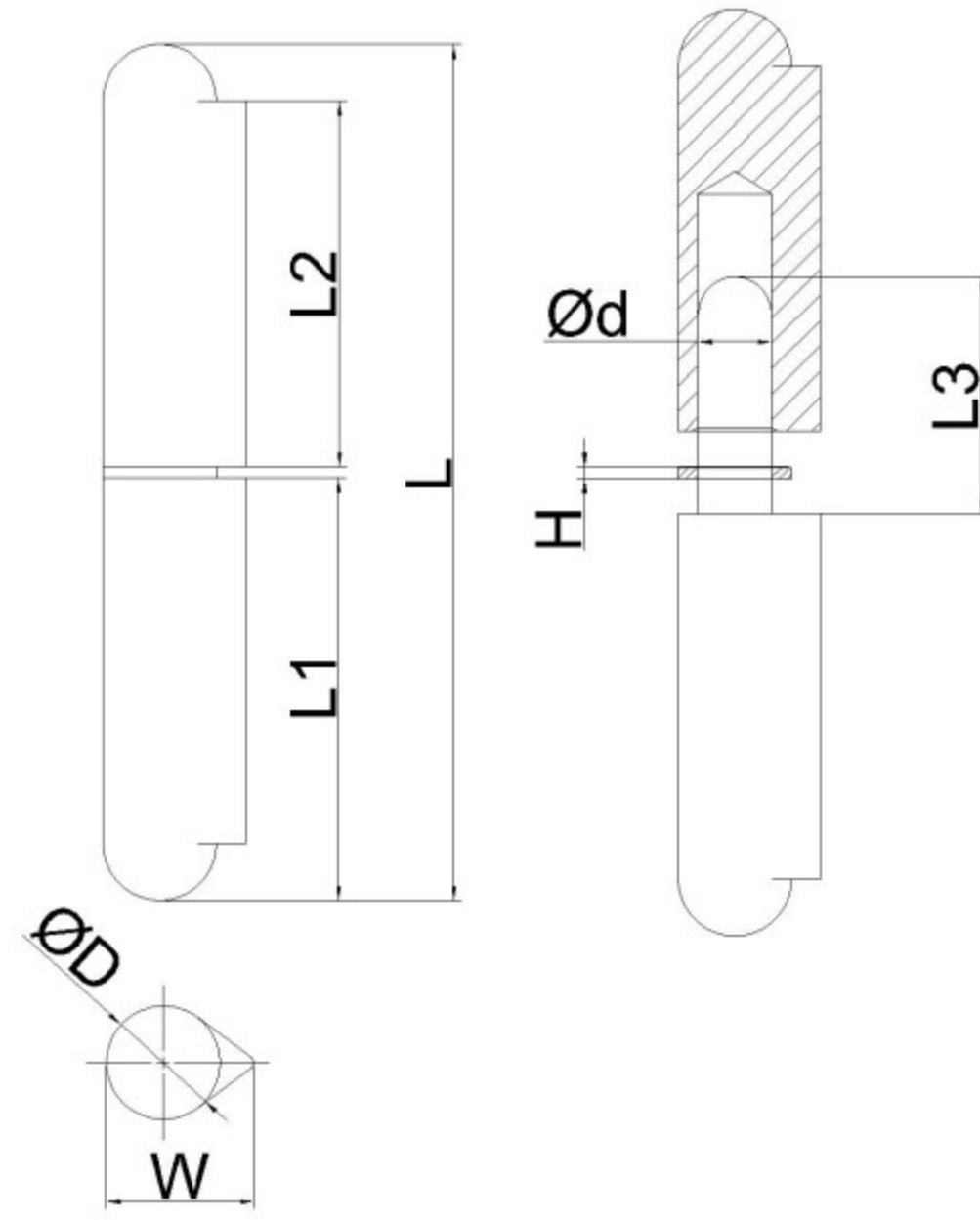
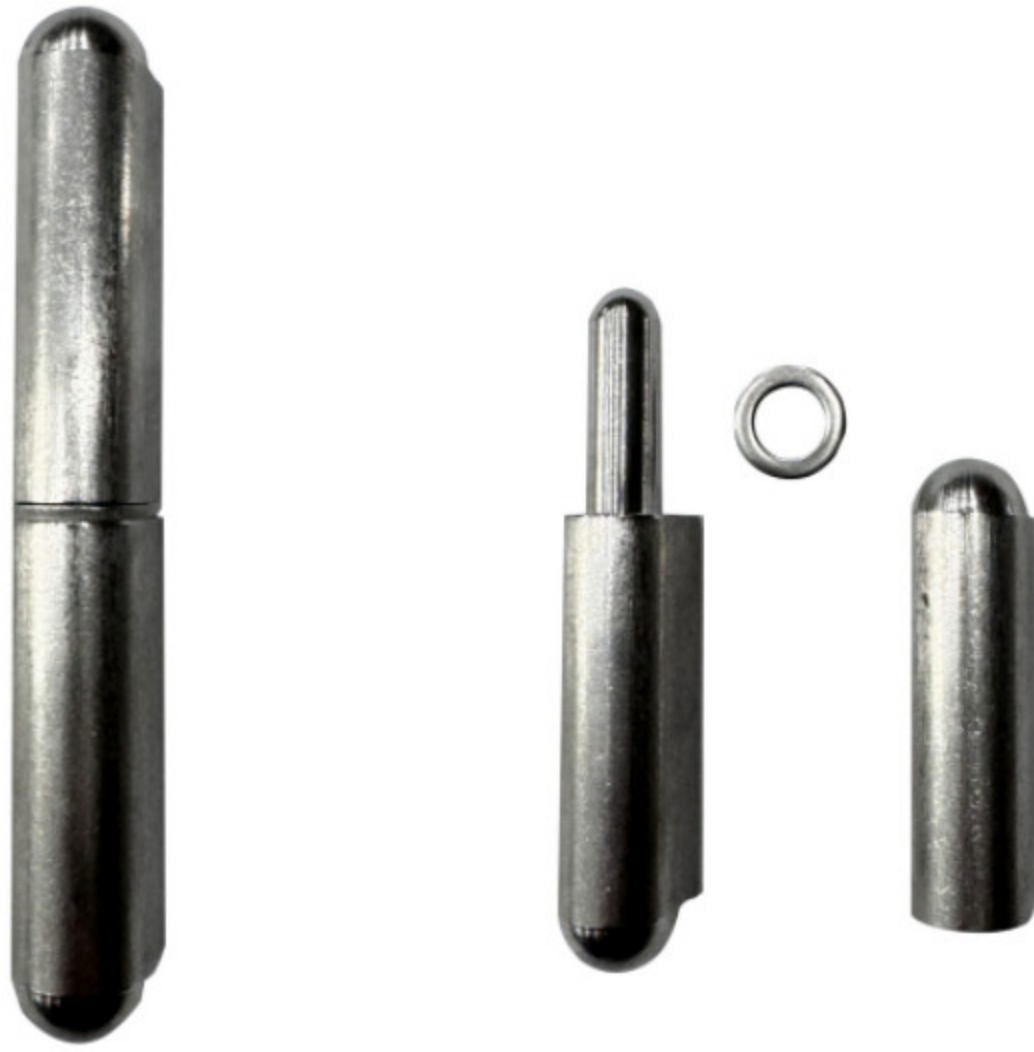
They are used for household Industrial equipment door.

The material is iron, stainless steel, etc.

The shape can be round, square, etc.

In addition to producing standard sizes, we can also manufacture the specific sizes requested by the customers.

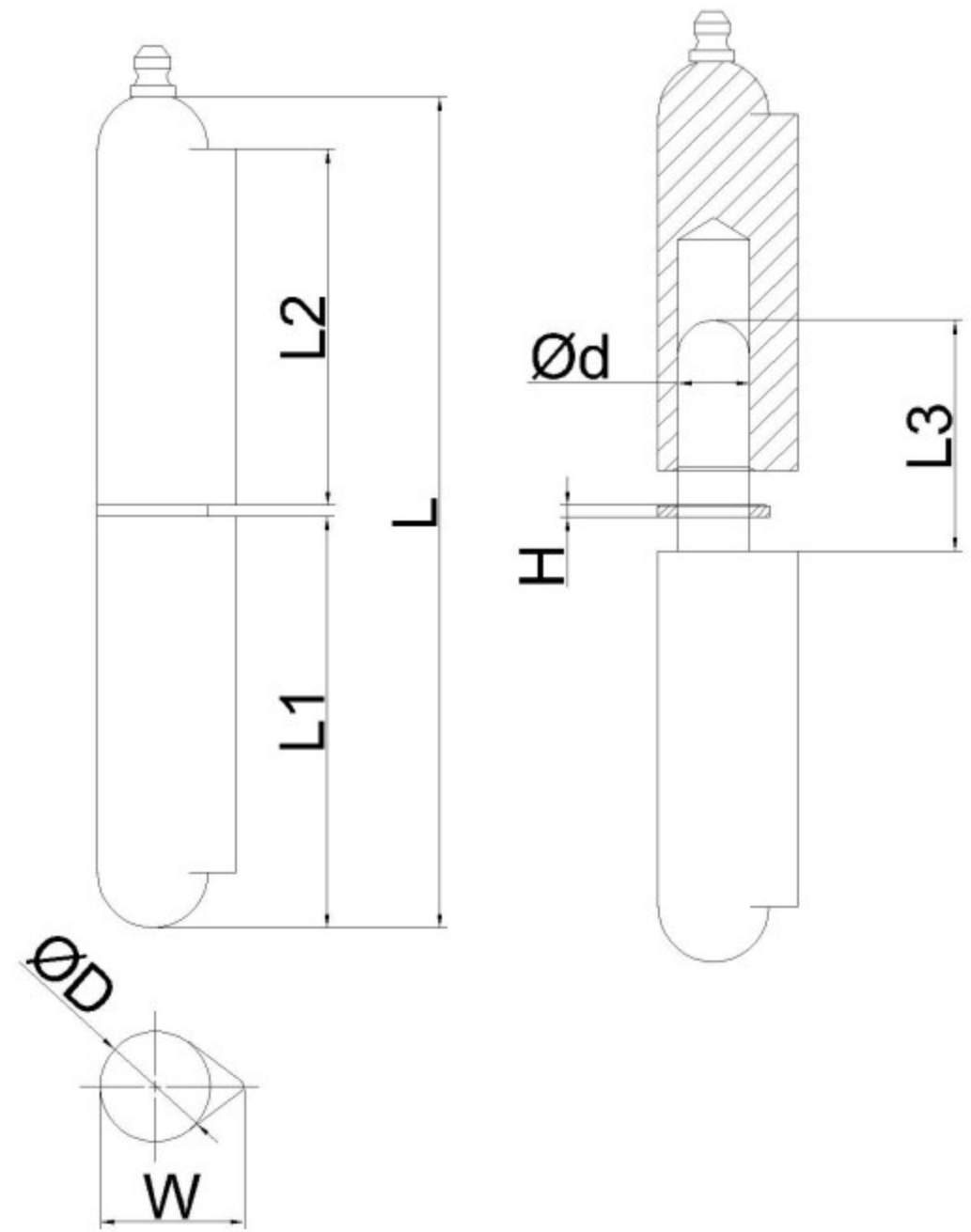




Model: oil-free series

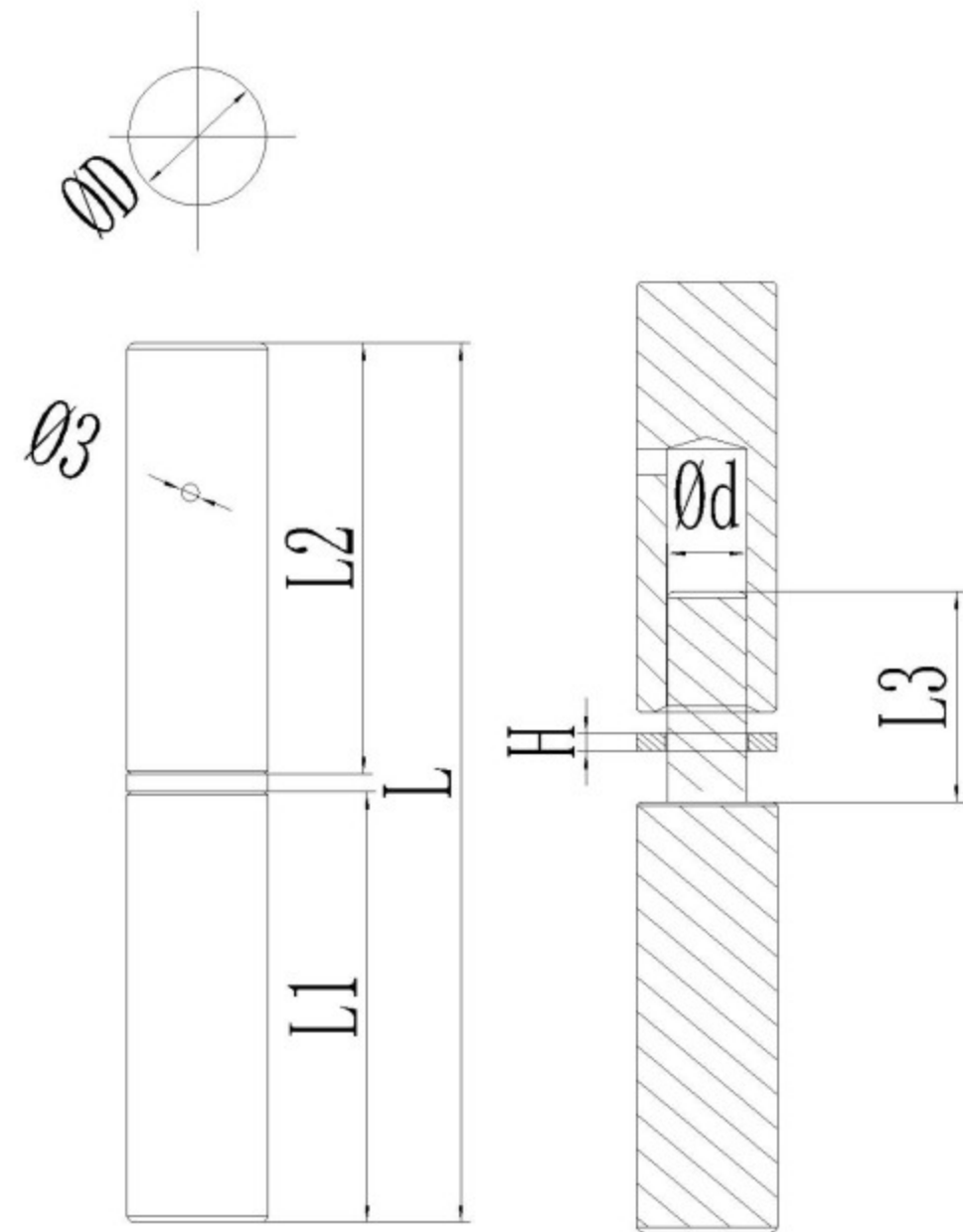
NO.	L	L1	L2	L3	ΦD	Φd	W	H
8X10X40	40	19.25	19.25	14.5	8	4.9	10	1.5
8X10X50	50	24.25	24.25	14.5	8	4.9	10	1.5
10X12X60	60	29	29	17	10	5.9	12	2
11.5X13.2X70	70	34	34	21	11.5	5.9	13.2	2
13X15.5X80	80	39	39	22	13	7.9	15.5	2
16X20X100	100	48.75	48.75	31	16	9.9	20	2.5
16X20X120	120	58.75	58.75	31	16	9.9	20	2.5
18X21X135	135	66.25	66.25	38	18	11.9	21	2.5
18X22X135	135	66.25	66.25	38	18	11.9	22	2.5
20X25X150	150	73.75	73.75	38	20	12.9	25	2.5
20X25X180	180	88.75	88.75	48	20	12.9	25	2.5
23X28X200	200	98.5	98.5	52	23	15.9	28	3
28X37X260	260	129	129	67.5	28	18.9	37	2

Welded Hinge



Model: oiled series

NO.	L	L1	L2	L3	ΦD	Φd	W	H
8X10X40	40	19.25	19.25	14.5	8	4.9	10	1.5
8X10X50	50	24.25	24.25	14.5	8	4.9	10	1.5
10X12X60	60	29	29	17	10	5.9	12	2
11.5X13.2X70	70	34	34	21	11.5	5.9	13.2	2
13X15.5X80	80	39	39	22	13	7.9	15.5	2
16X20X100	100	48.75	48.75	31	16	9.9	20	2.5
16X20X120	120	58.75	58.75	31	16	9.9	20	2.5
18X21X135	135	66.25	66.25	38	18	11.9	21	2.5
18X22X135	135	66.25	66.25	38	18	11.9	22	2.5
20X25X150	150	73.75	73.75	38	20	12.9	25	2.5
20X25X180	180	88.75	88.75	48	20	12.9	25	2.5
23X28X200	200	98.5	98.5	52	23	15.9	28	3
28X37X260	260	129	129	67.5	28	18.9	37	2



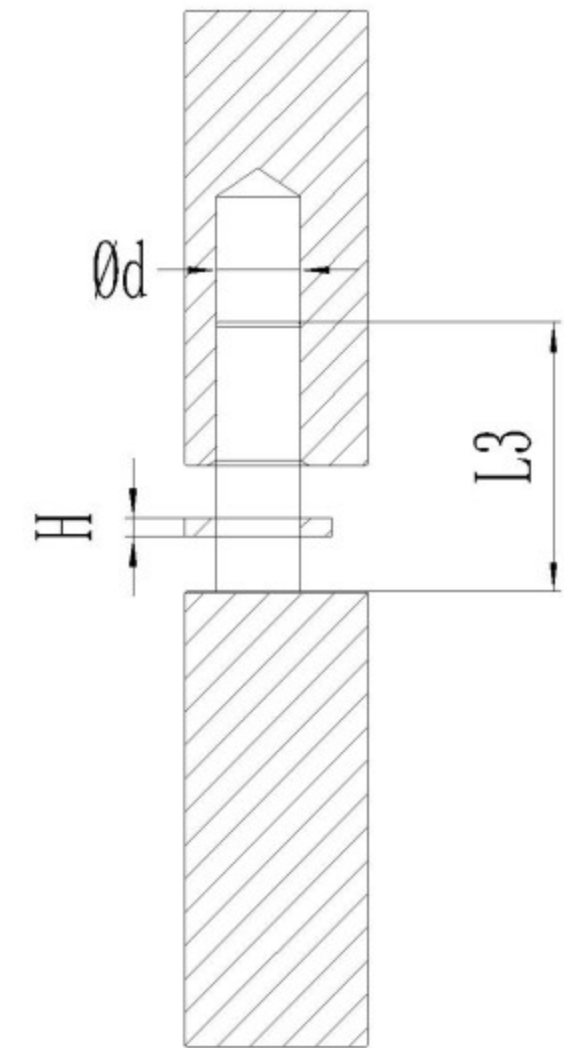
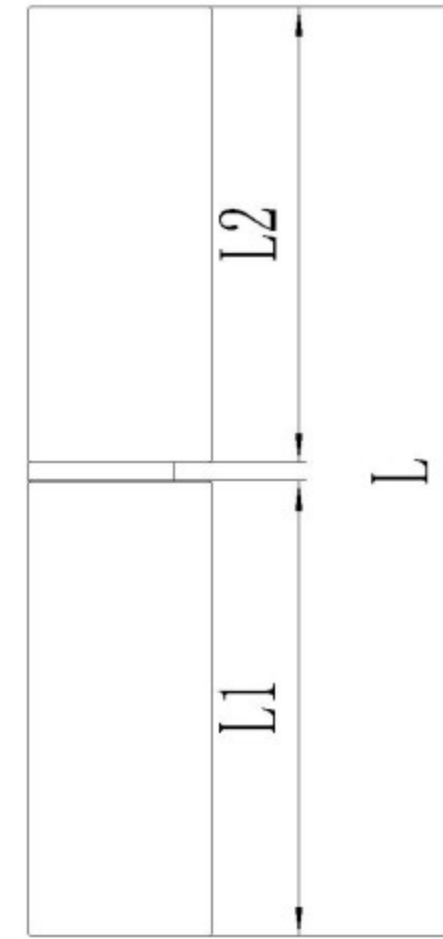
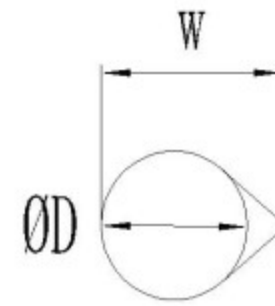
Model: round hinge

NO.	L	L1	L2	L3	ΦD	Φd	H
10X60	60	29	29	16	10	6	2
12X60	60	29	29	16	12	7	1.5
12X70	70	34	34	16	12	7	2
12X80	80	39	39	17	12	7	2
14X80	80	39	39	24	14	8	2
14X100	100	49	49	24	14	8	2
16X80	80	39	39	24	16	9	2
16X100	100	49	49	24	16	9	2
16X120	120	59	59	27	16	9	2
18X100	100	49	49	27	18	10	2
18X110	110	54	54	27	18	10	2
18X120	120	59	59	31	18	10	2
20X100	100	49	49	27	20	12	2
20X120	120	59	59	37	20	11	2
22X120	120	59	59	37	22	15	2
25X150	150	74	74	40	25	15	3
30X150	150	74	74	41	30	17	3
35X160	160	78	78	44	35	20	3
42X180	180	88	88	52	42	25	4



Model: round hinge

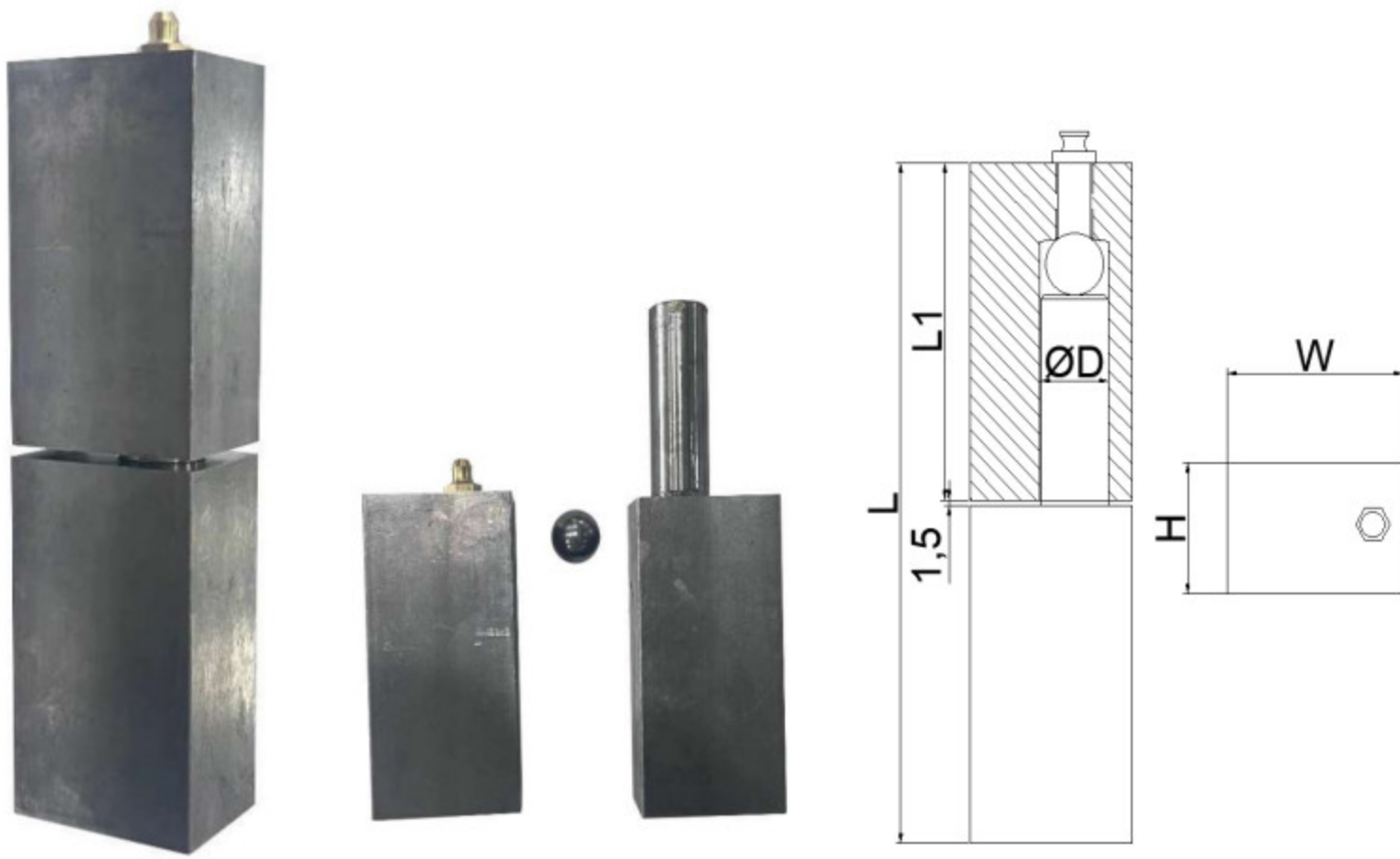
NO.	L	L1	L2	L3	ΦD	Φd	H
12X60	64	29	29	16	12	6	6
12X70	74	34	34	16	12	6	6
12X80	84	39	39	17	12	6	6
16X80	83	39	39	24	16	9	5
16X100	103	49	49	24	16	9	5
16X120	123	59	59	27	16	9	5
18X100	104	49	49	27	18	10	6
18X110	114	54	54	27	18	10	6
18X120	124	59	59	31	18	10	6
20X100	105	49	49	27	20	12	7
20X120	125	59	59	37	20	11	7
25X150	155	74	74	40	25	15	7
30X150	156	74	74	41	30	17	9
42X180	194	88	88	52	42	25	15



Model: welded hinge

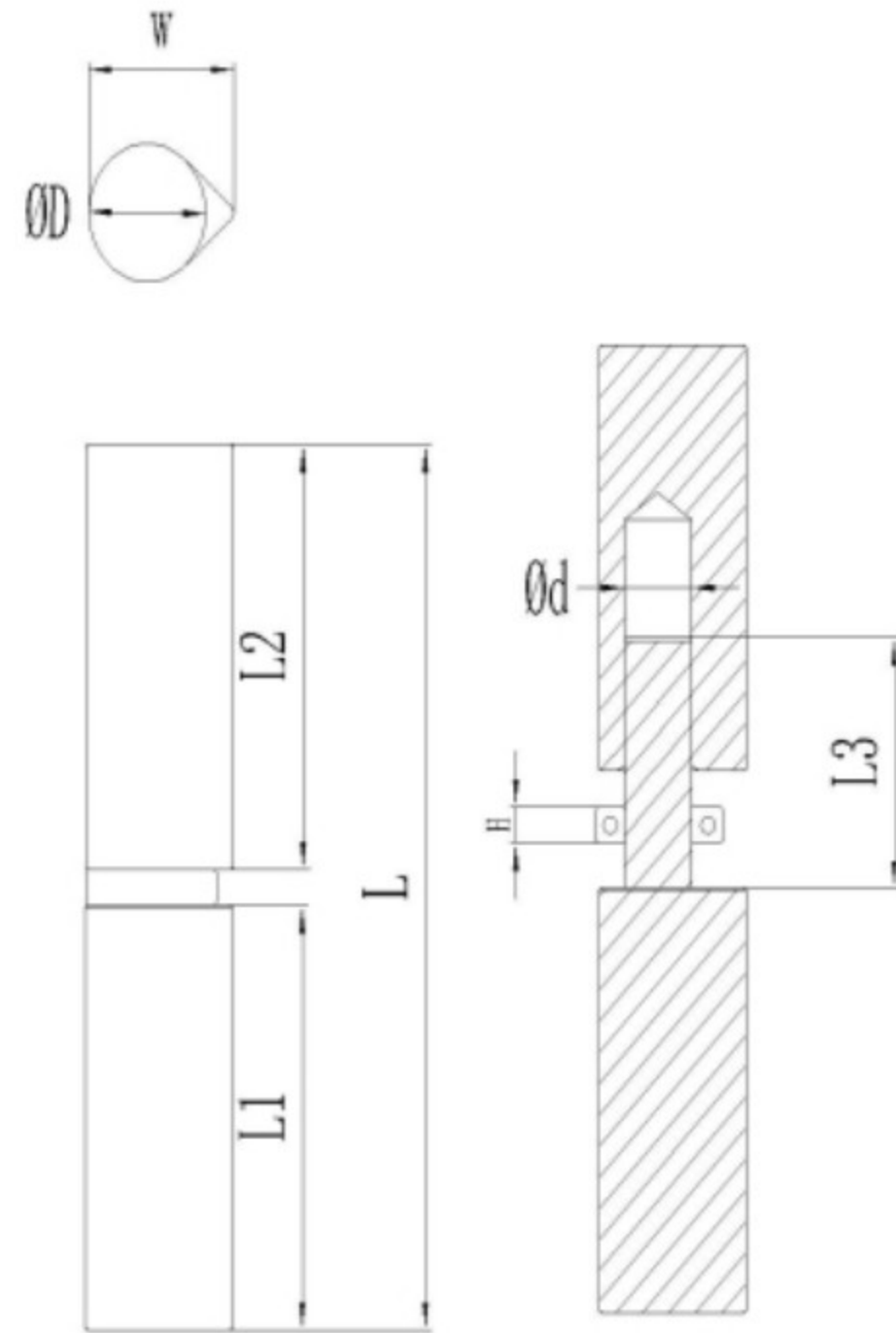
NO.	L	L1	L2	L3	ΦD	Φd	W	H
8X10X40	40	19.25	19.25	14.5	8	4.9	10	1.5
8X10X50	50	24.25	24.25	14.5	8	4.9	10	1.5
10X12X60	60	29	29	17	10	5.9	12	2
11.5X13.2X70	70	34	34	21	11.5	5.9	13.2	2
13X15.5X80	80	39	39	22	13	7.9	15.5	2
16X20X100	100	48.75	48.75	31	16	9.9	20	2.5
16X20X120	120	58.75	58.75	31	16	9.9	20	2.5
18X21X135	135	66.25	66.25	38	18	11.9	21	2.5
18X22X135	135	66.25	66.25	38	18	11.9	22	2.5
20X25X150	150	73.75	73.75	38	20	12.9	25	2.5
20X25X180	180	88.75	88.75	48	20	12.9	25	2.5
23X28X200	200	98.5	98.5	52	23	15.9	28	3
28X37X260	260	129	129	67.5	28	18.9	37	2

Welded Hinge



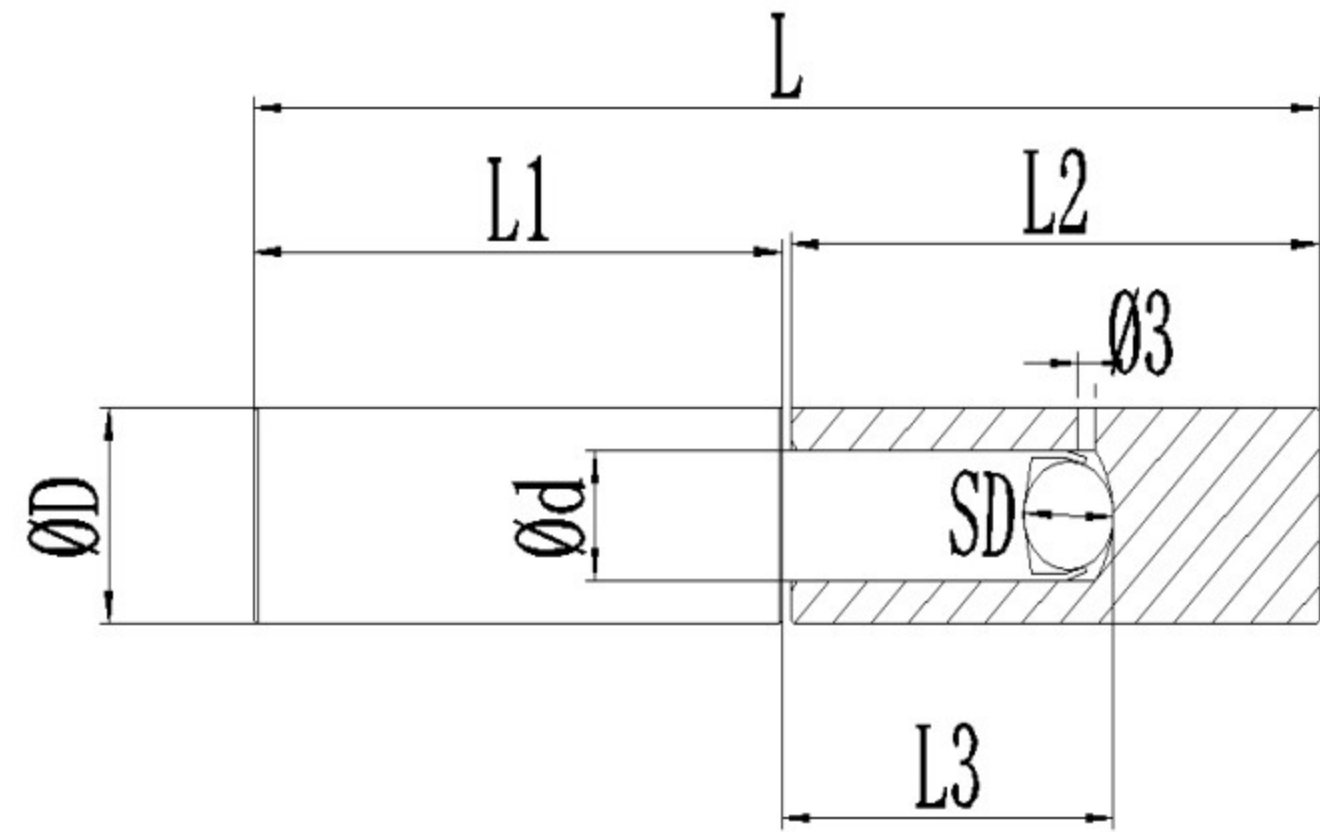
NO.	L	L1	ØD	W	H
680215	126.5	63	16	32	25
680216	177.5	88	19	45	32

Model: 6802series



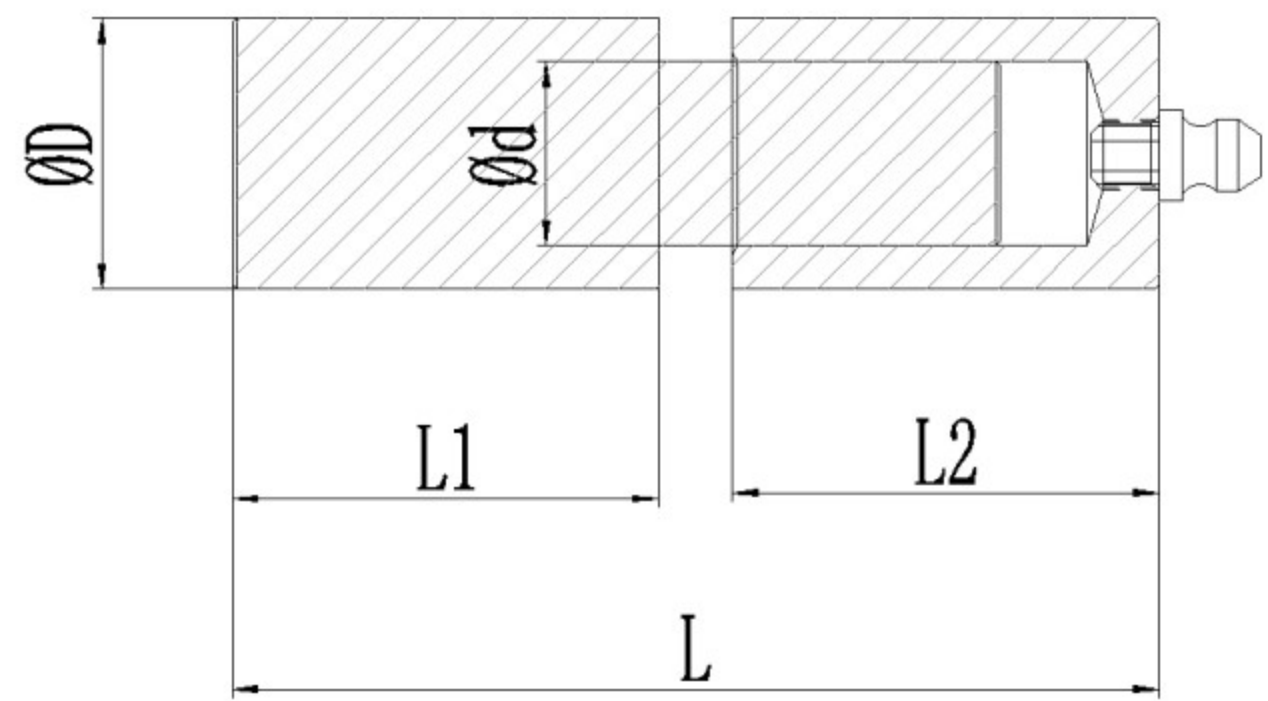
Model: welded hinge

NO.	L	L1	L2	L3	ØD	Ød	W	H
16X20X100	103	49	49	31	16	7	20	5
16X20X120	123	59	59	31	16	7	20	5
18X21X135	139	63	63	38	18	7	21	6
18X22X135	139	63	63	38	18	9	22	6
20X25X150	154	74	74	38	20	9	25	7
20X25X180	187	89.5	89.5	48	20	9	25	7
23X28X200	206	98.5	98.5	52	23	10	28	9



Model: welded hinge

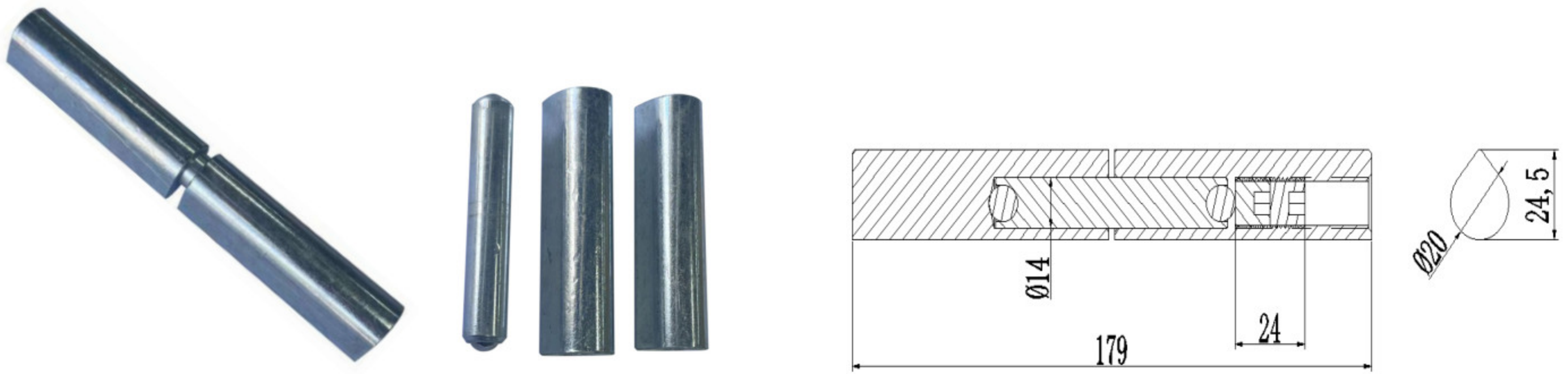
NO.	L	L1	L2	L3	ΦD	Φd	SD
010126	119.5	59	59	38	20	12	10
010127	149.5	74	74	42	25	15	12
010140	149.5	74	74	44	30	17	14



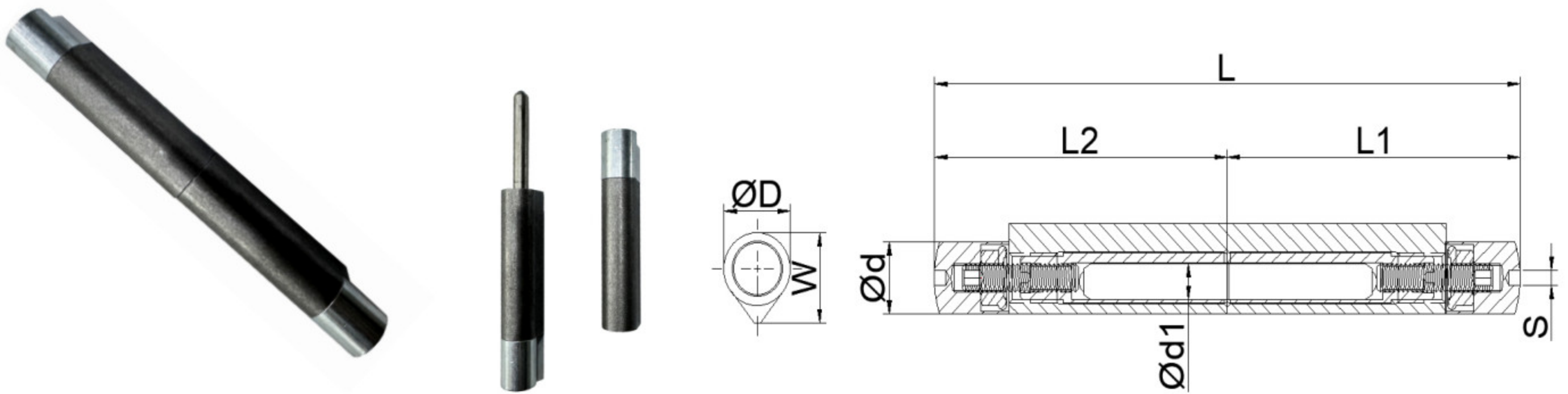
Model: welded hinge

NO.	L	L1	L2	L3	ΦD	Φd
20X60	60	30	30	16	20	10
20X100	100	50	50	40	20	11.8
25X100	100	50	50	40	25	14
32X100	100	50	50	40	32	21.8

Welded Hinge

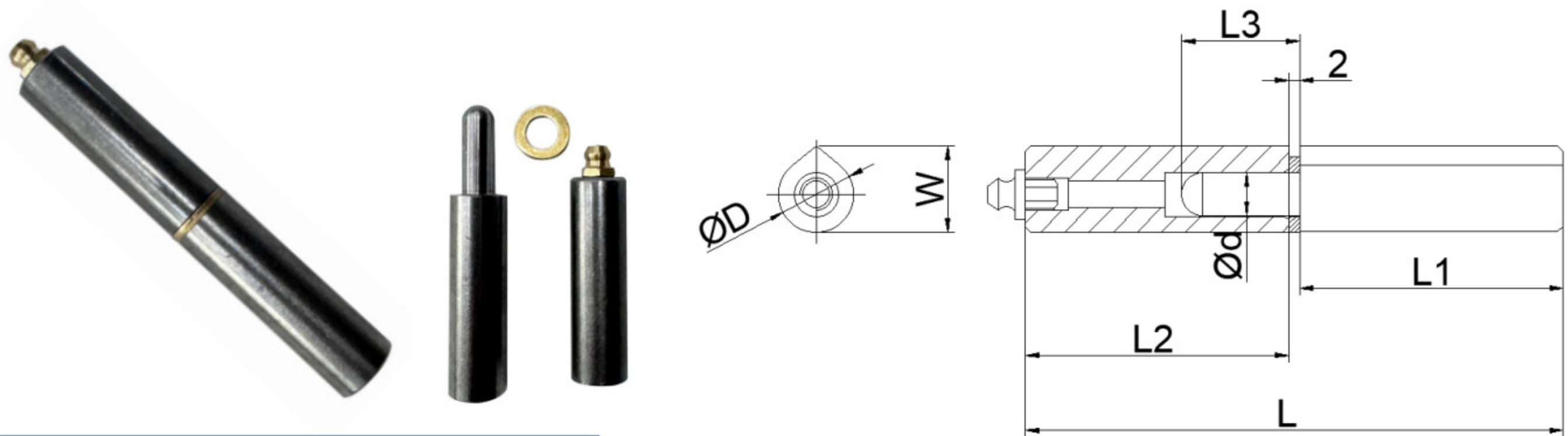


Model: 350809



Model: welded hinge

NO.	L	L1	L2	ΦD	Φd	Φd1	W	S
540401	145-155	54	54	16	16	7	20	4
540402	177-187	66	66	20	20	10	25	4



Model: welded hinge

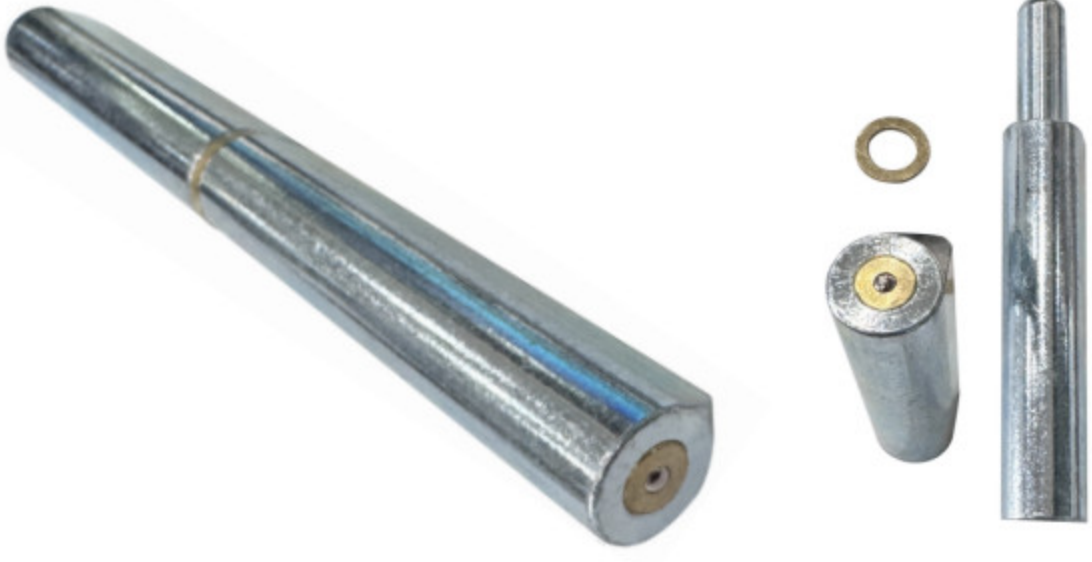
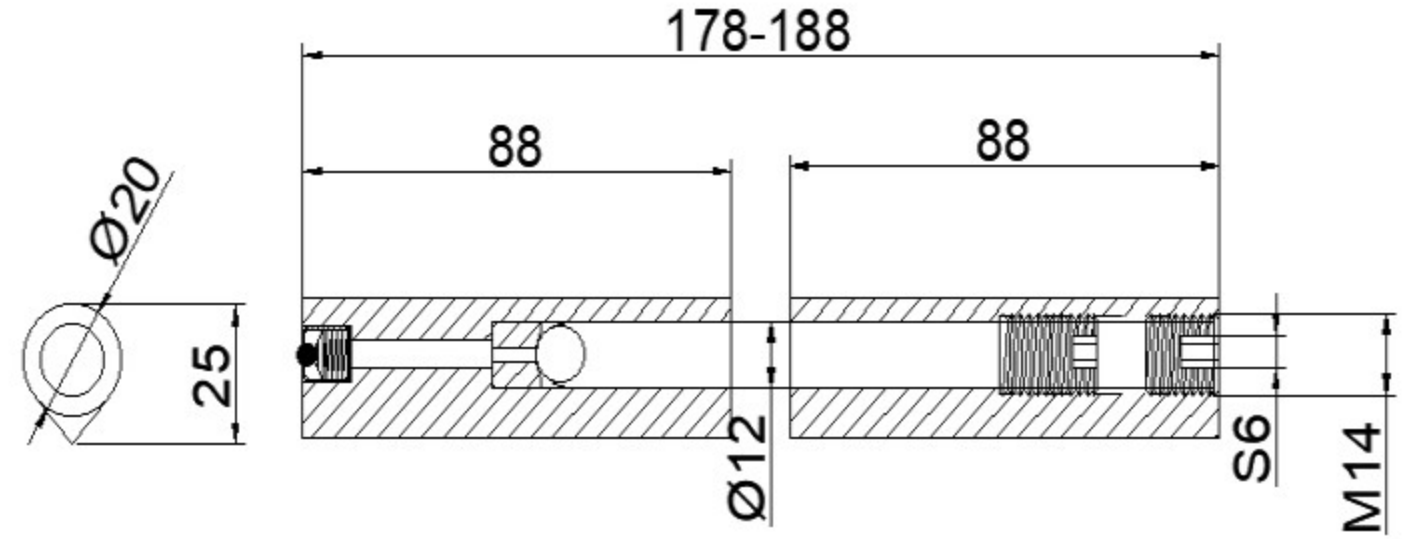
NO.	L	L1	L2	L3	ΦD	Φd	W
350615	100	49	49	16	14	8	16
350616	120	59	59	24	14	8	16
350617	140	69	69	26	14	8	16
350618	160	79	79	28	14	8	16
350619	180	89	89	30	14	8	16



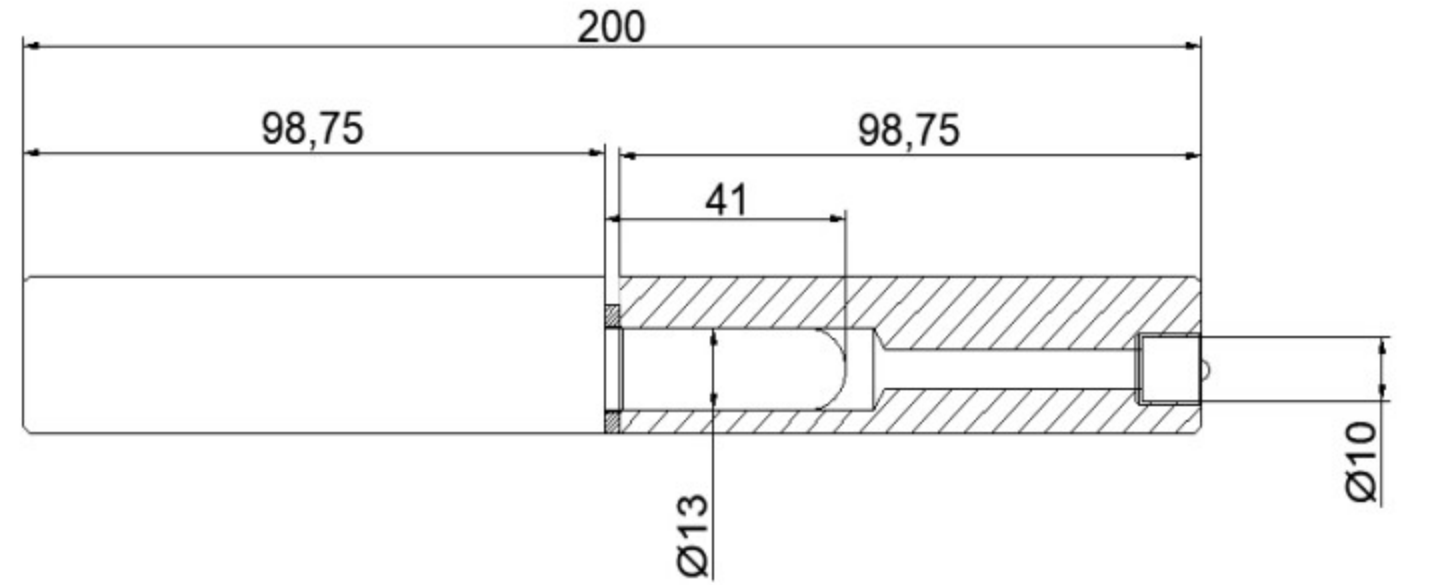
Welded Hinge



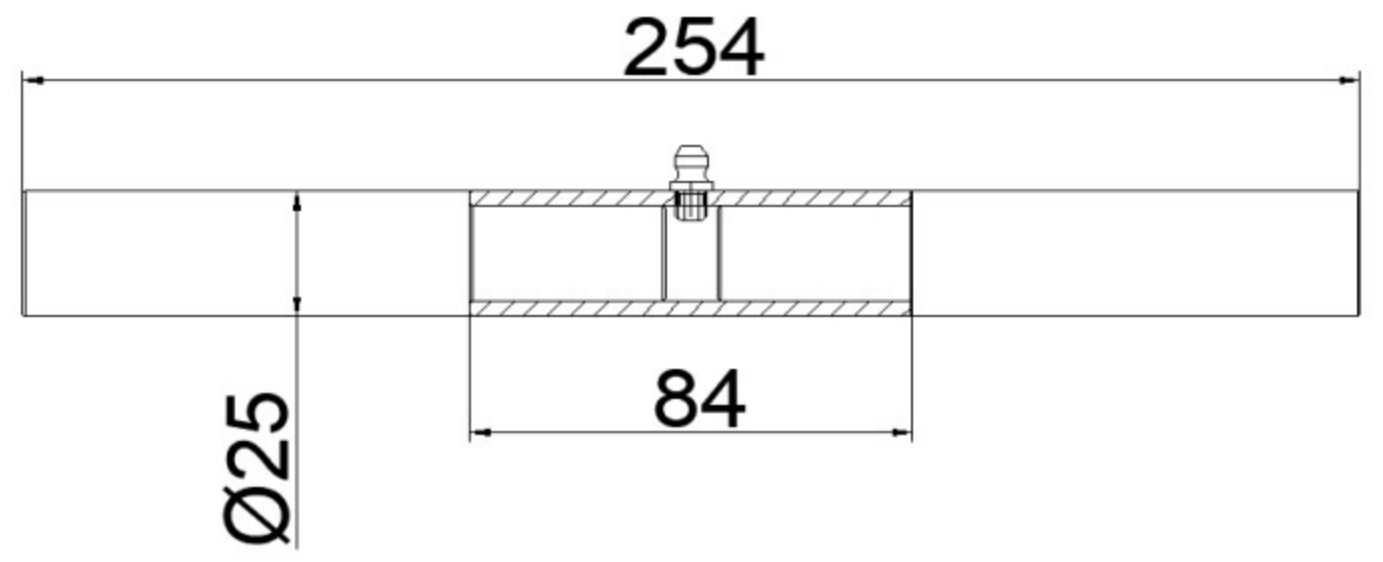
Model: 350228



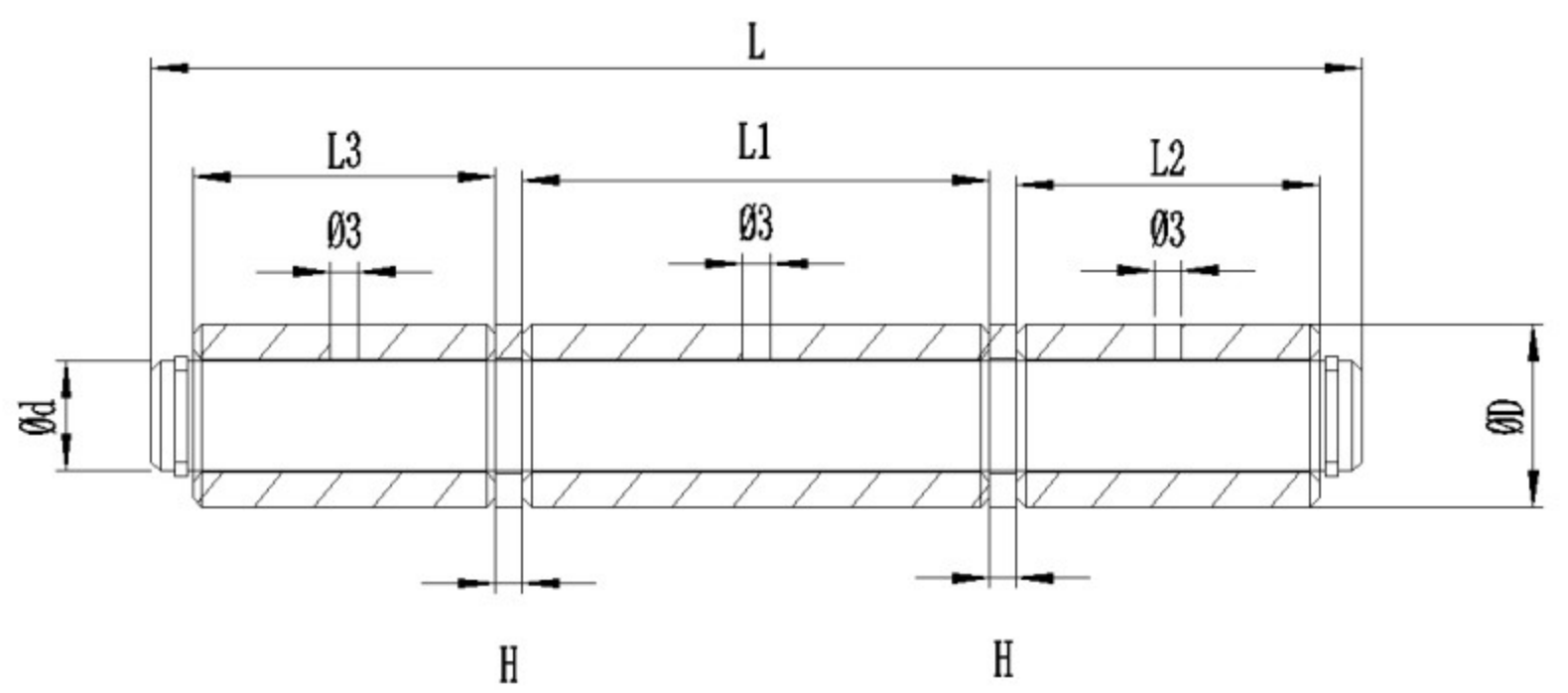
Model: 350609



Model: 150405

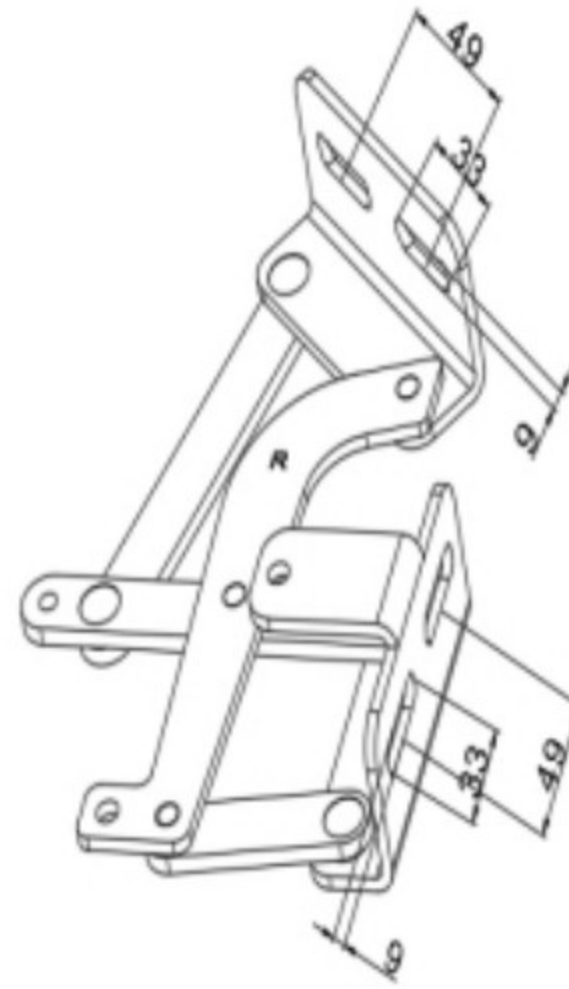


Model: 0103series



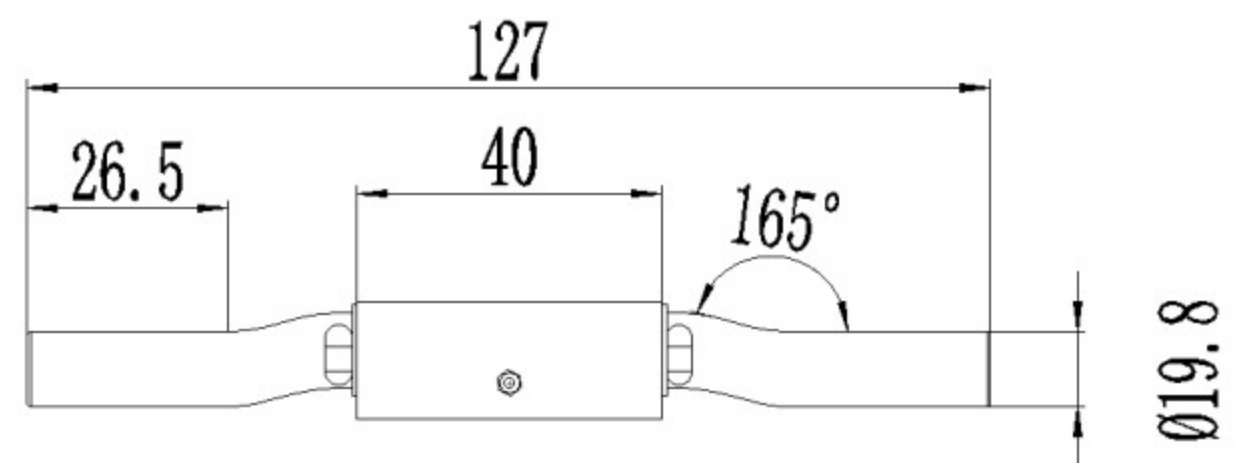
NO.	L	L1	L2	L3	ΦD	Φd	H
010302	132	51	33	33	20	12	3
010303	150	60	35	35	25	16	3
010301	192	60	55	55	35	20	3

Welded Hinge

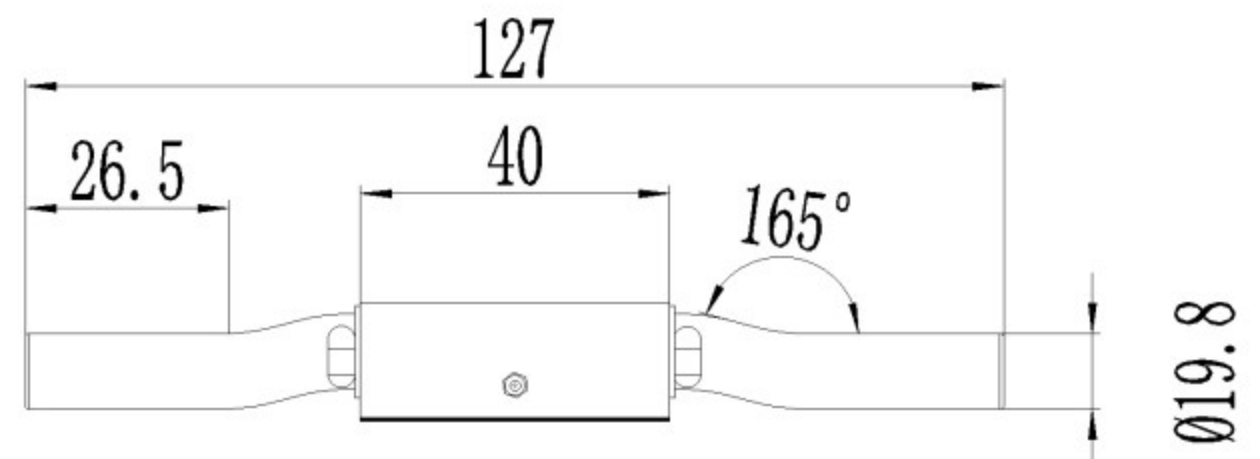


Model: 350810L

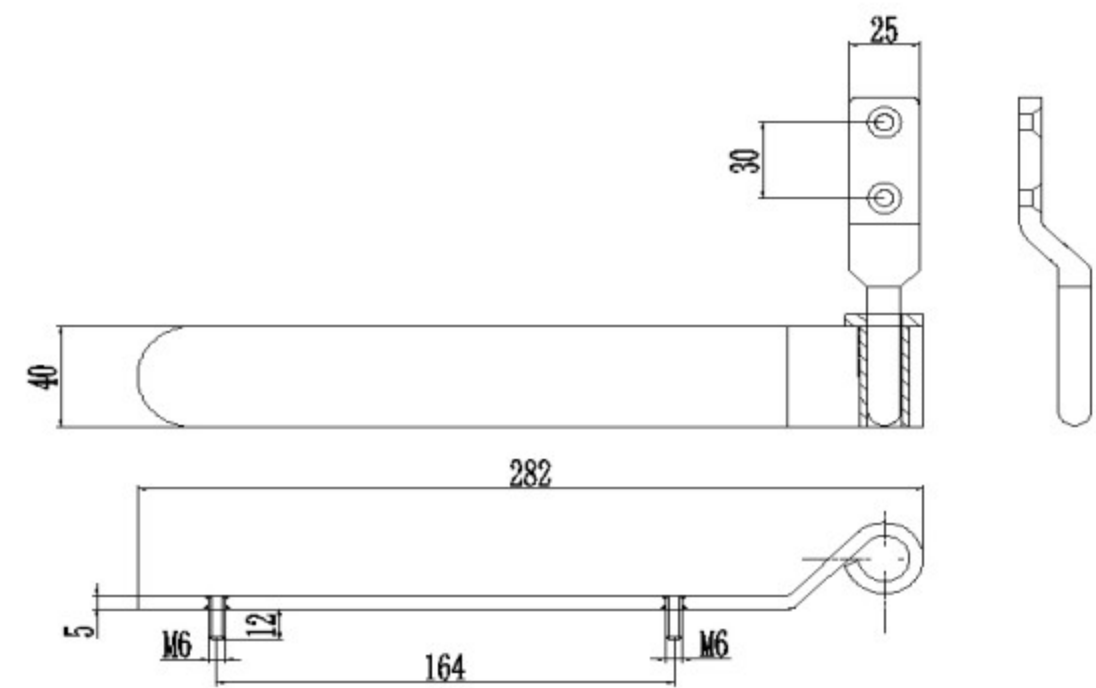
Model: 350810R



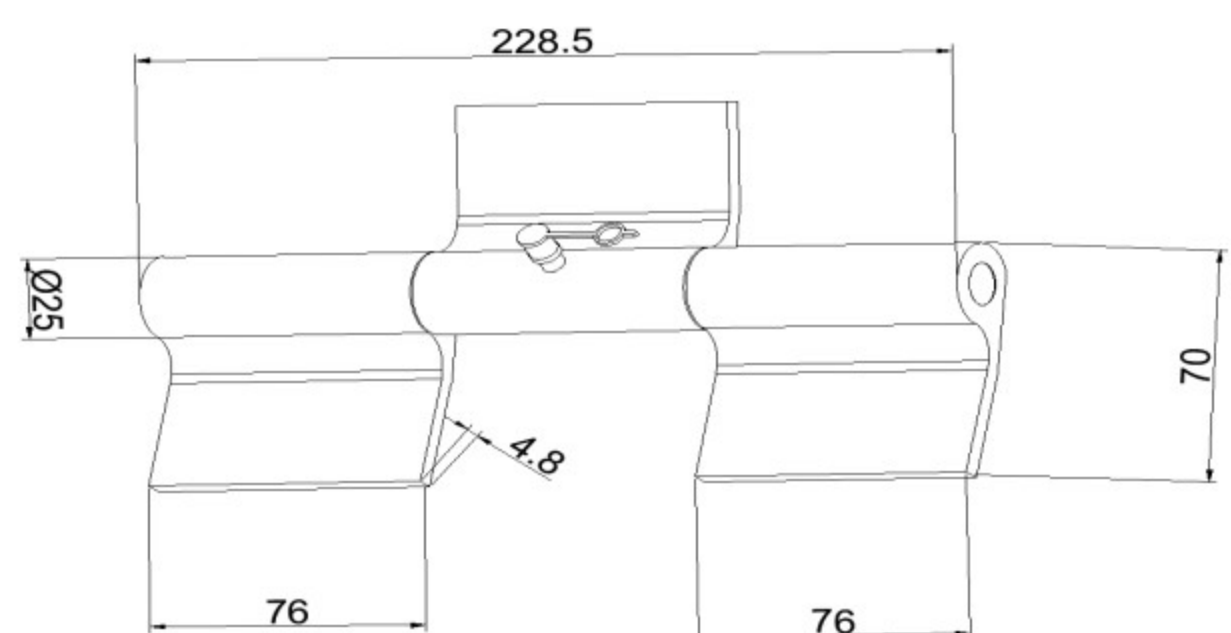
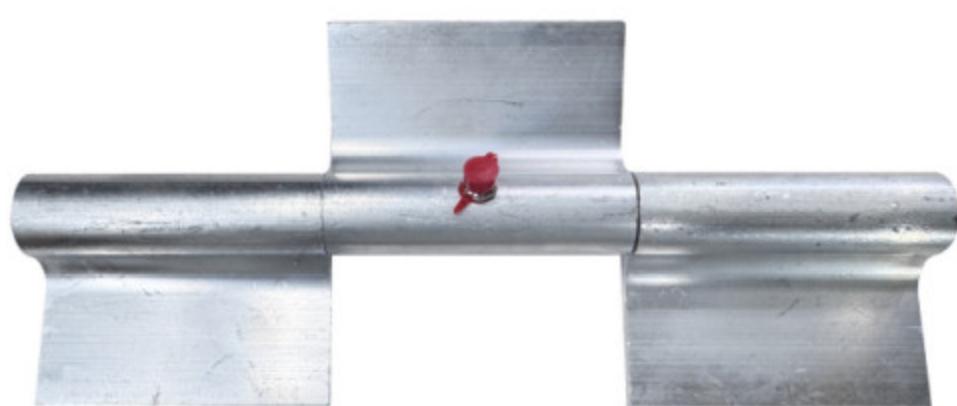
Model: 490101



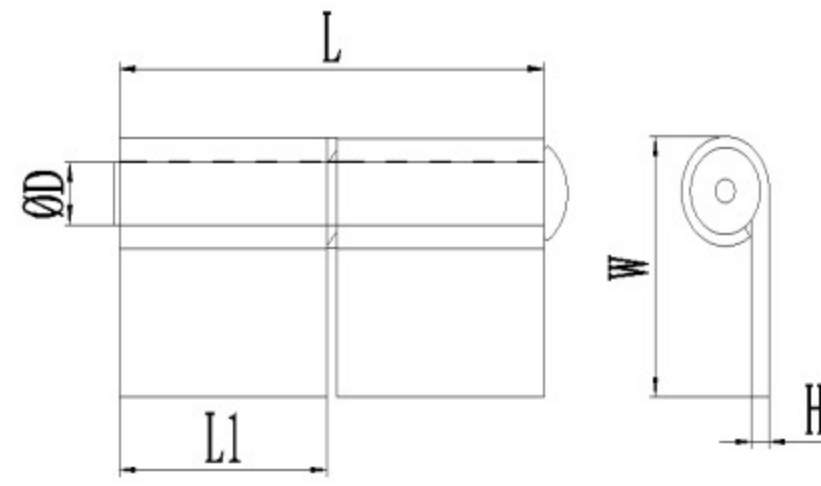
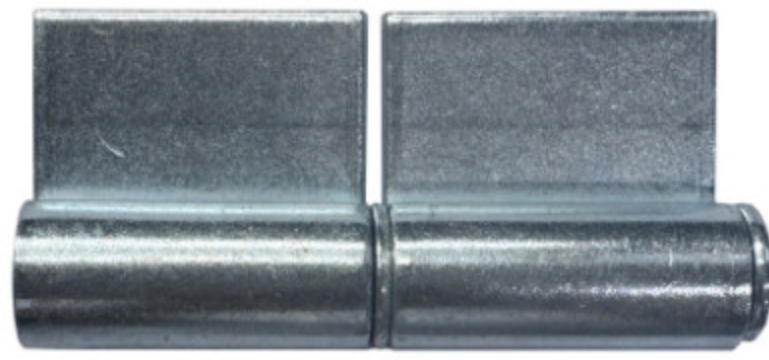
Model: 490101B



Model: 490111

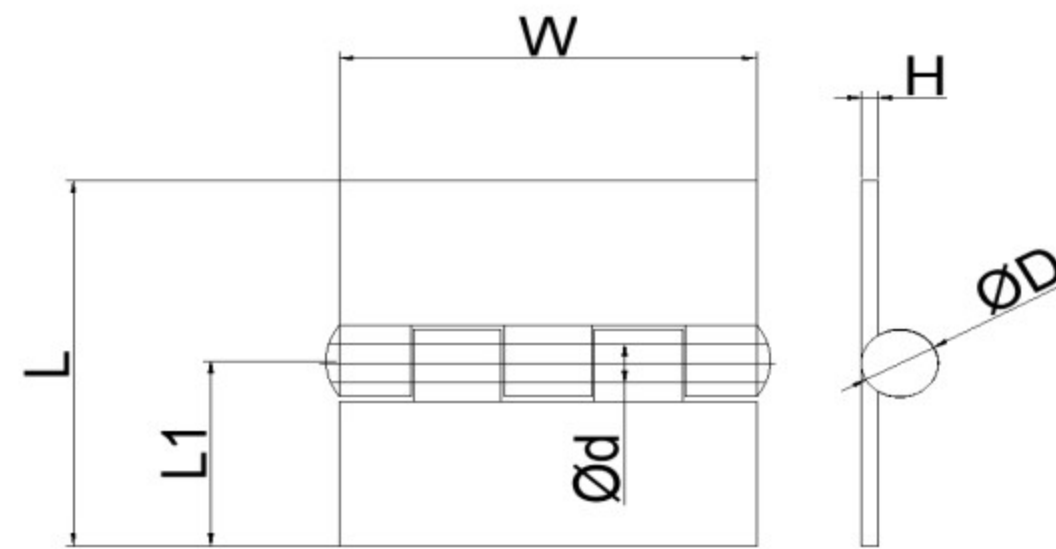
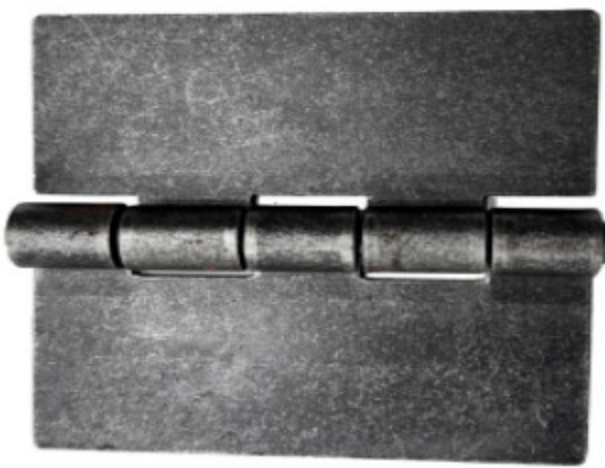


Model: 350741



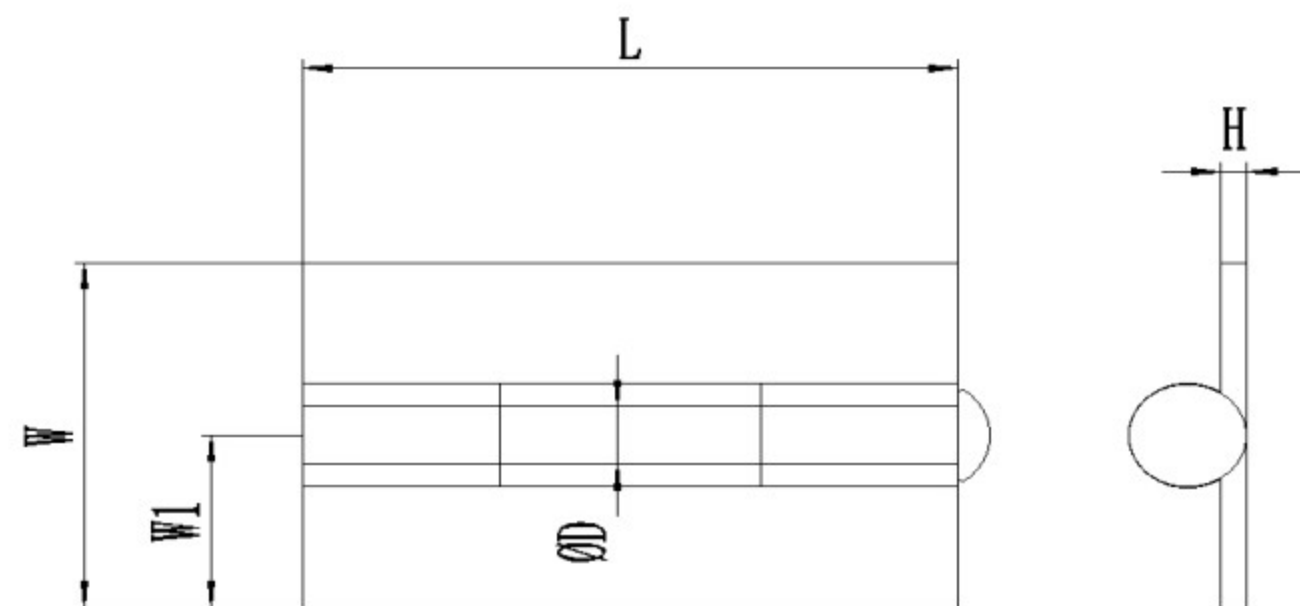
NO.	L	L1	ΦD	H	W
360108	80	40	10	3.5	40
360109	100	50	15	5	40
360111	54	27	8	2	27

Model: 3601series



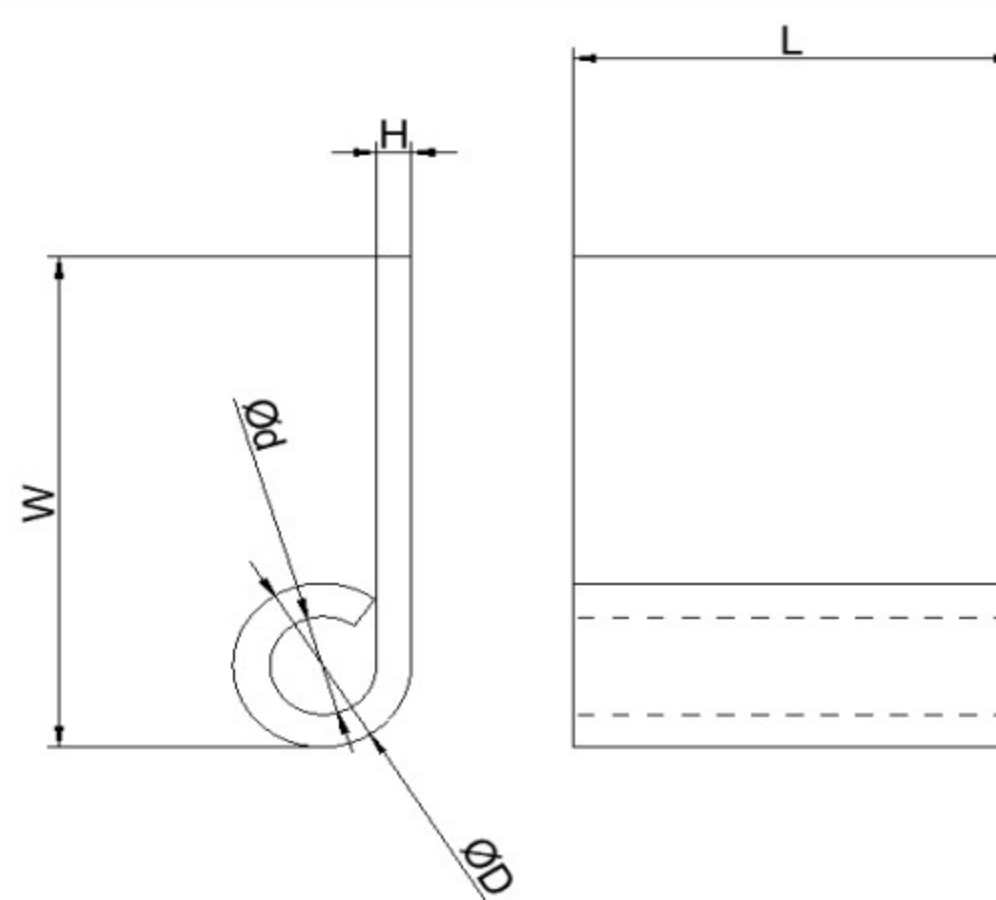
Model: 0202series

NO.	L	L1	W	ΦD	H
350433	76	38	76	8	2.7
020201	76	38	76	8	3
020204	102	51	102	9.5	4.5
020205	127	63.5	127	9.5	4.5
020206	152	76	152	9.5	4.5



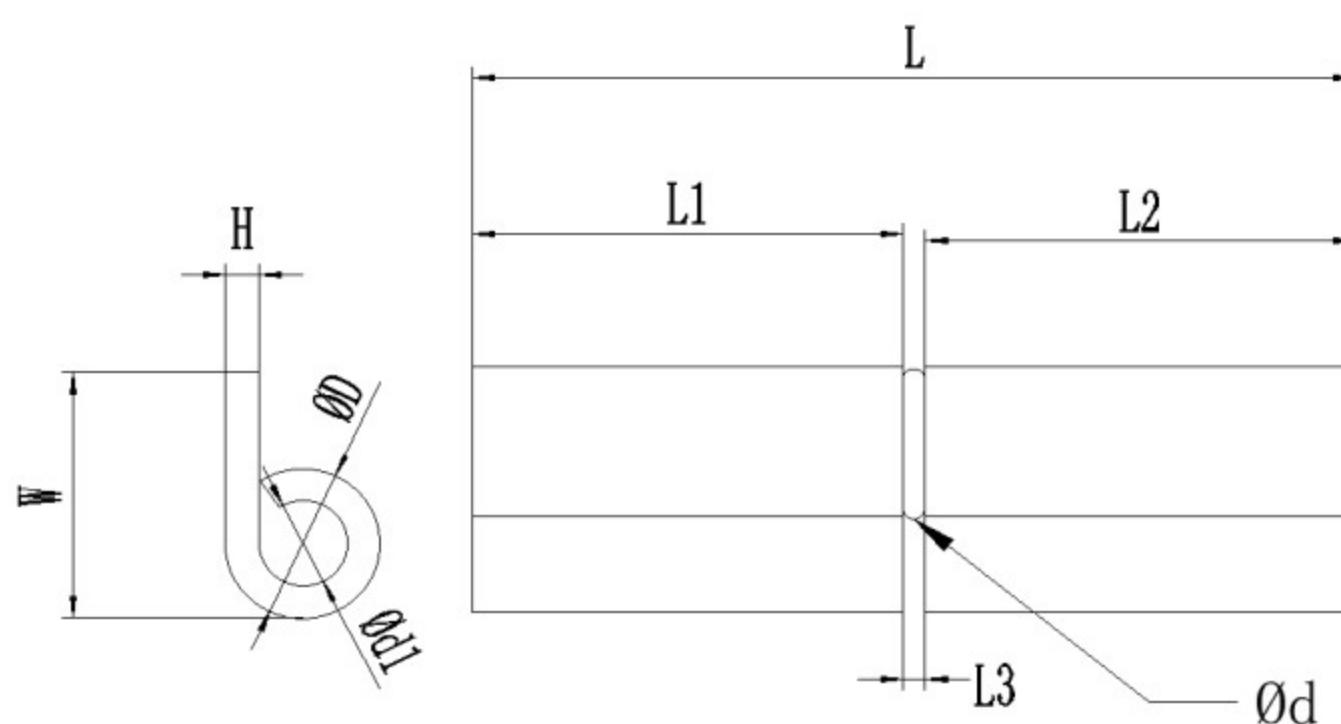
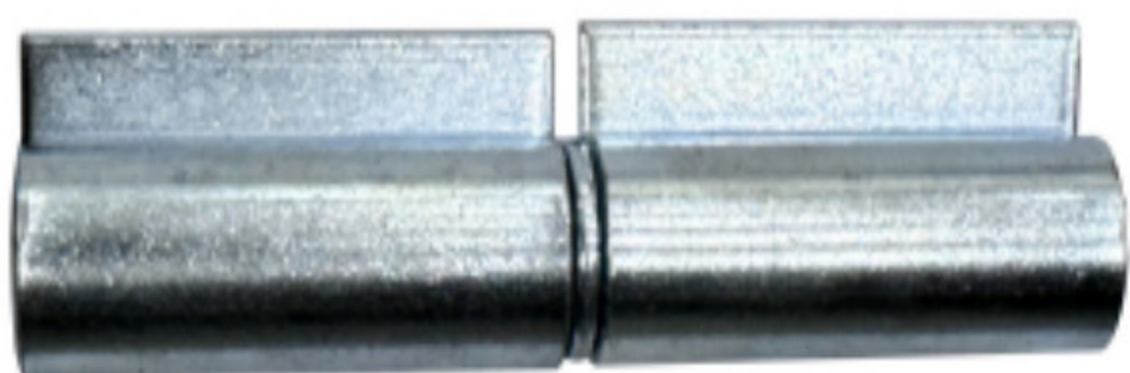
Model: 0106series

NO.	L	W	W1	ΦD	H
010603	80	50	25	10	3
010602	100	60	30	10	4
360106	120	60	30	10	4
010601	150	60	30	10	4



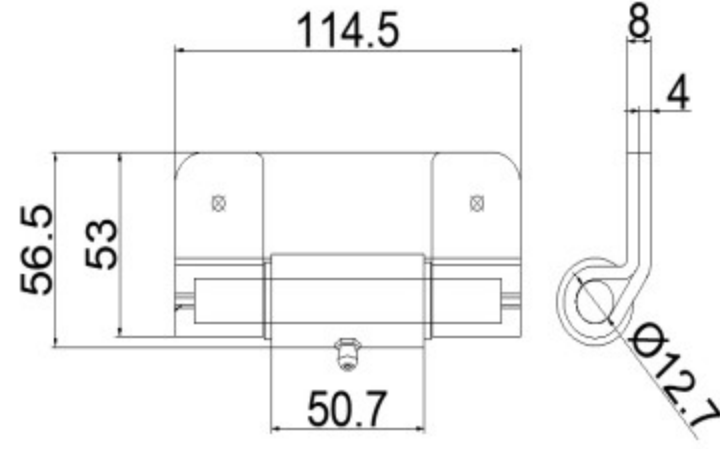
Model: 0107series

NO.	L	W	ØD	Ød	H
010716	75	60	20	12	4
010717	50	60	20	12	4
010721	65	50	20	12	4
010723	75	65	20	12	4

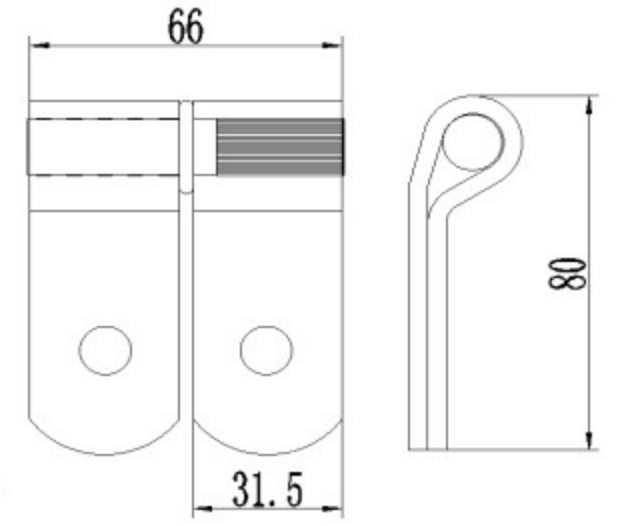


Model: 0106series

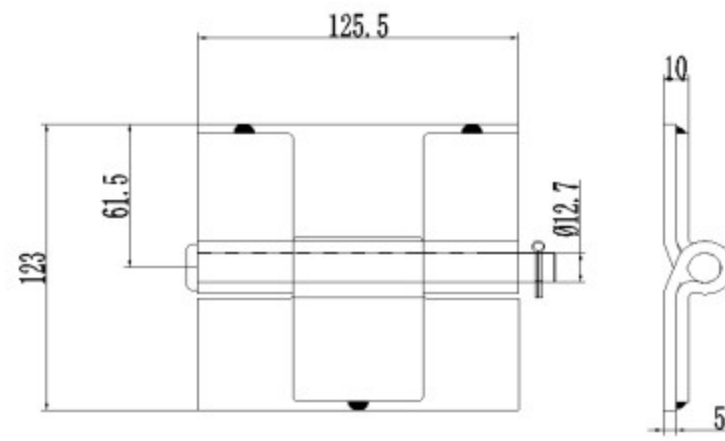
NO.	L	L1	L2	L3	W	ØD	Ød	Ød1	H
010604	100	49	49	2	25	16	16	10	3
010605	110	53.5	53.5	3	27	16	18	10	4
010606	80	39	39	2	23	14	14	8	3
010607	80	39	39	2	21	12	12	8	2
010618	120	58.5	58.5	3	29	20	20	12	4
010619	80	39	39	2	17	14	14	8	3
010620	80	39	39	2	15.5	12	12	8	2
010928	139	68	68	3	36.5	25	14.5	23	5
010929	113	55	55	3	36.5	25	14.5	23	5



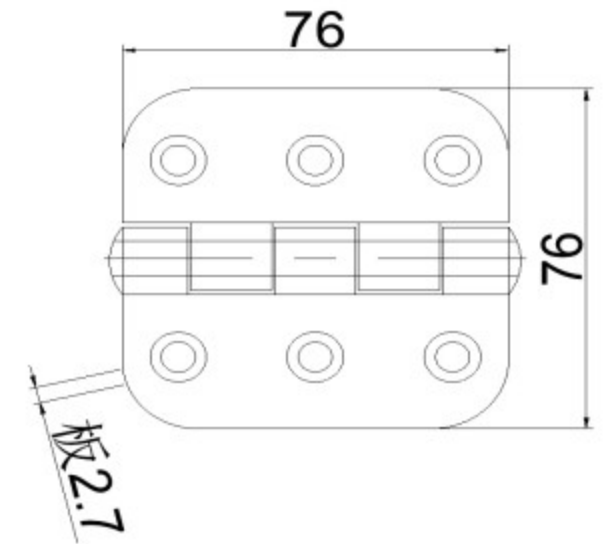
Model: 300116



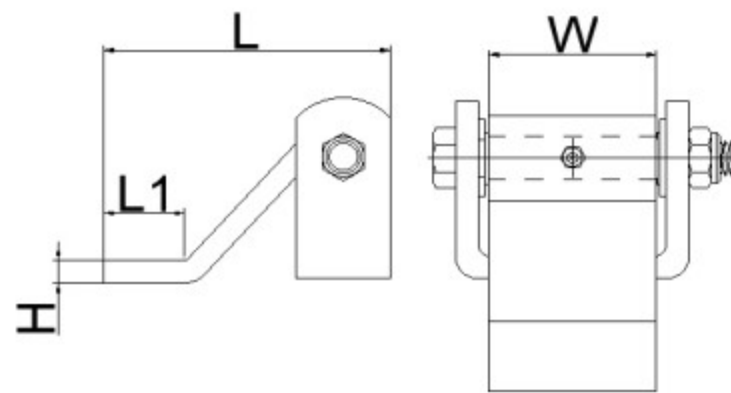
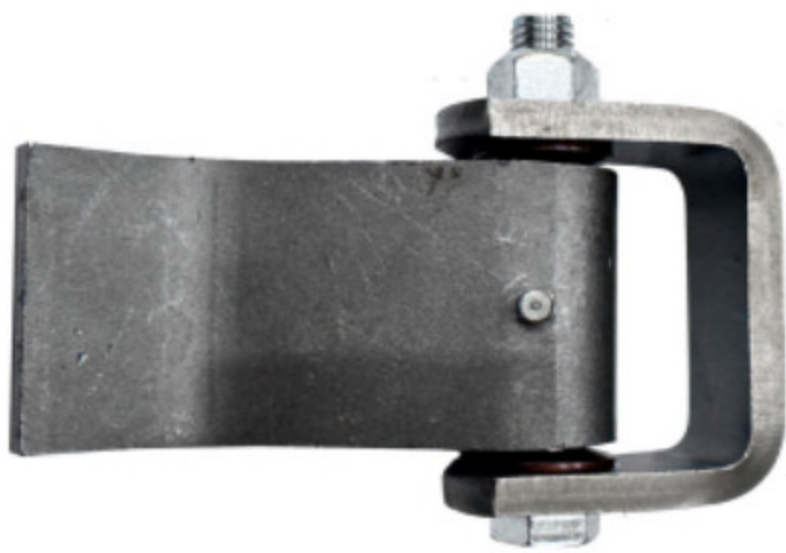
Model: 020338



Model: 020322

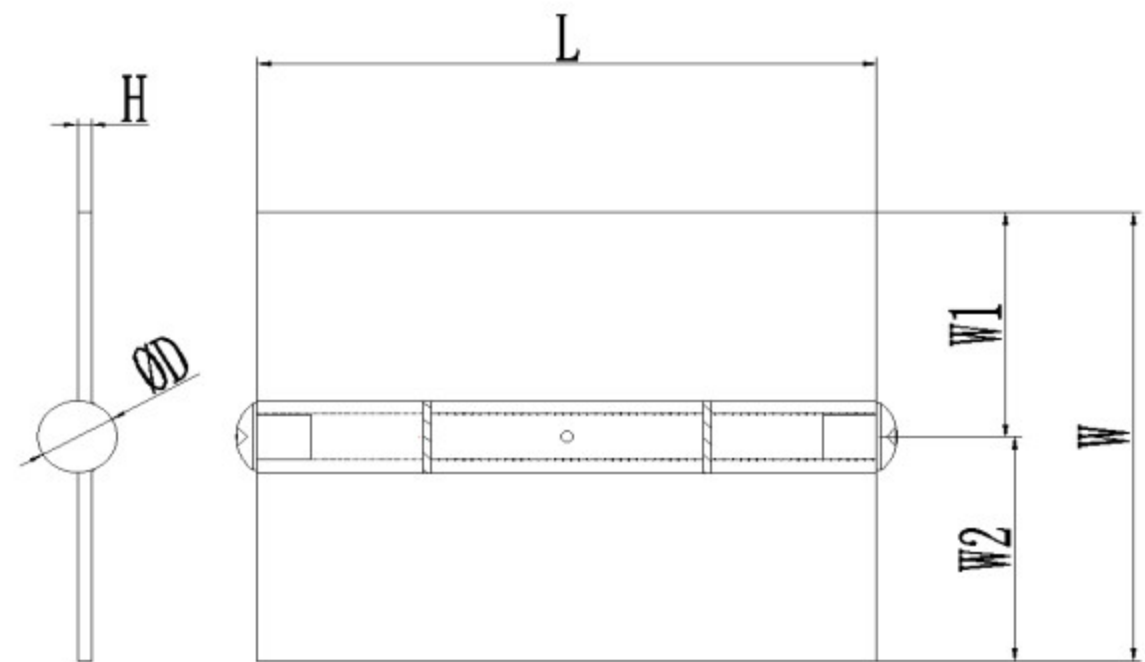


Model: 350707



NO.	L	L1	W	H
680118	102	27	57	7.75
150503	155	80	60	7.5

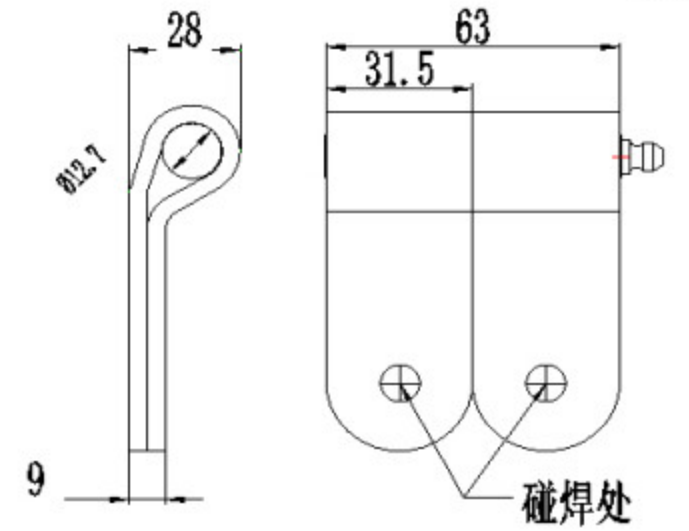
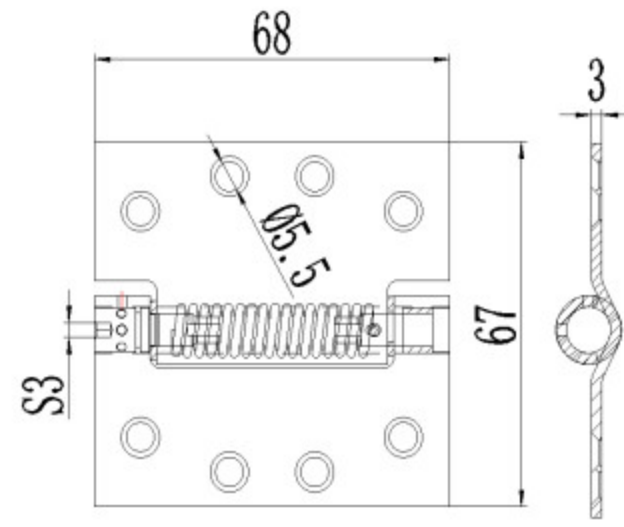
Model: 6801series



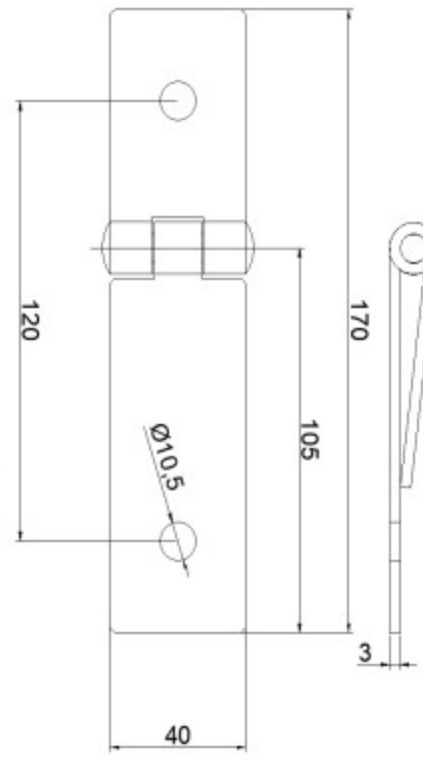
Model: 0108series

NO.	L	W	W1	W2	ΦD	H
010817	150	100	50	50	19	3.5
010818	150	140	70	70	19	3.5
010819	150	120	60	60	19	3.5
010820	150	160	100	60	19	3.5

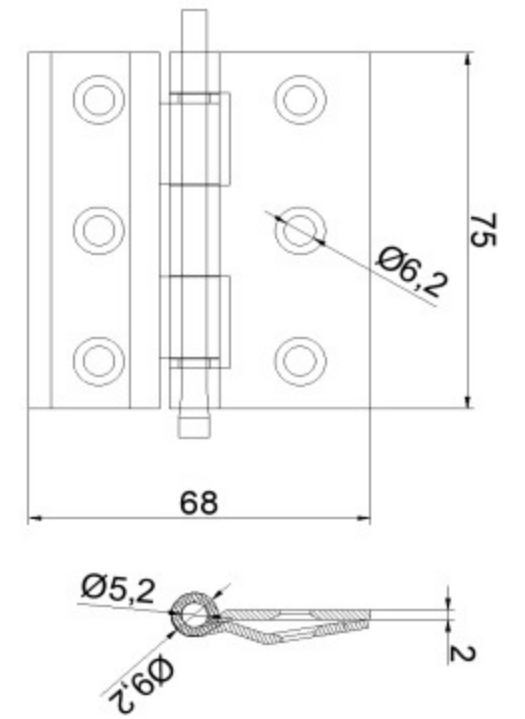
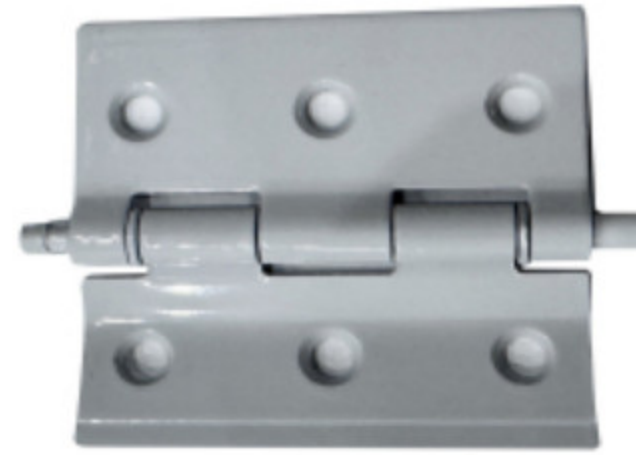
Hinge



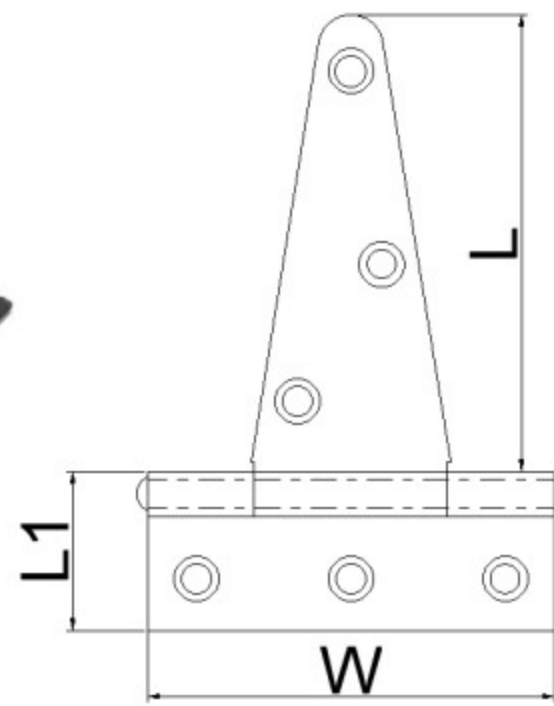
Model: 020203



Model: 490207



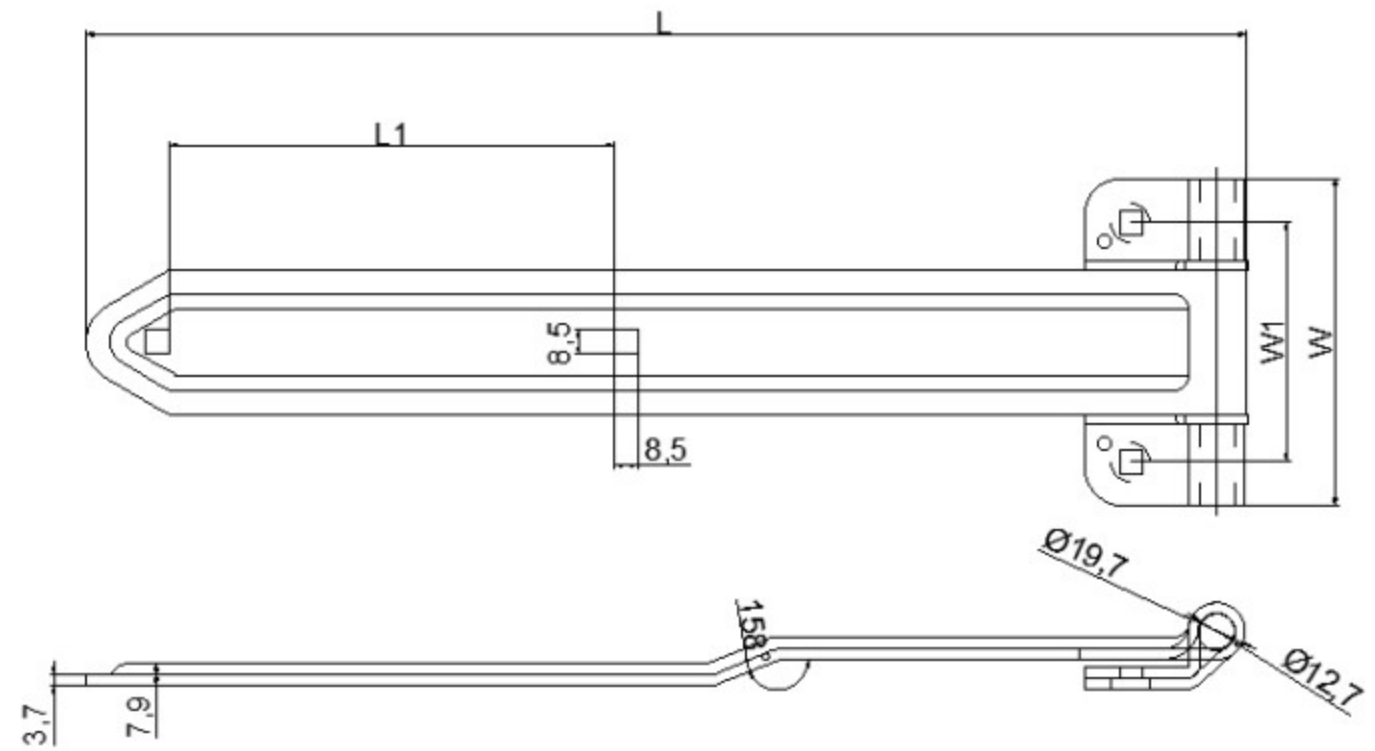
Model: 020627



Model: 100810

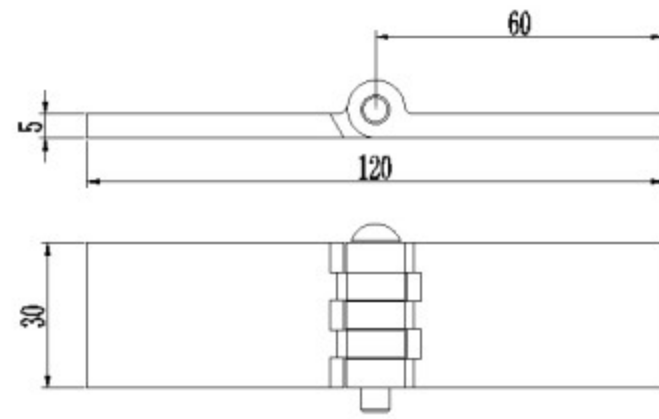
NO.	L	L1	W
350730	100	20	63
350731	125	25	70

Model: 3507series

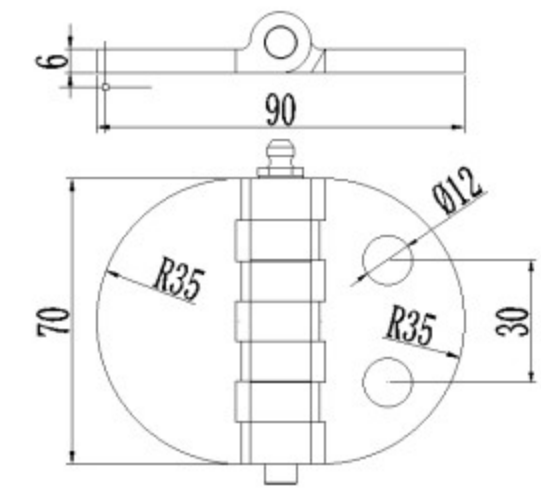
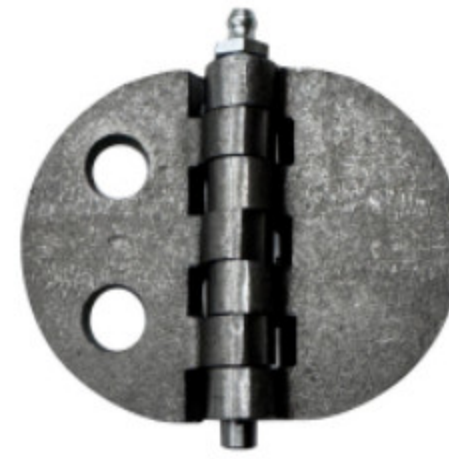


Model: 5004series

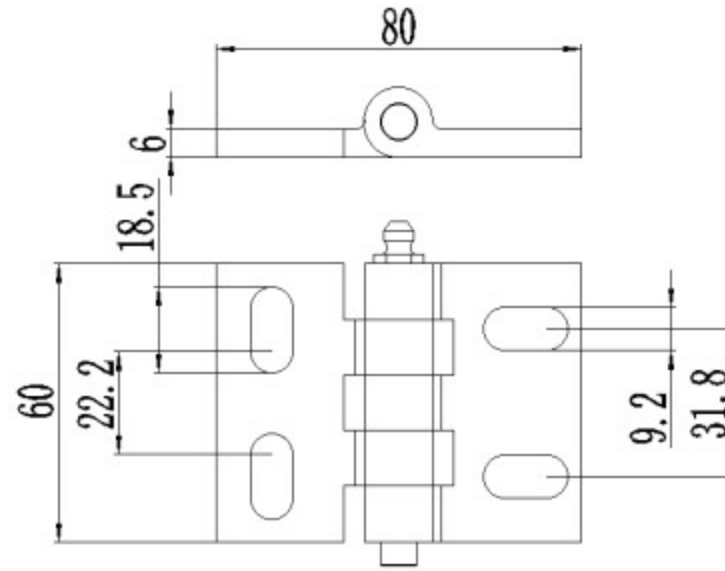
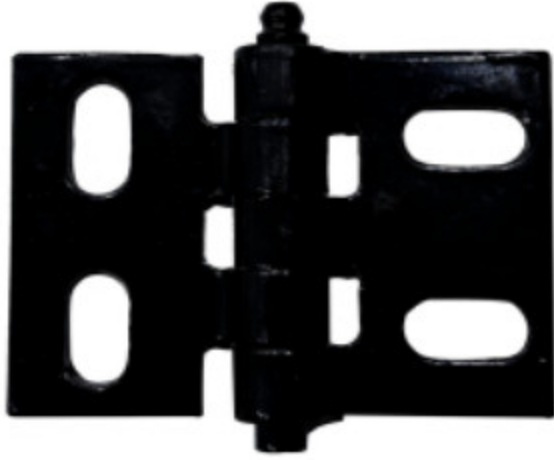
NO.	L	L1	W	W1
490216	103	38	114	83
500404-8	215	75	114	83
500404	404	154.5	114	83



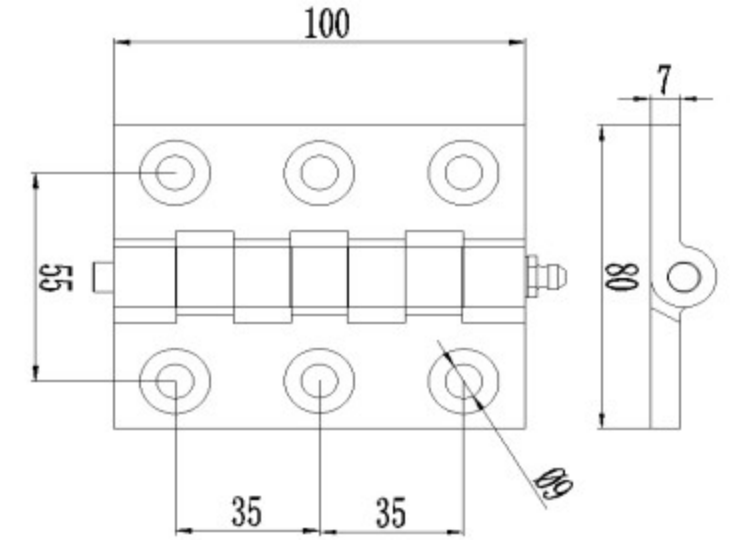
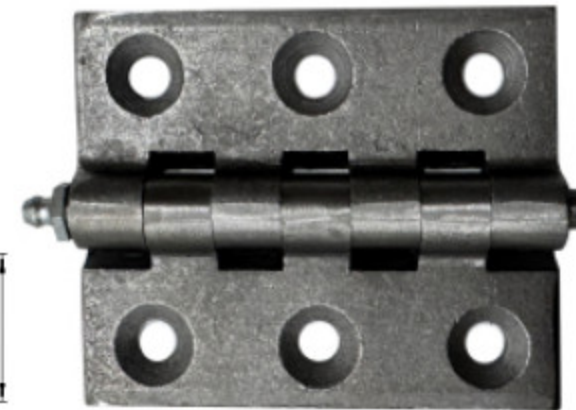
Model: 320408



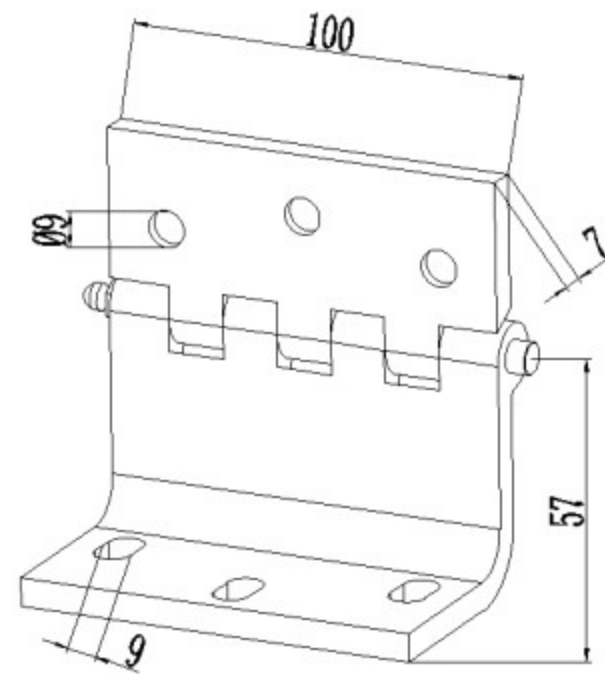
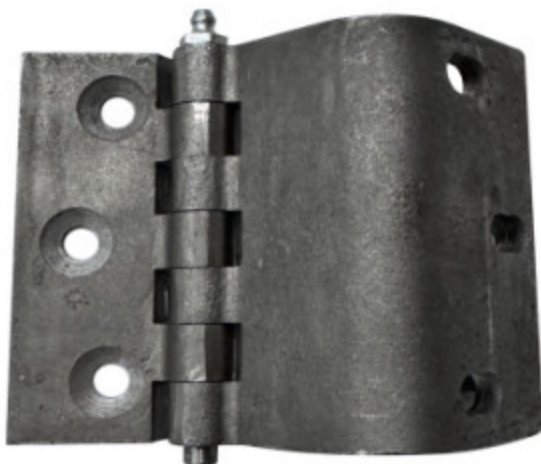
Model: 320414



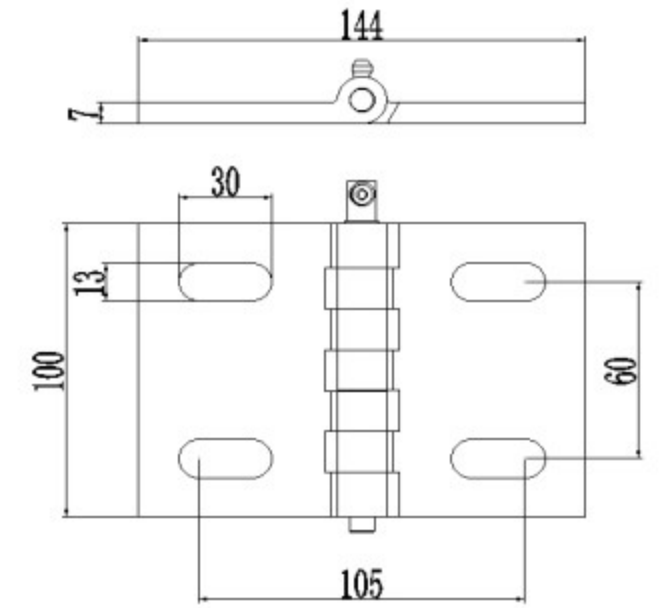
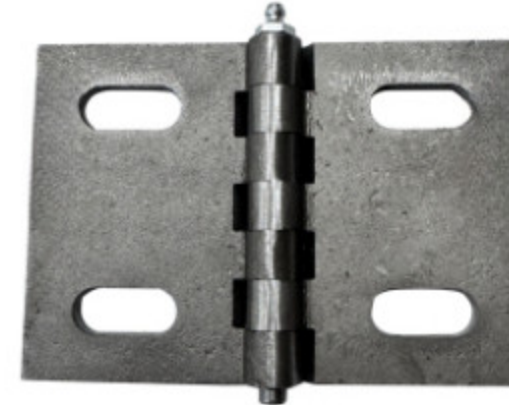
Model: 320412



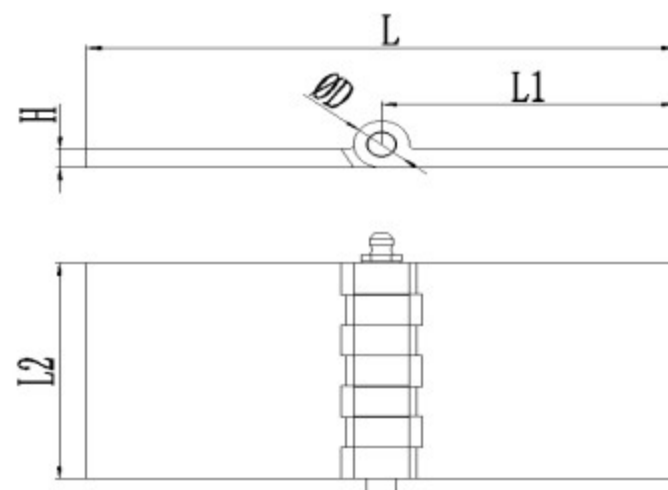
Model: 320411



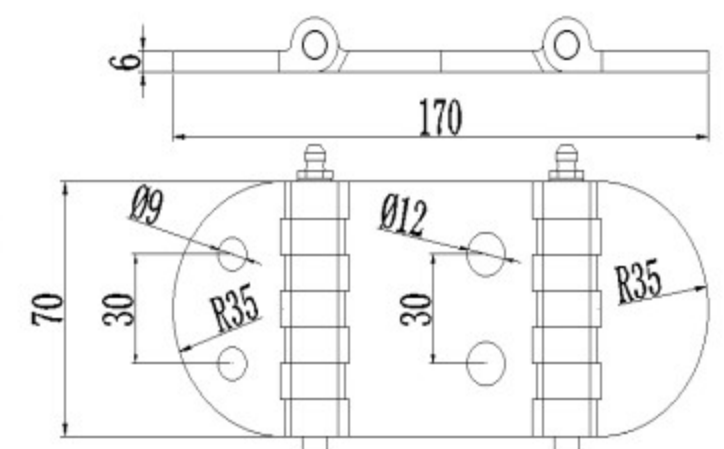
Model: 320403



Model: 320418

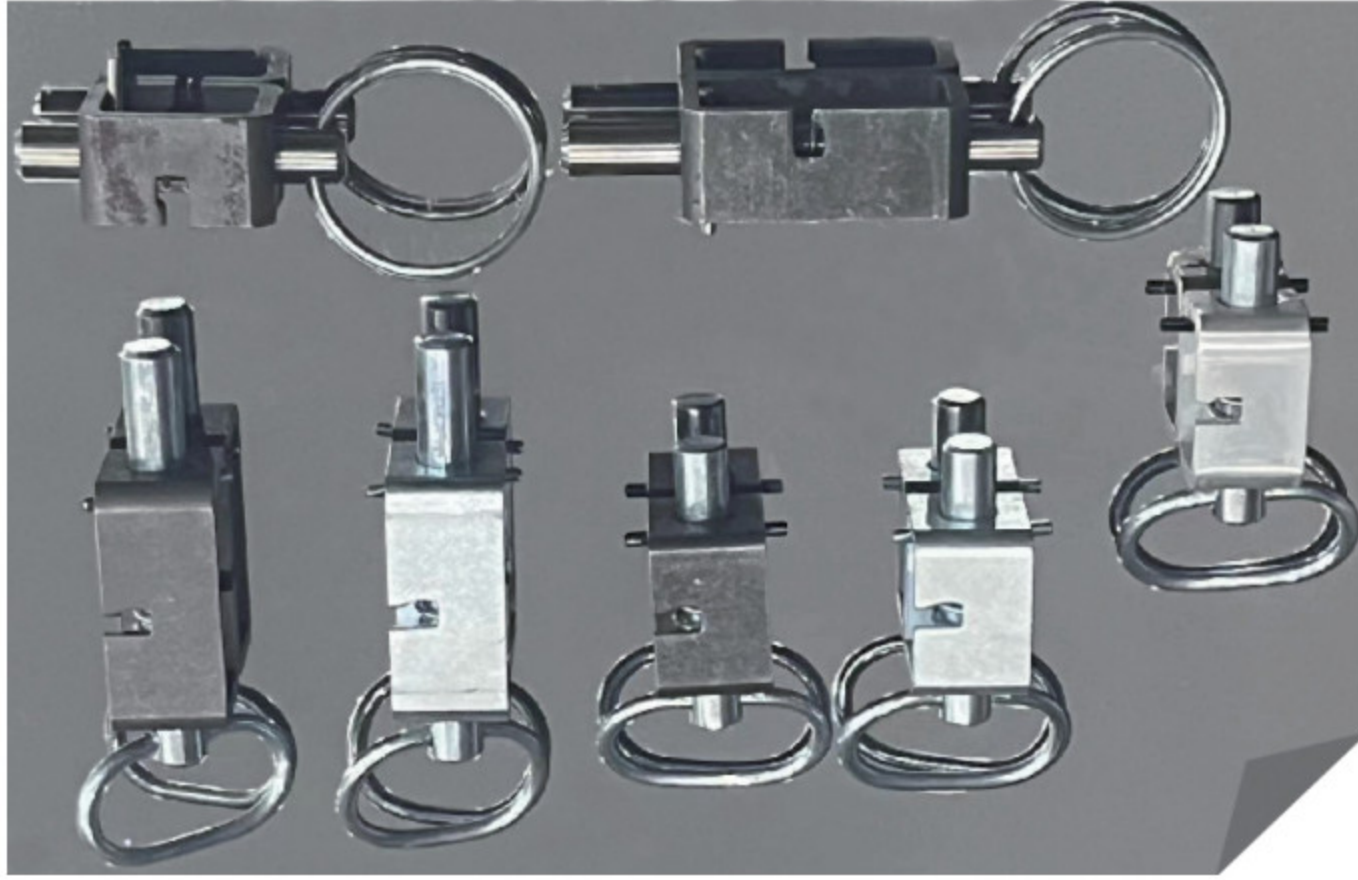


Model: 3204series



Model: 320413

NO.	L	L1	L2	ΦD	H
320401	200	100	70	15	6
320402	200	100	70	15	7
320404	160	80	50	15	6
320405	160	80	70	15	6
320407	160	80	60	15	6
320409	80	40	60	15	6
320410	240	120	60	15	6



These Trailer Pins

They are used for Trailer bracket fixation. The material is iron, etc.

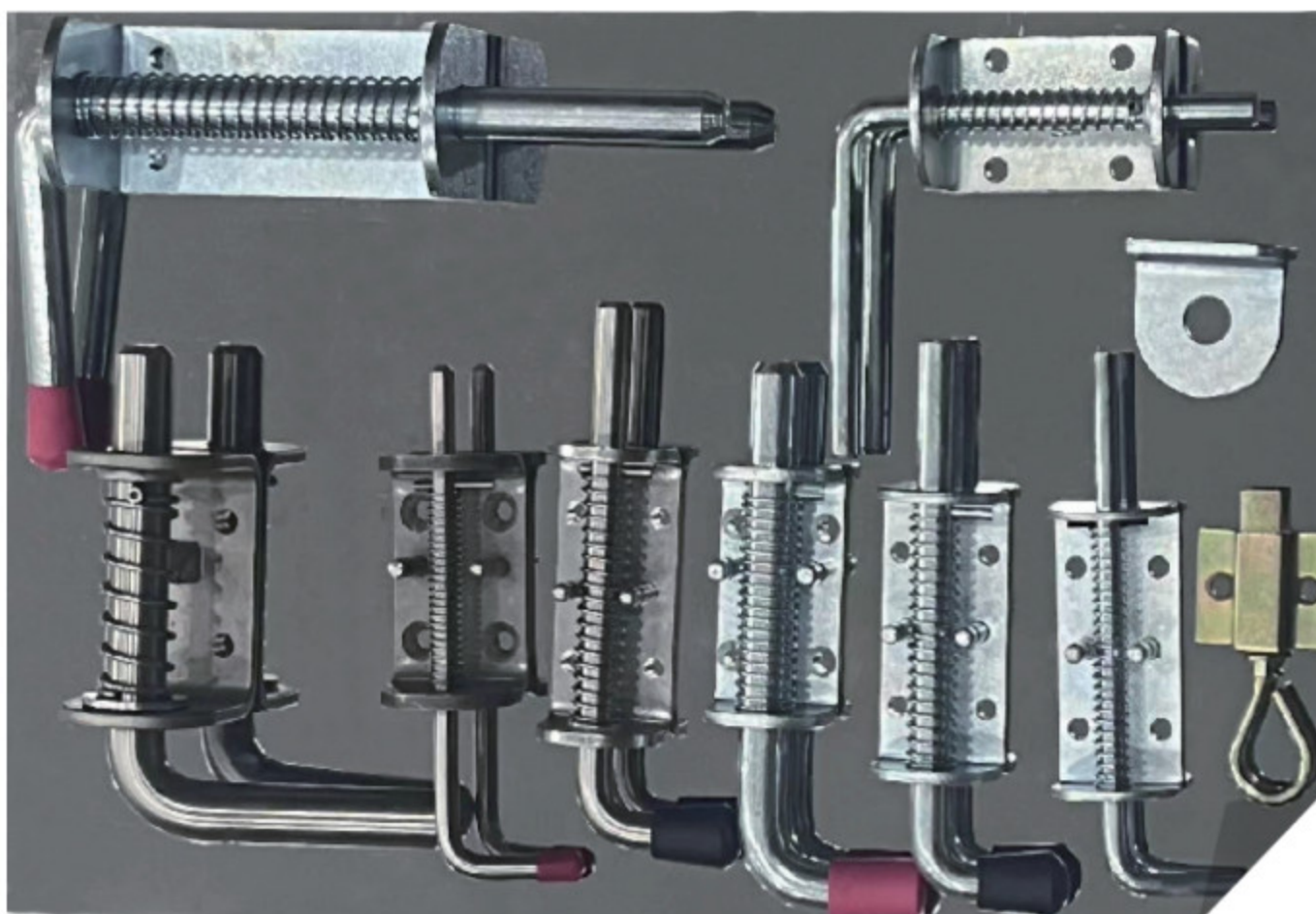
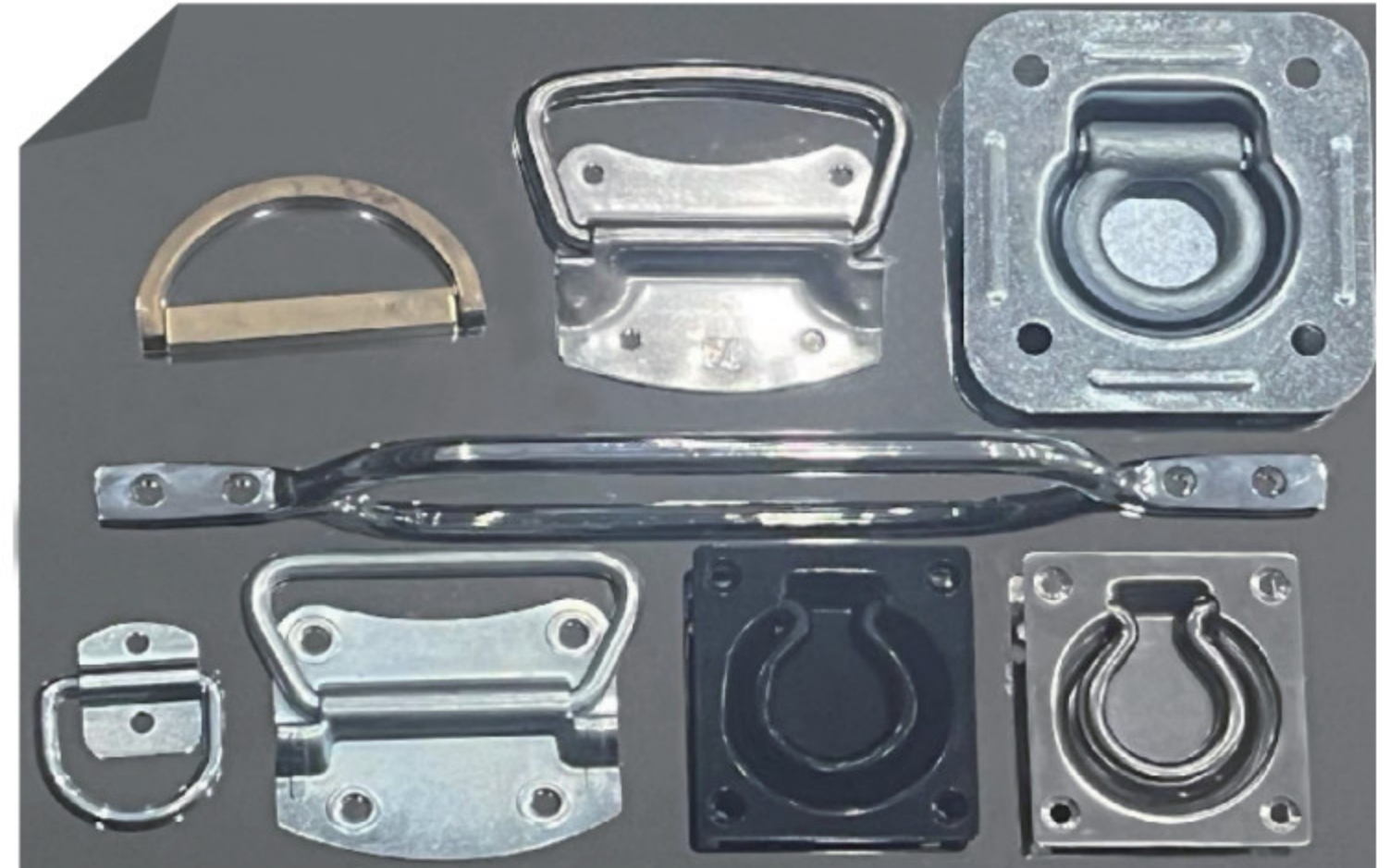
In addition to producing standard sizes, we can also manufacture the specific sizes requested by the customers.

The Handle and Fixing Ring

They are used for carriage fixed rope and carriage door handle.

The material is iron, stainless steel, etc. The shape comes in various shapes.

In addition to producing standard sizes, we also can produce them based on the drawings and samples provided by the customers.



The Spring latches

They are used for fixing the household doors and windows.

The material is iron, etc.

The color is available with the natural color, blue-white zinc and color zinc.

The handle is available with a red cap, a black cap, or without a cap, etc.

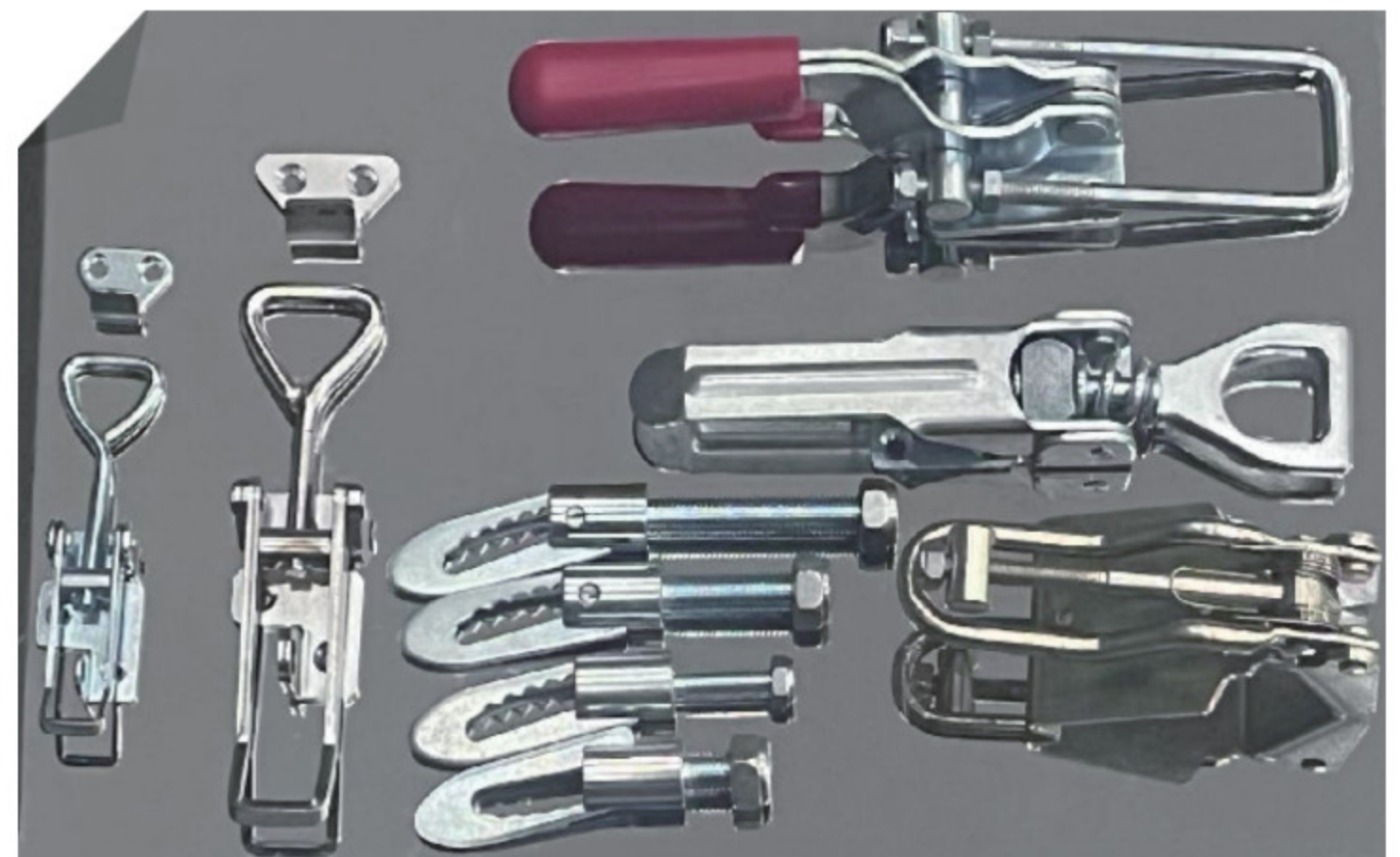
In addition to producing standard sizes, we also can produce them based on the drawings and samples provided by the customers.

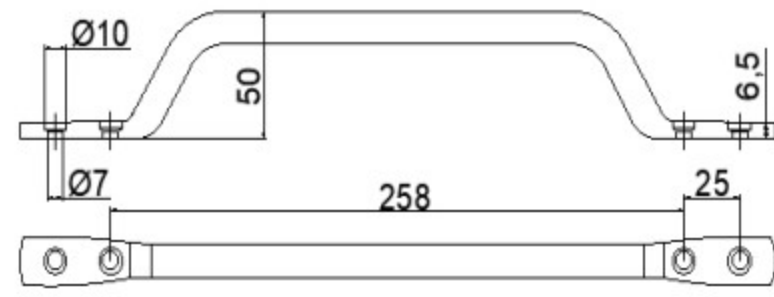
The Quick Clamps and Dowel Pins

They are used for securing mechanical equipment door connections.

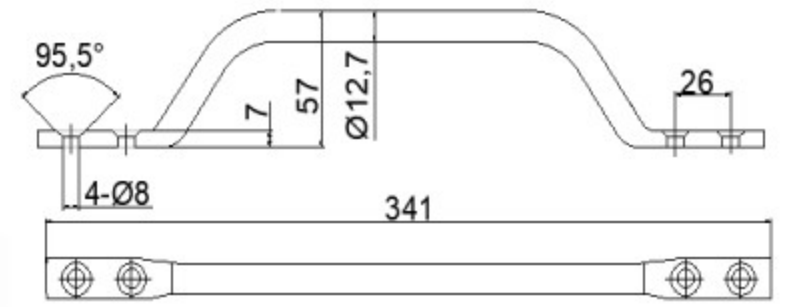
The material is iron, stainless steel, etc.

The color is available with the natural color, blue-white zinc.

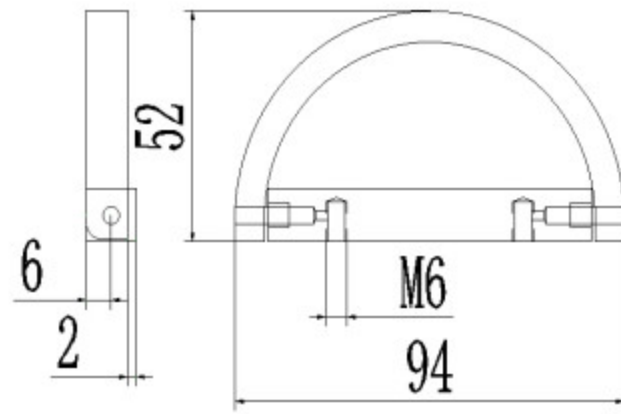




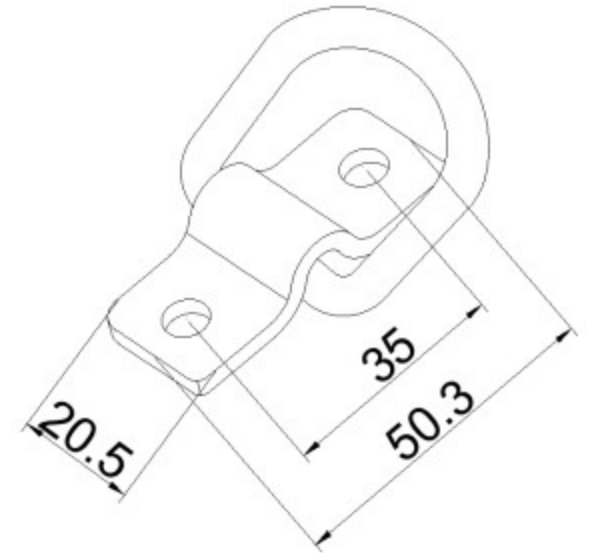
Model: 350630



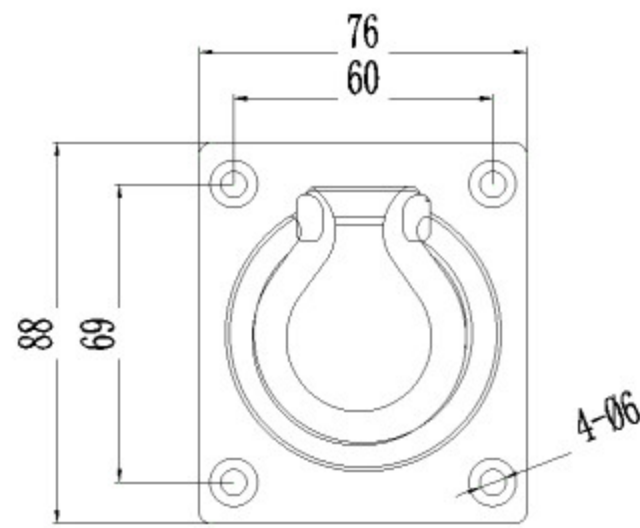
Model: 020729



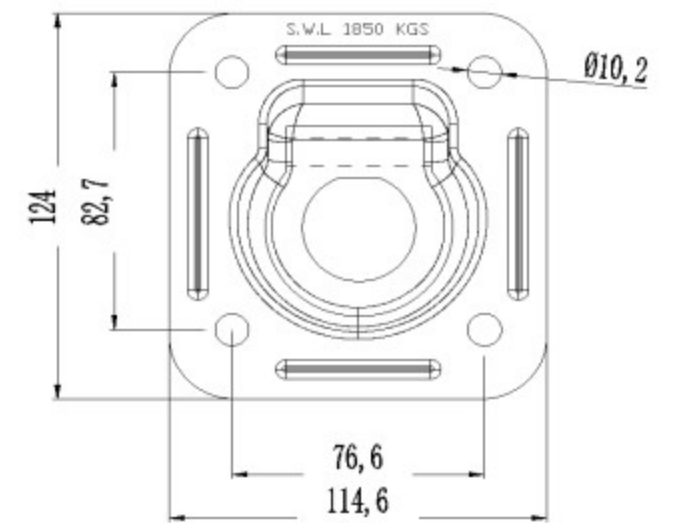
Model: 010506



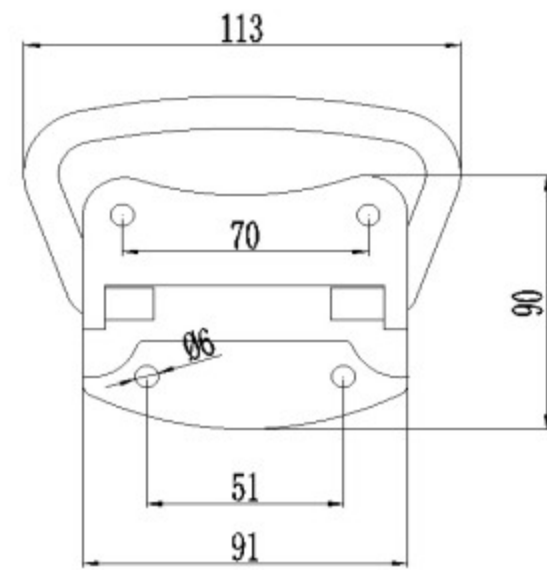
Model: 020726



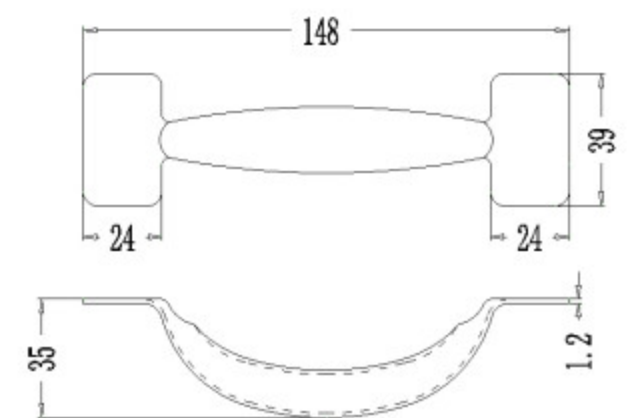
Model: 490202



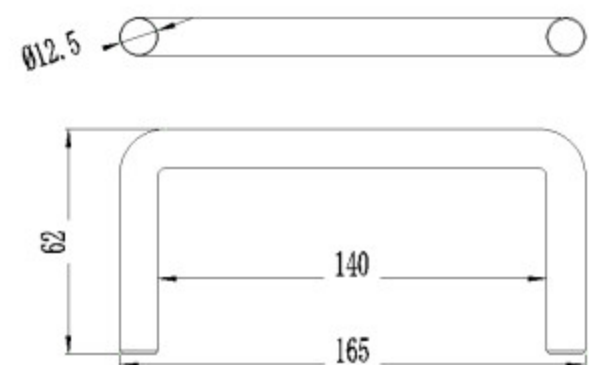
Model: 100423



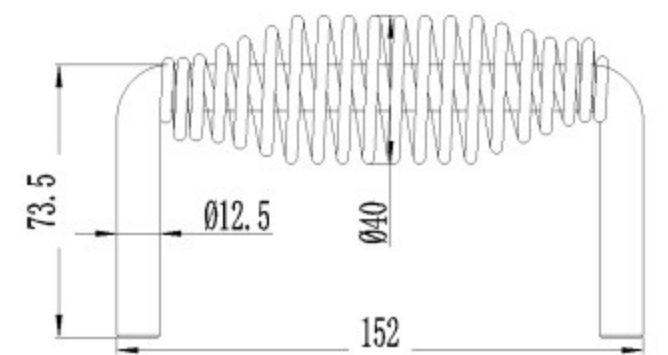
Model: 500216



Model: 490108

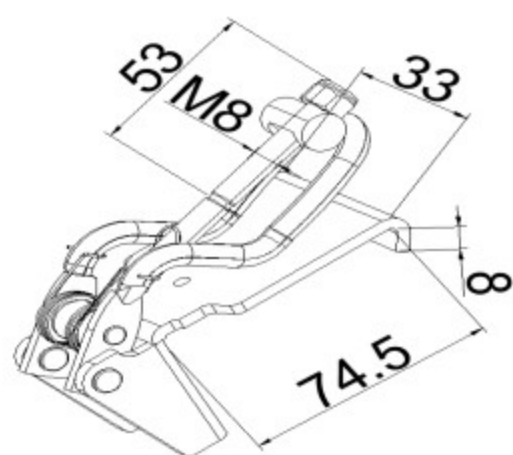


Model: 500322

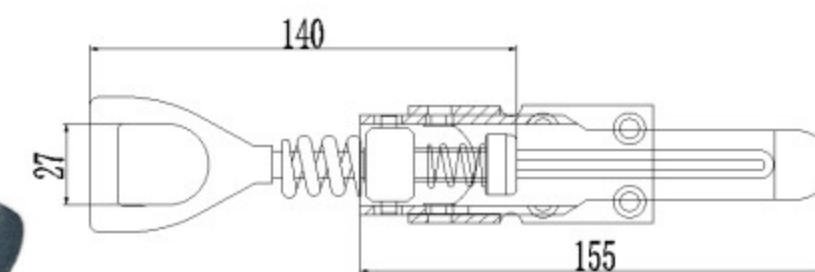


Model: 500321

Latch Bolt Hinge



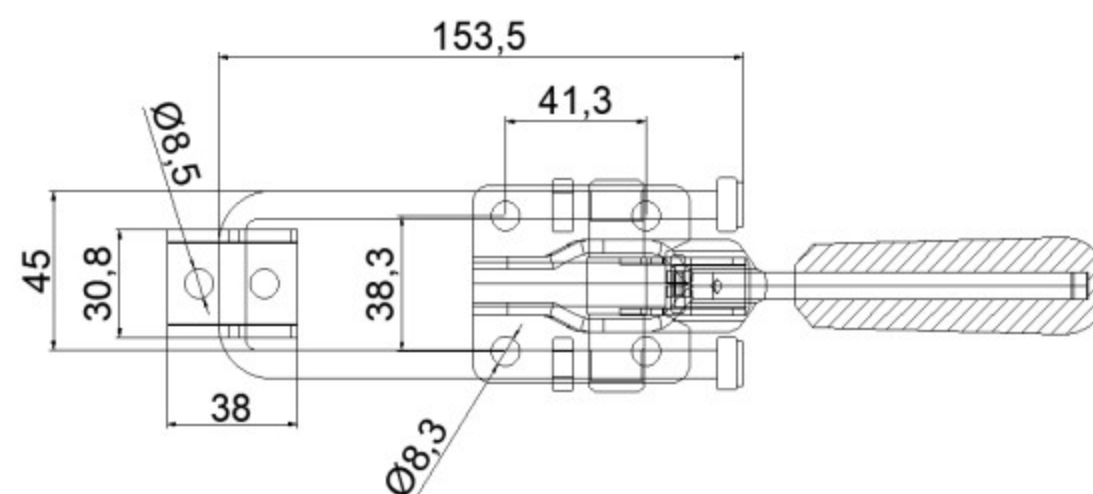
Model:410113



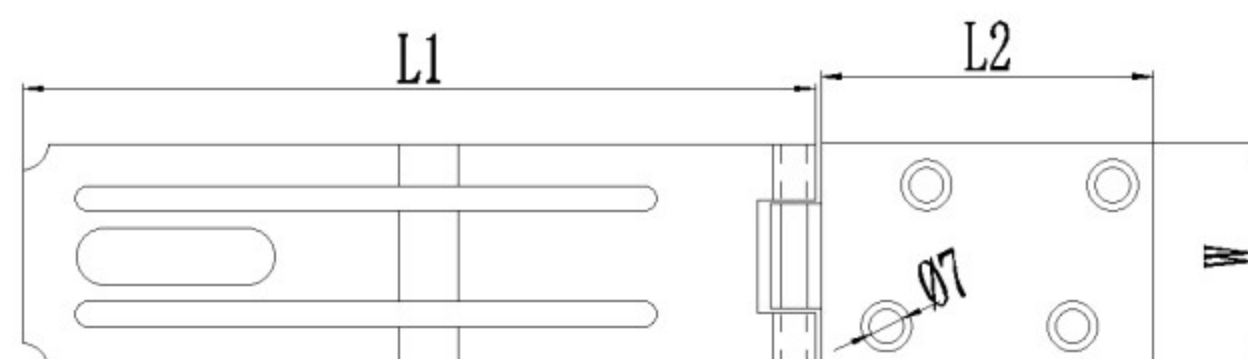
Model:100426



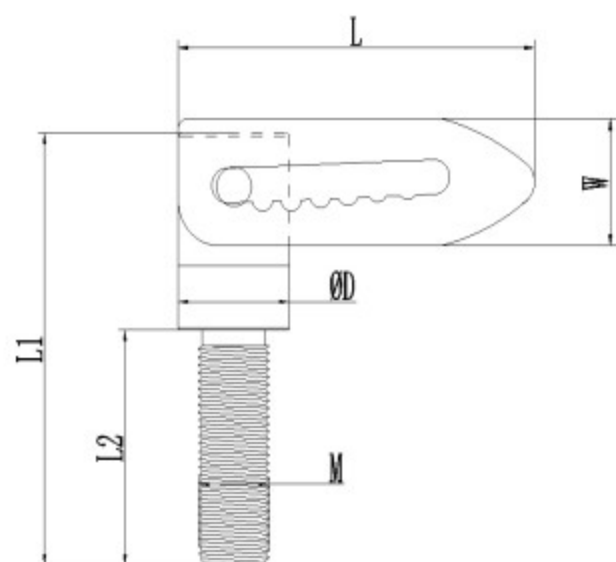
Model:140336



Model:0203series

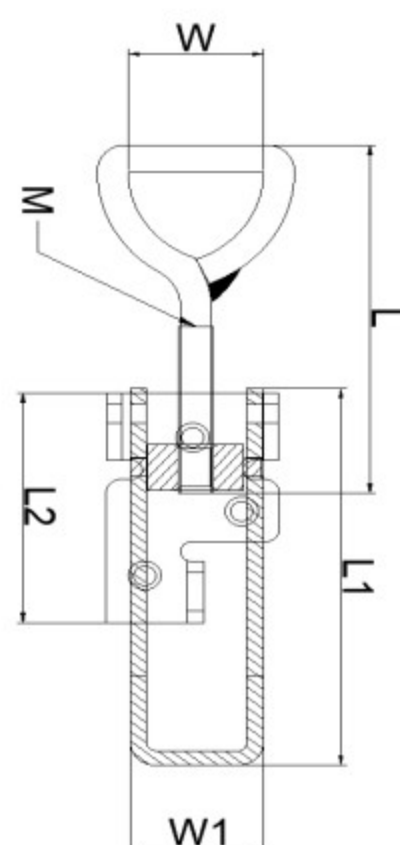


NO.	L1	L2	W
020312	83	33	38
020313	110	43	38
020314	153	68	44.5



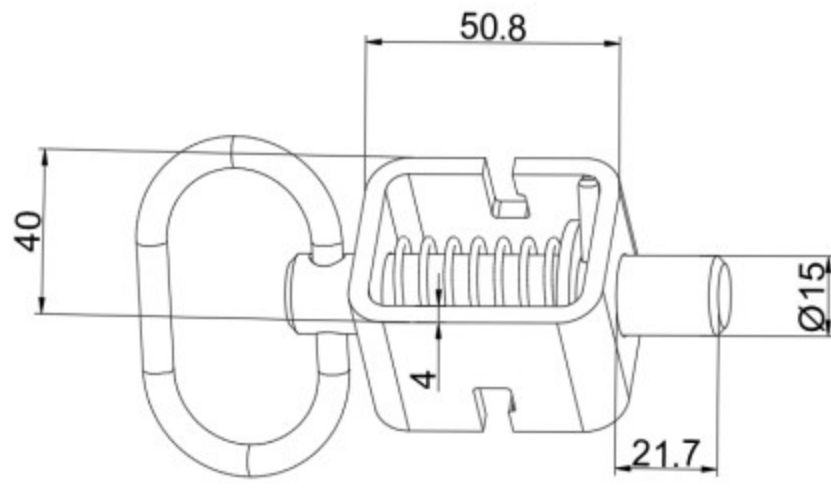
Model:1404series

NO.	L	L1	L2	ΦD	W	M
350628	50.2	29	10	13	14	Φ8
220129	50.2	40	20	13	14	M8
140420	70	42	12	19	22	Φ12
140421	70	80	50	19	22	M12
140422	70	106	76	19	22	M12
220105	70	55	25	19	22	M12

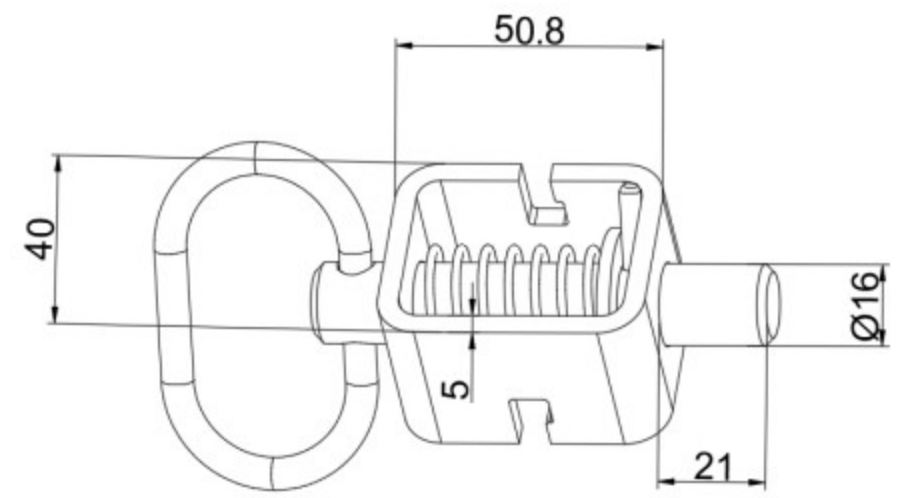


Model:1402 series

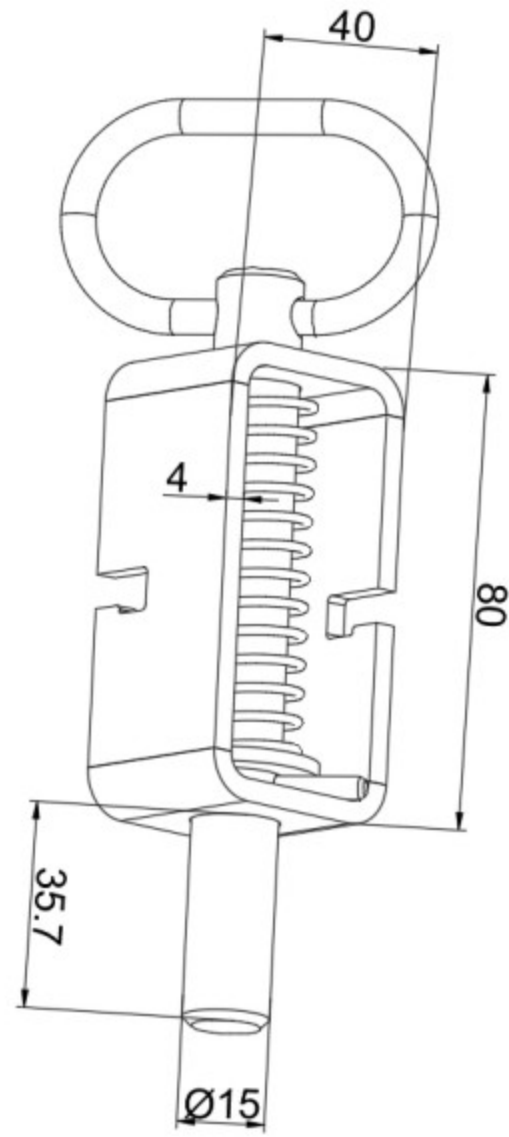
NO.	L	L1	L2	W	W1	M
140323	85	65	50	21	20	M6
140236	94.5	98	60	35	29	M8



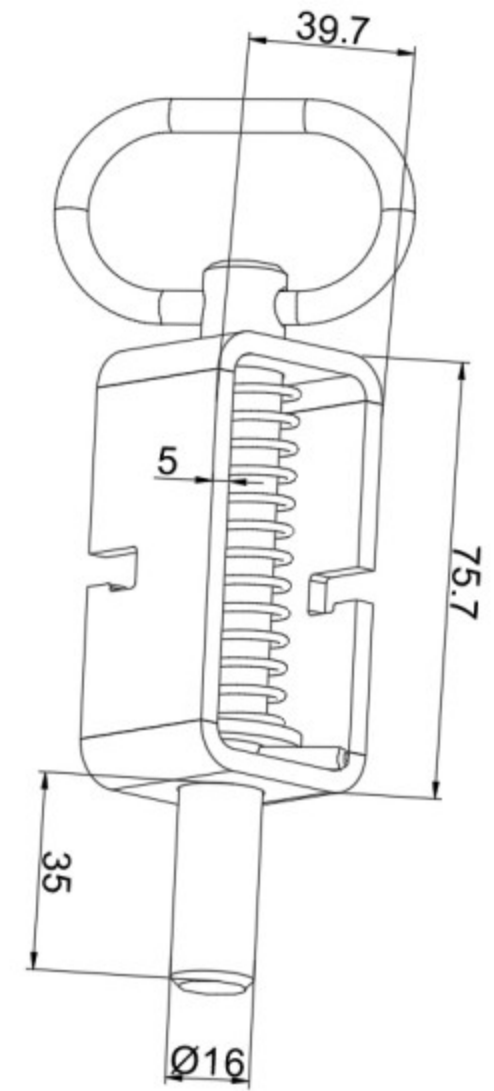
Model:310104



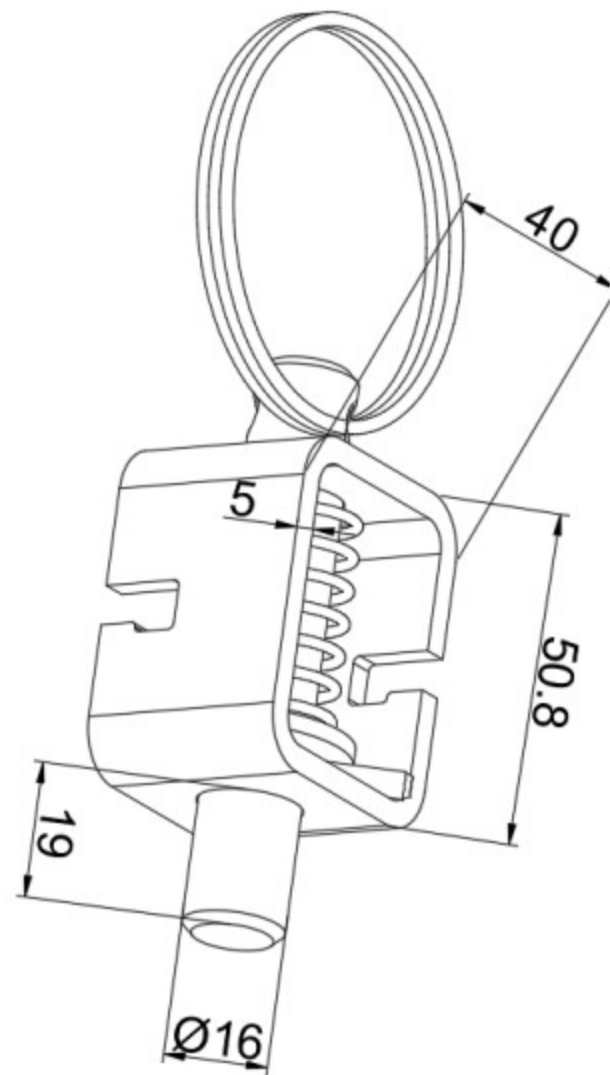
Model:140329



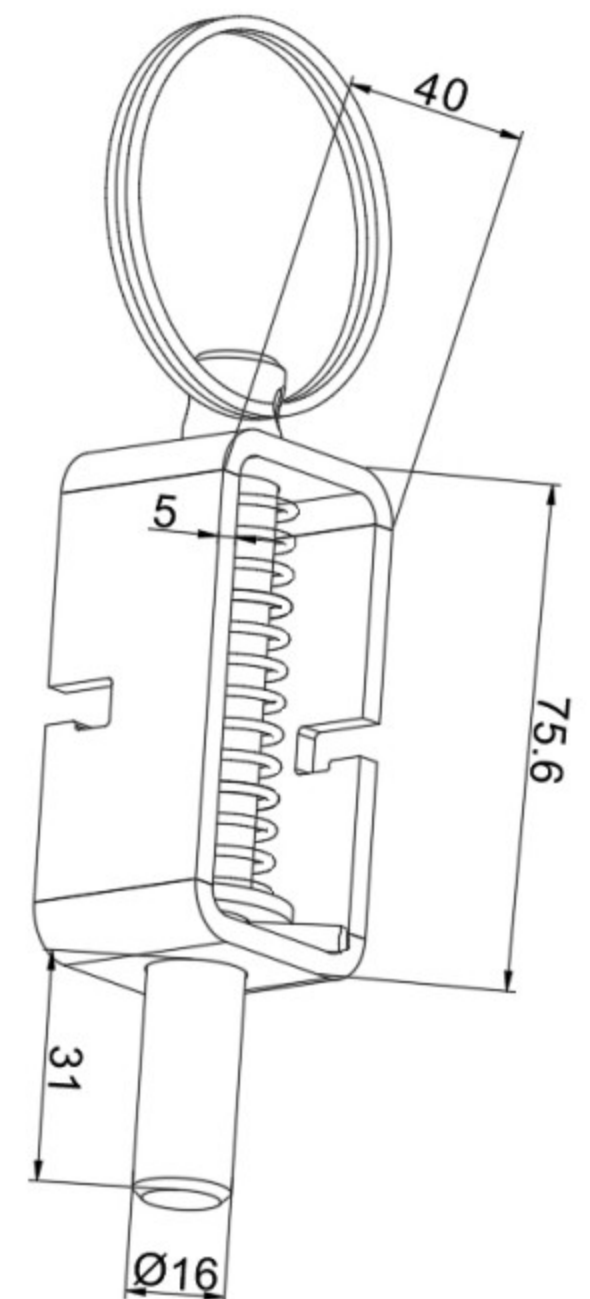
Model:310106



Model:140328

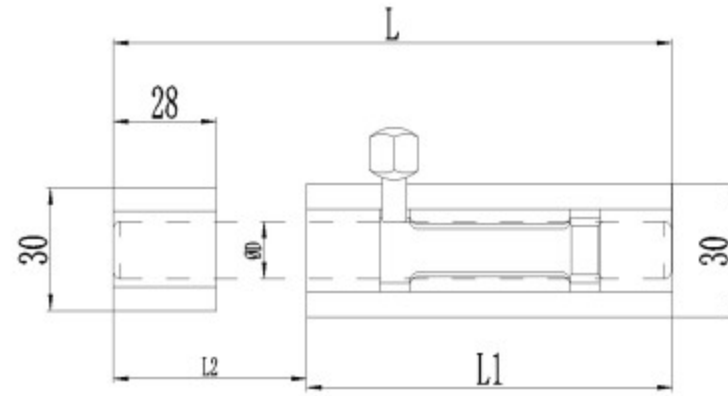
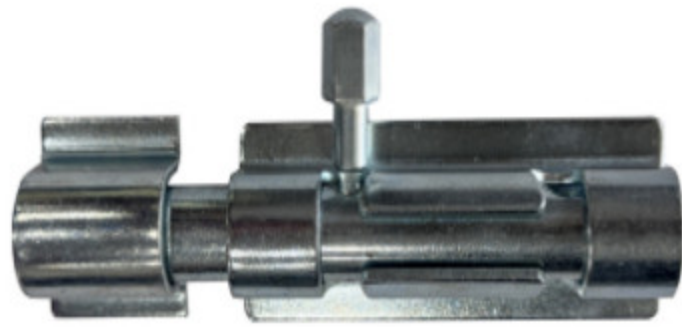


Model:350511



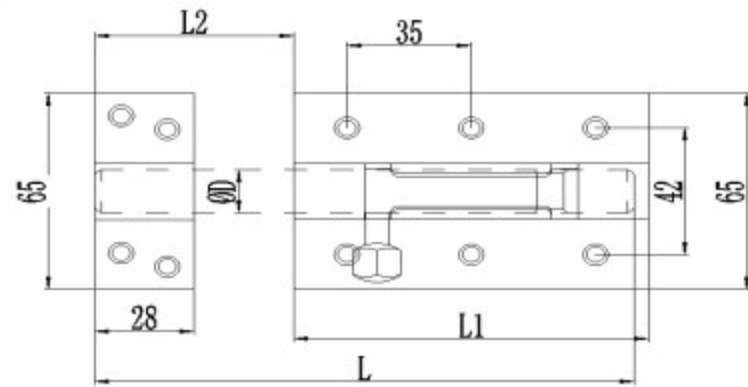
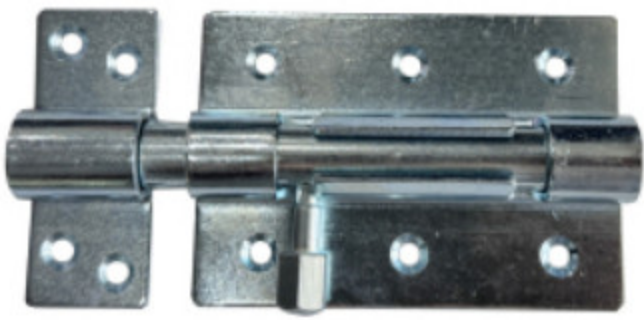
Model:350512

Trailer Pin



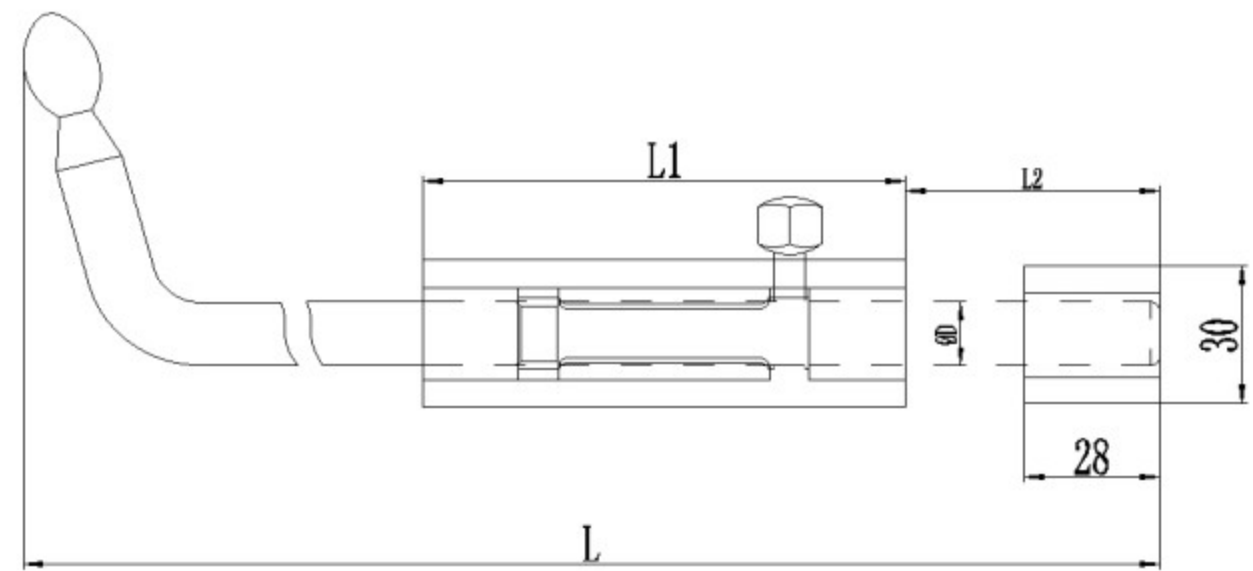
NO.	L	L1	L2	ΦD	H
010901	152	100	52	14	2
010902	172	120	52	14	2
010903	108	70	38	14	2
010904	127	85	42	14	2

Model : 0109series



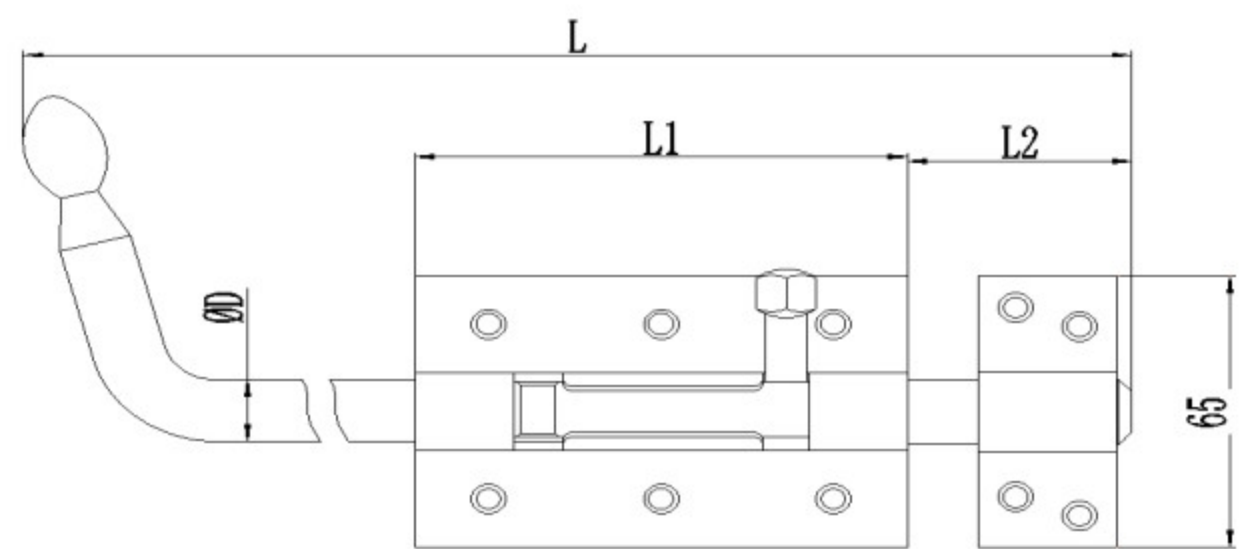
NO.	L	L1	L2	ΦD	H
010905	152	100	52	14	2
010906	172	120	52	14	2
010907	127	85	42	14	2
010908	108	70	38	14	2

Model : 0109 series



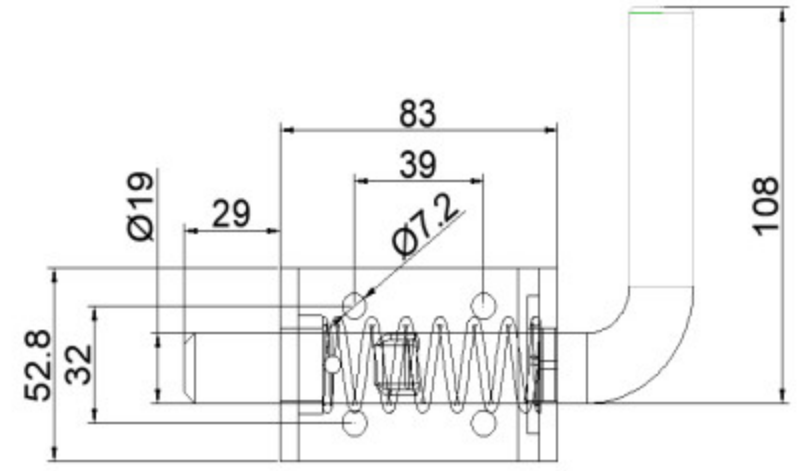
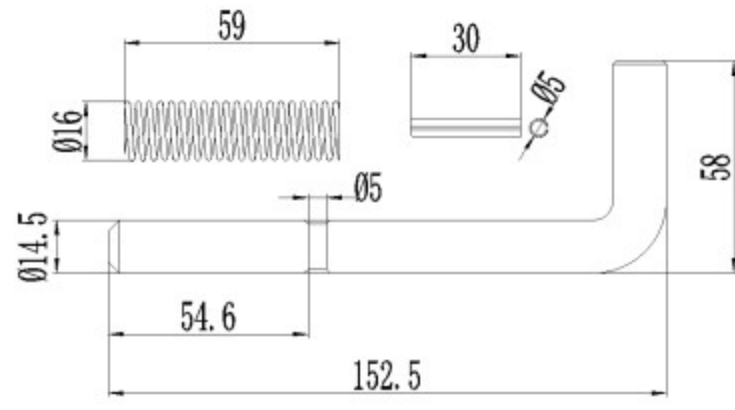
Model : 0109series

NO.	L	L1	L2	ΦD	H
010911	250	85	40	14	2
010912	1000	120	50-70	14	2
010913	1500	120	50-70	14	2
010914	600	100	52	14	2
010915	500	100	52	14	2
010916	400	100	52	14	2



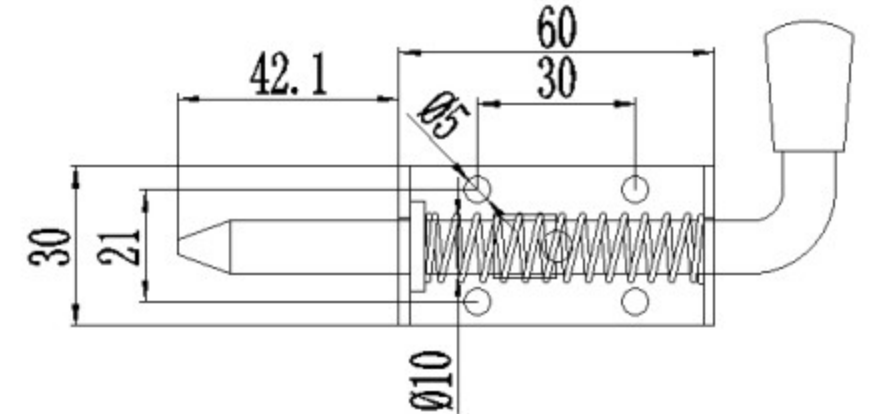
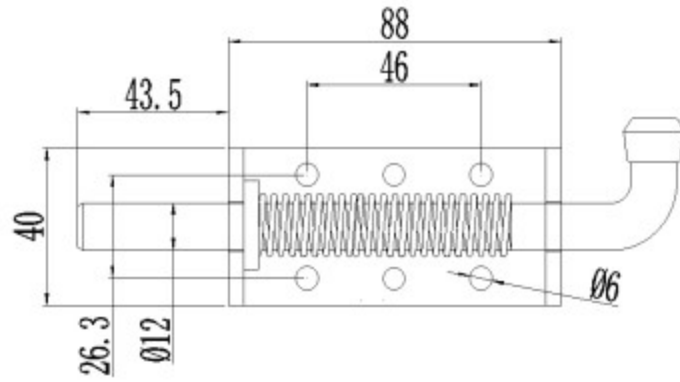
Model : 0109series

NO.	L	L1	L2	ΦD	H
010917	400	100	52	14	2
010918	500	100	52	14	2
010919	600	100	45	14	2
010920	1000	120	50-70	14	2
010921	1500	120	50-70	14	2
010922	300	85	40	14	2
010923	250	85	40	14	2
010924	200	85	40	14	2



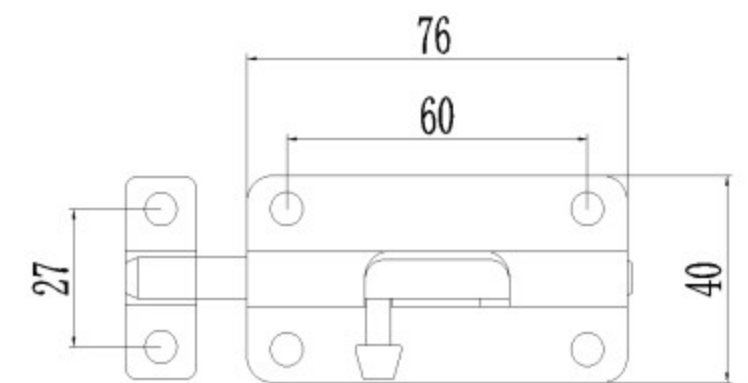
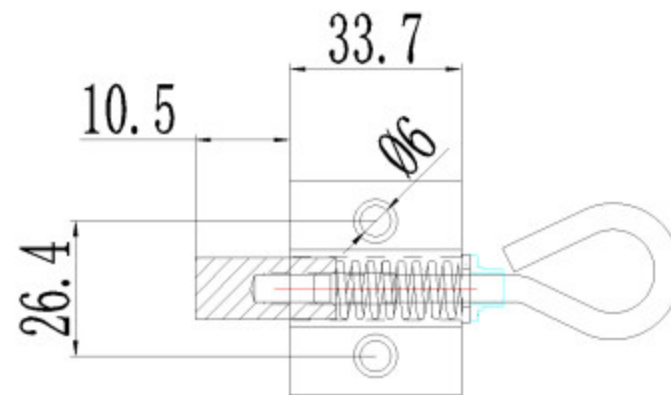
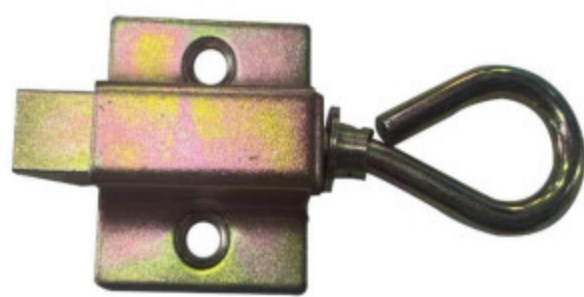
Model: 350412

Model: 350608



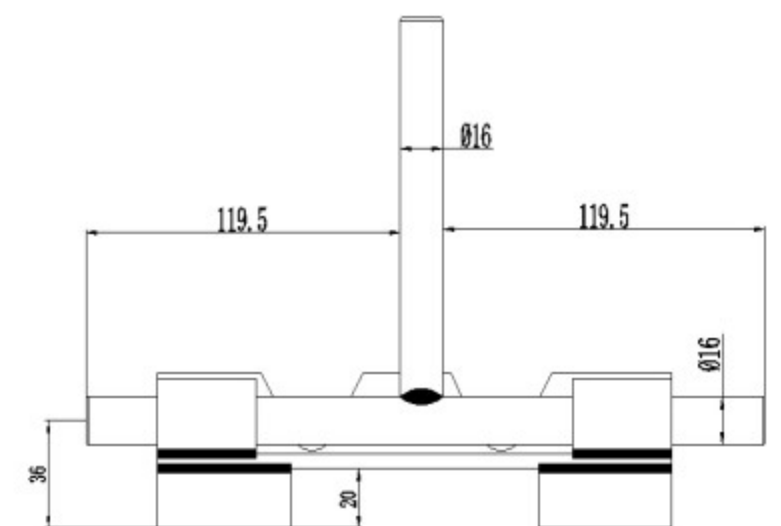
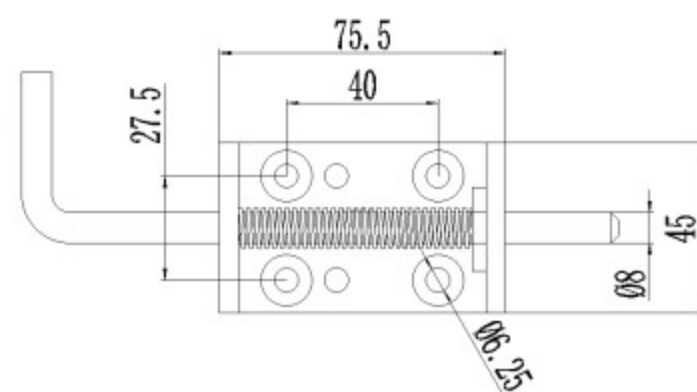
Model: 140101

Model: 490206



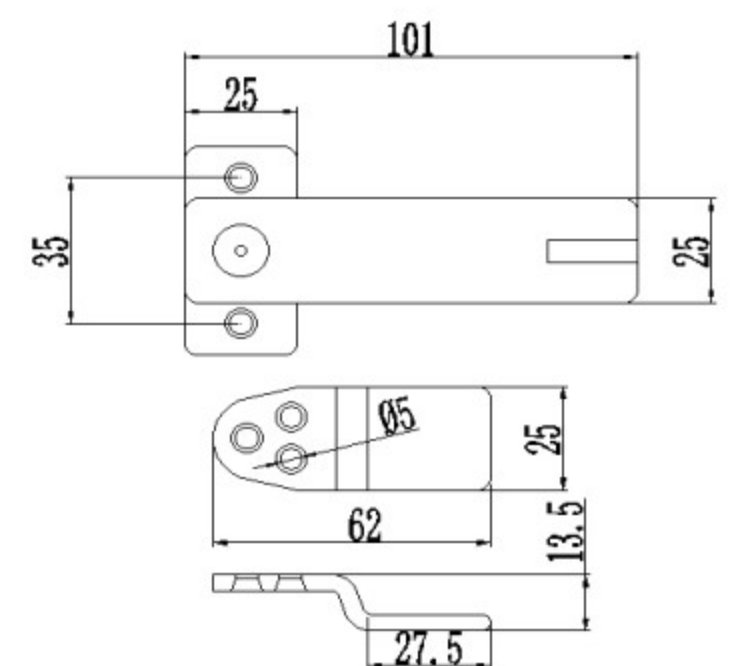
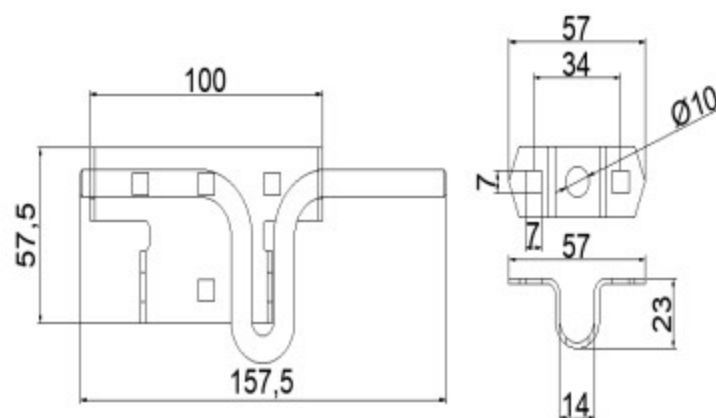
Model: 490201

Model: 170107



Model: 440235

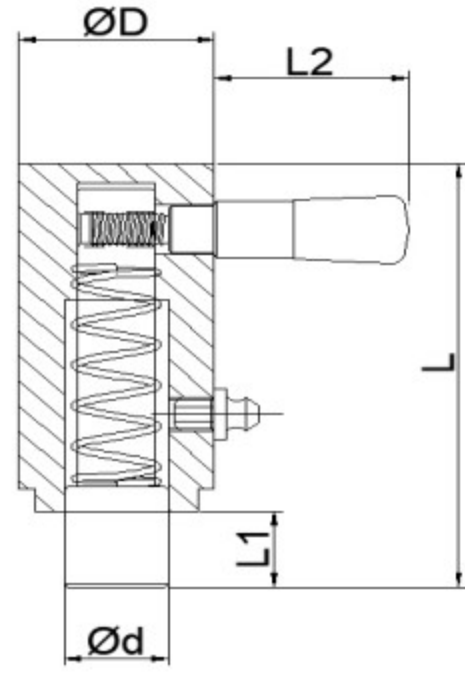
Model: 610101



Model: 350435

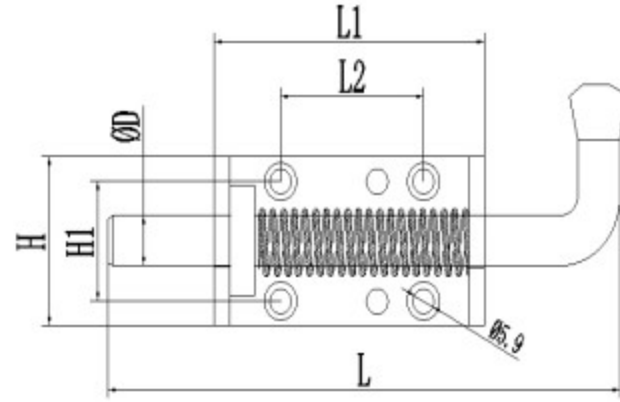
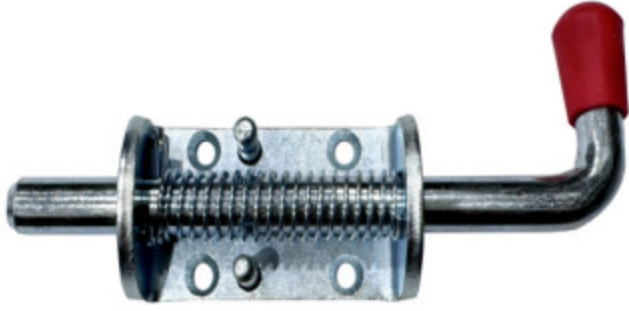
Model: 110213

Trailer Pin



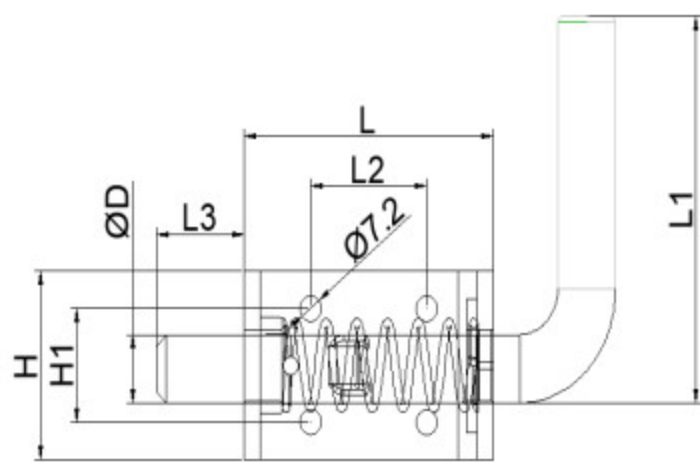
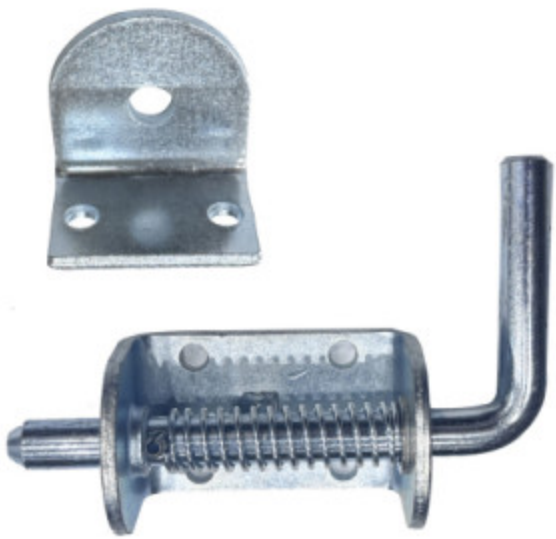
NO.	L	L1	L2	ΦD	Φd
020719	76	13.5	30	30	16
020720	96	15	56	35	25
020721	66	12	29	25	12.5
020722	77	11.5	30.5	30	18.5

Model: 0207series



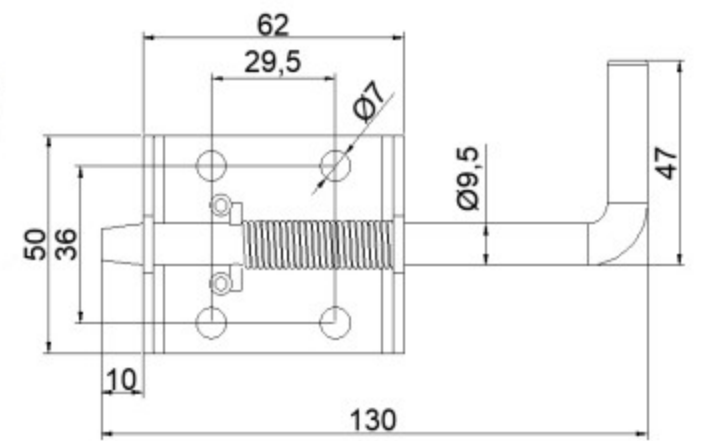
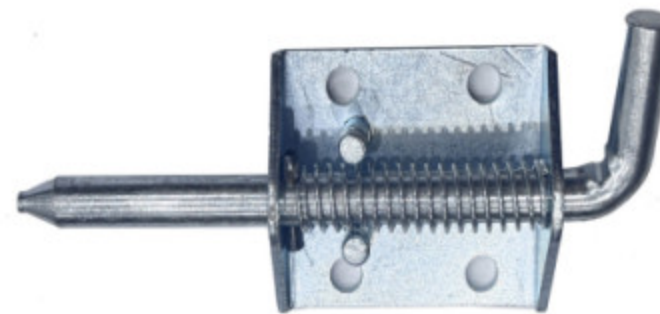
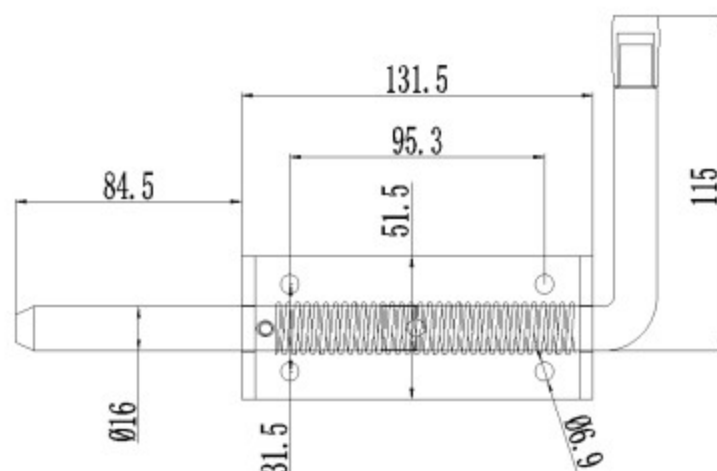
NO.	L	L1	L2	ΦD	H	H1
140102	165	76	40	12.5	40	28.8
410105	165	76	40	16	40	28.8

Model: 1401series



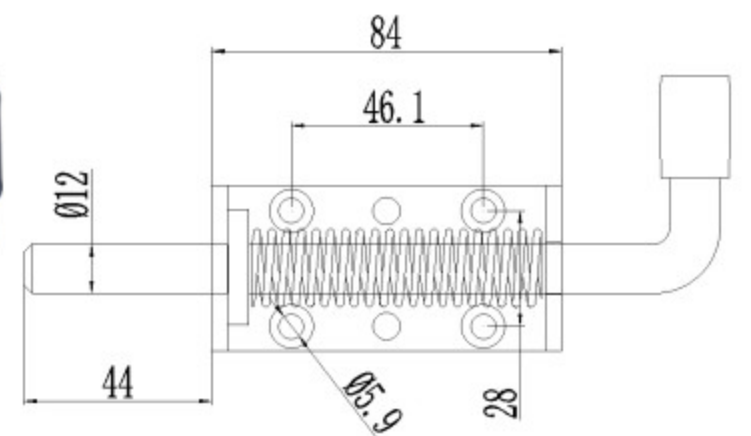
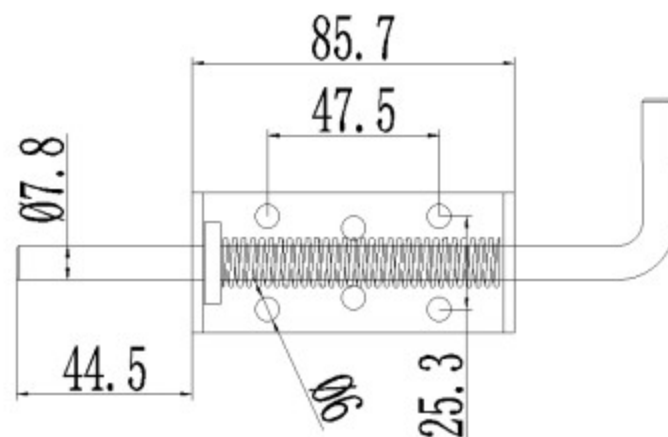
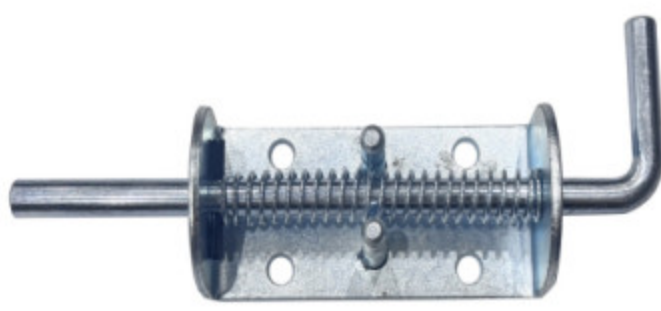
NO.	L	L1	L2	ΦD	H	H1
140334	76	111	38	9.5	45	31.7
140332	76	111	38	12.7	45	31.7
140333	76	73	38	12.7	45	31.7
140331	69.5	108	38	19	53	31.7

Model: 3101series



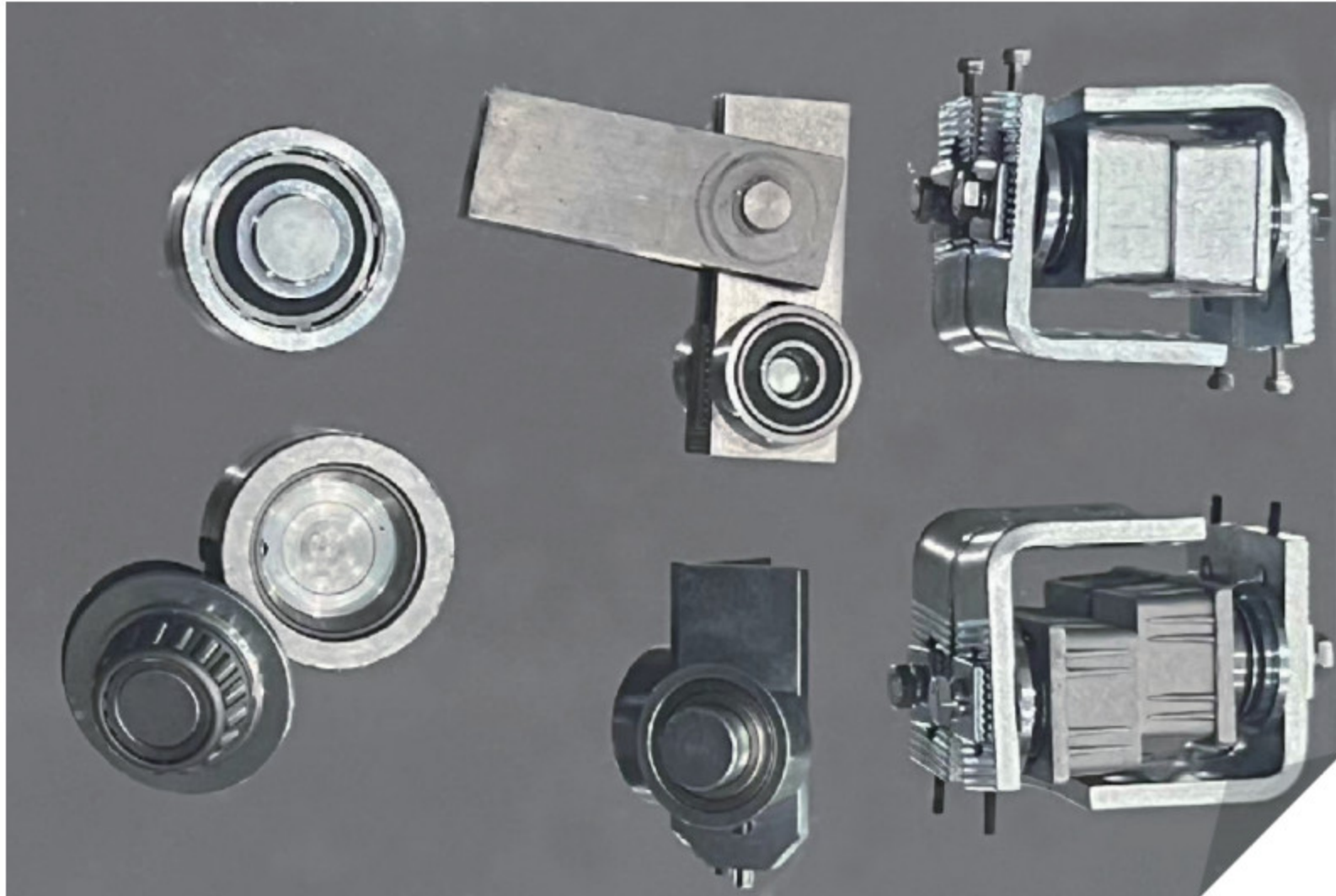
Model: 020414

Model: 500405



Model: 170106

Model: 020415



The Adjustment Hinges

They are used for Iron door upper and lower link.

The material is iron, etc.

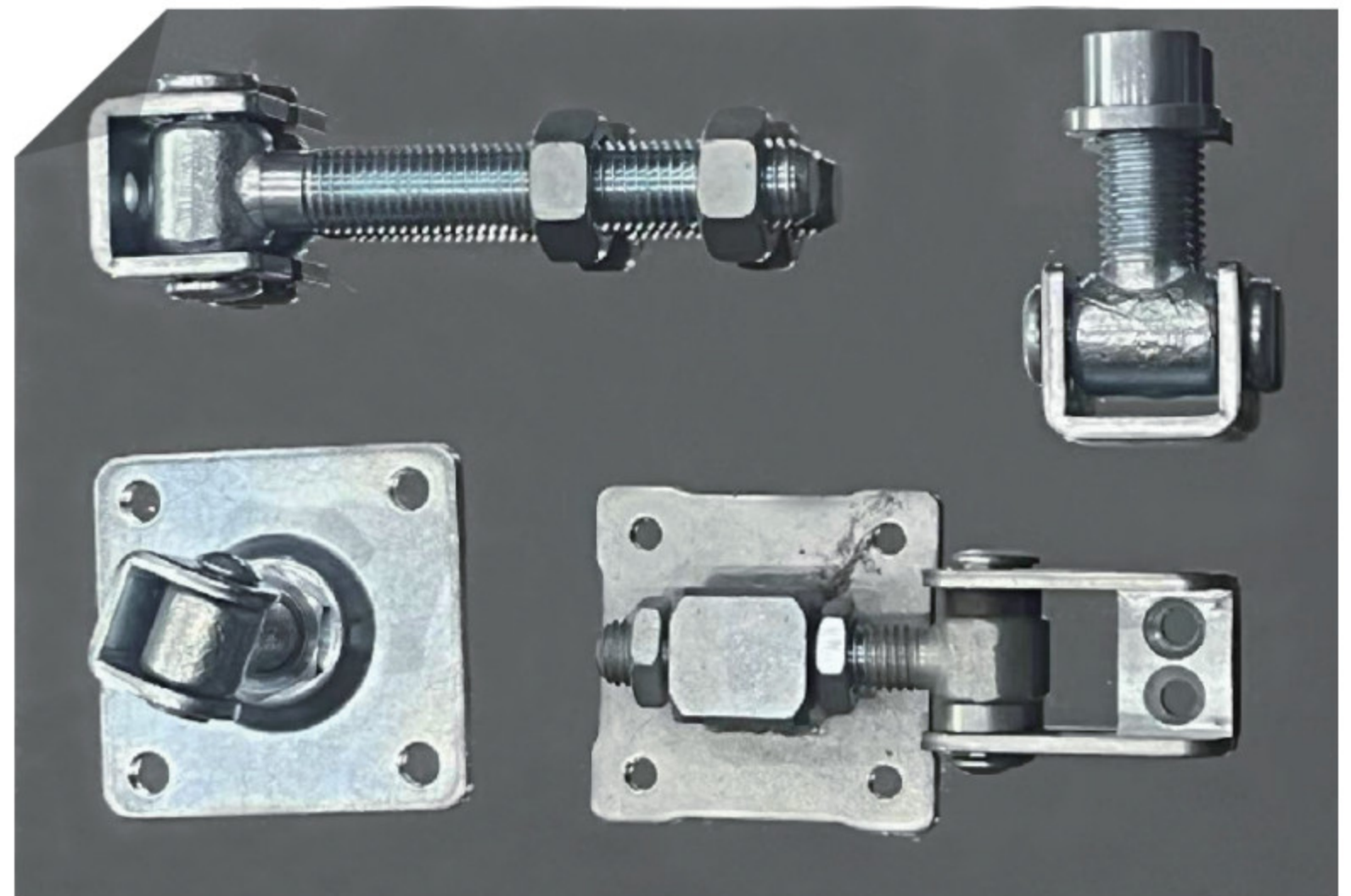
In addition to producing standard sizes, we also can produce them based on the drawings and samples provided by the customers.

The Adjustment Hinges

They are used for Iron door.

The material is iron, etc.

In addition to producing standard sizes, we also can produce them based on the drawings and samples provided by the customers.



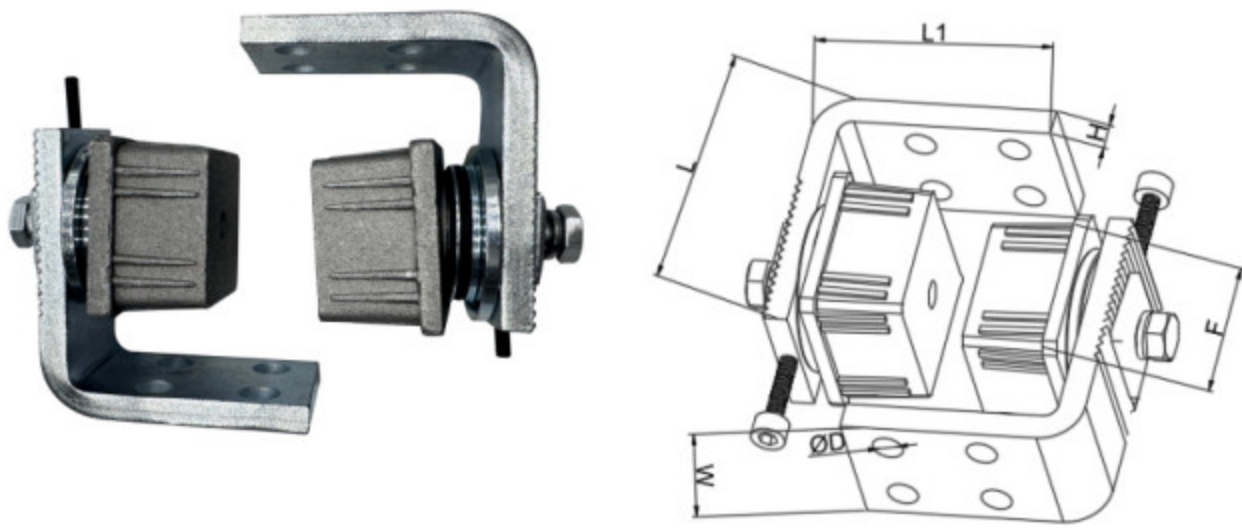
The Multi-section welded hinges

They are used for door and window welding.

The material is iron, etc.

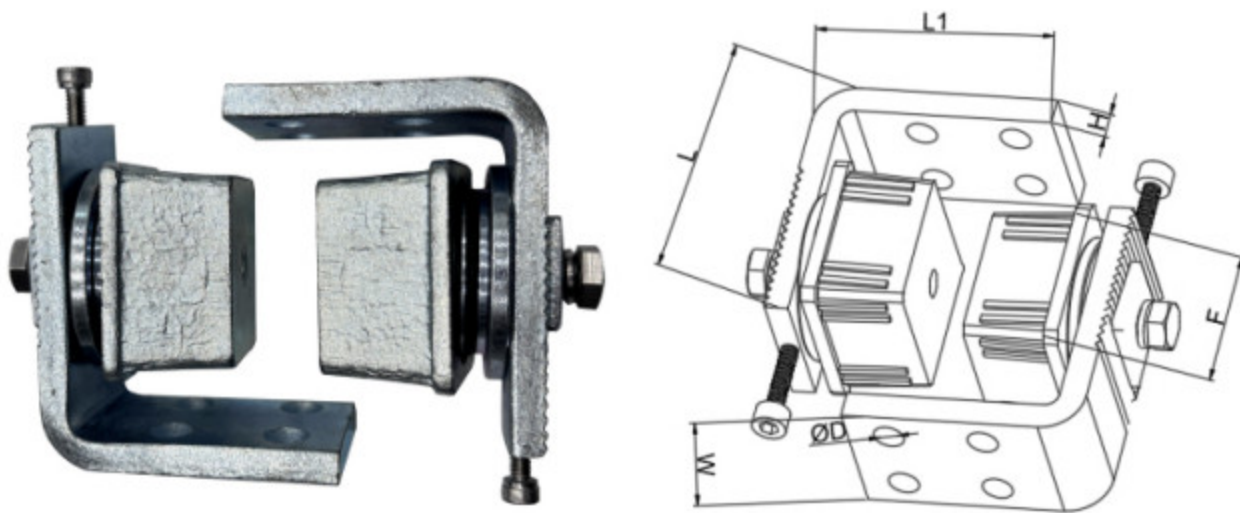
In addition to producing standard sizes, we also can produce them based on the drawings and samples provided by the customers.

Floor-To-Ceiling Hinge



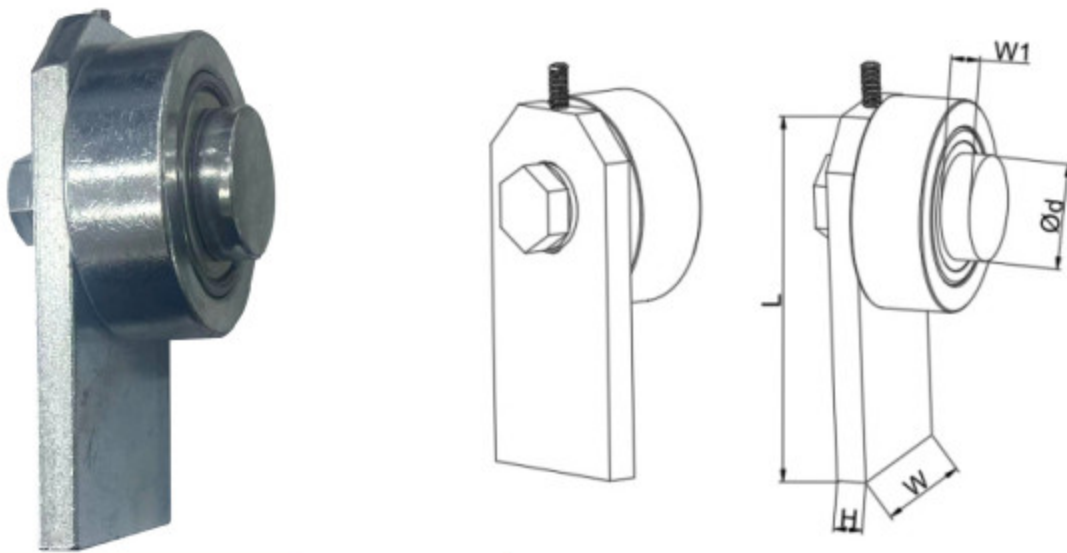
Model:1102series

NO.	L	L1	W	F	H	ΦD
110324	80	70.5	40	36.8	8	9
110203	80	70.5	40	44.5	8	9



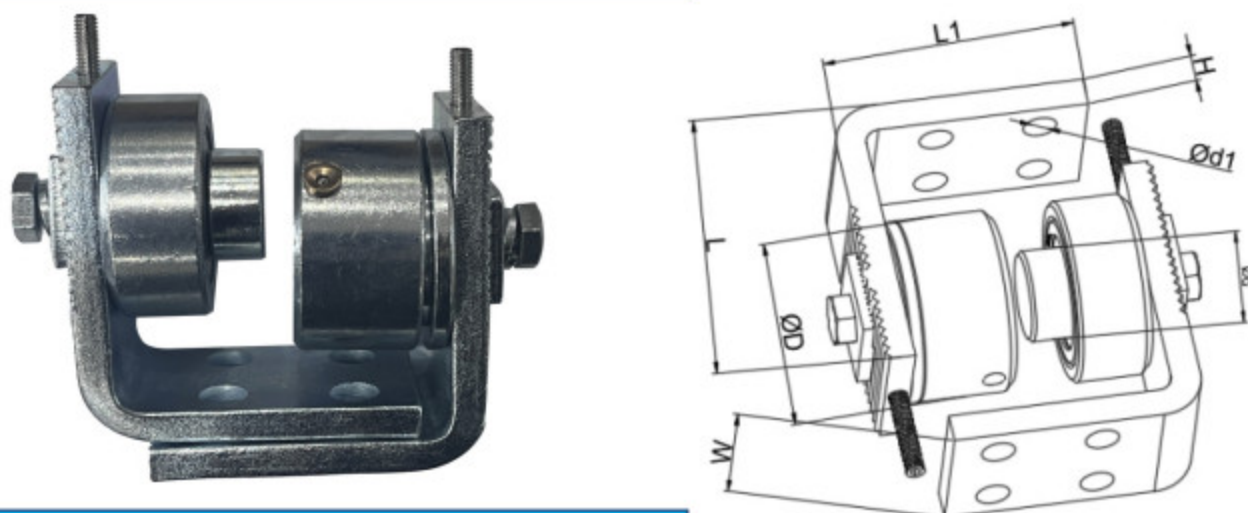
Model:1102series

NO.	L	L1	W	F	H	ΦD
110216	80	70.5	40	36.8	8	9
110204	80	70.5	40	44.5	8	9
110317	100	80	60	60	10	11



Model:1102series

NO.	L	W	W1	H	ΦD	Φd
110212	80	40	10	8	40	25
110206	92	40	11	8	50	25
110207	120	60	10	10	70	25
110217	250	100	10	14	120	45



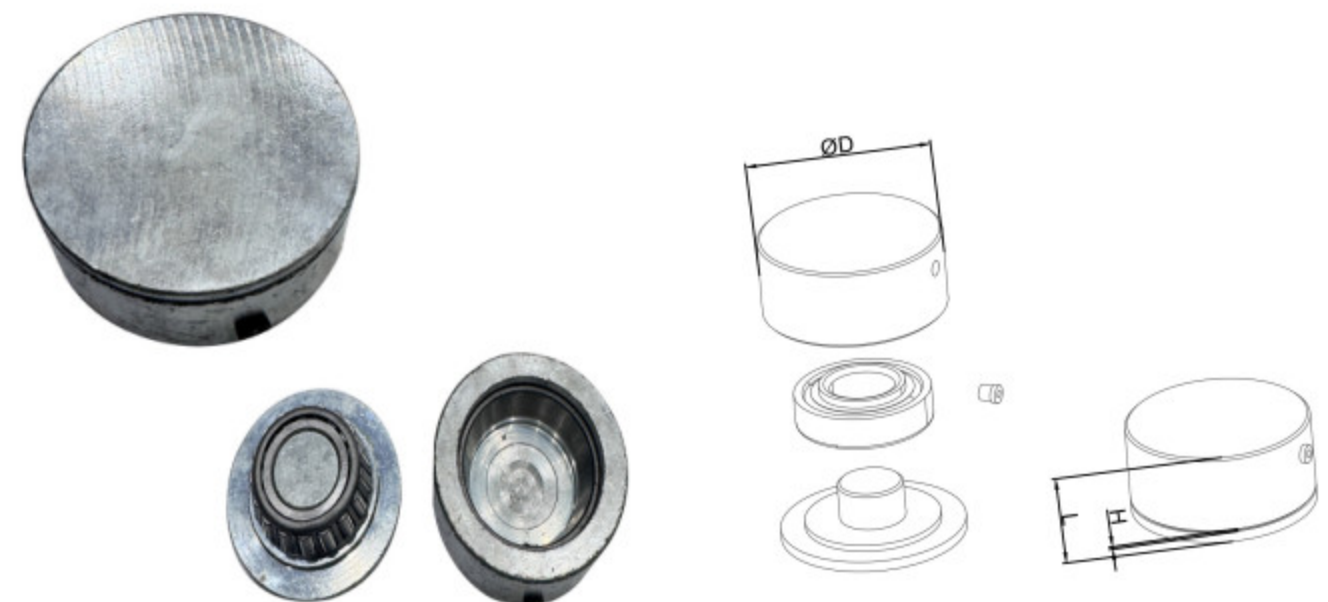
Model:1103series

NO.	L	L1	W	ΦD	Φd	Φd1	H
110305	80	70.5	40	50	25	9	8
110415(16)	100	80	60	60	35	11	10



Model:0104series

NO.	L	W	H	ΦD	Φd
010402	110	40	8	42	15
010401	140	60	12	60	20

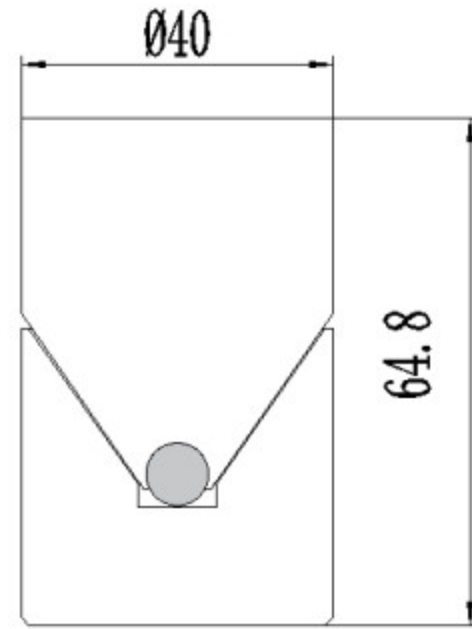


Model:1102series

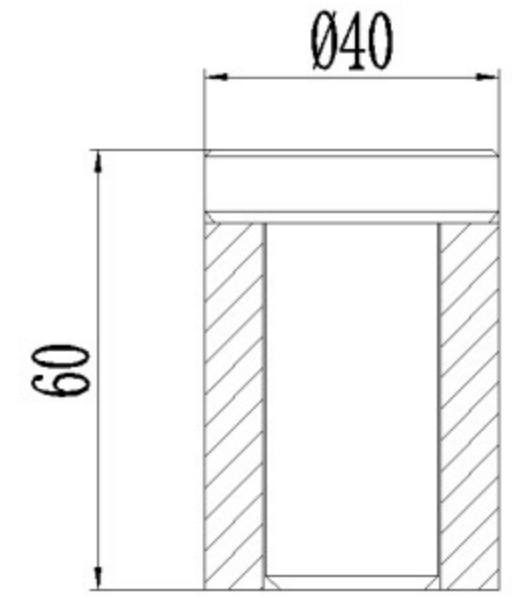
NO.	L	ΦD	H
110209	28	40	2
110210	32	50	2
110211	37	70	2
110218	46.5	120	2.5



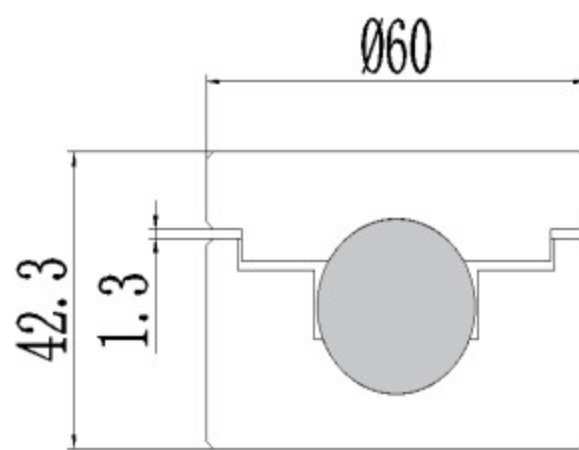
Floor-To-Ceiling Hinge



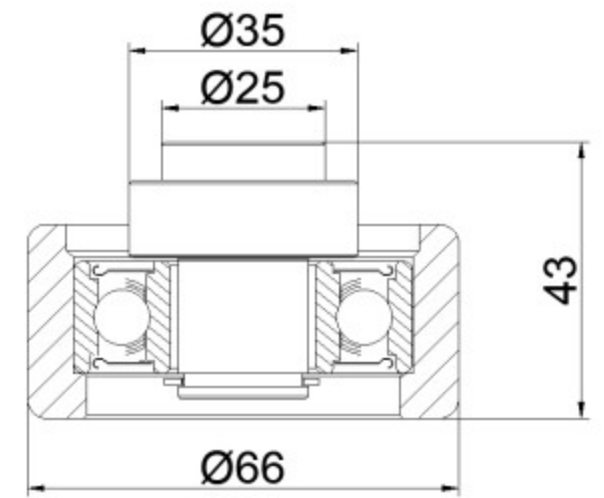
Model:010304



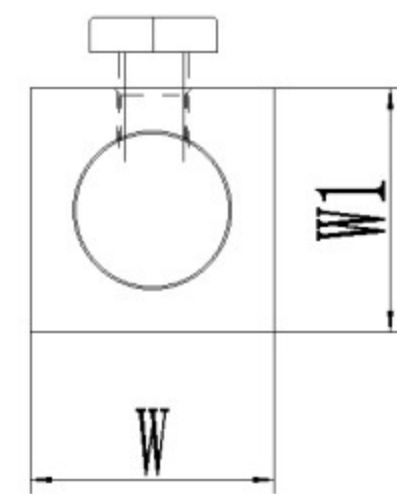
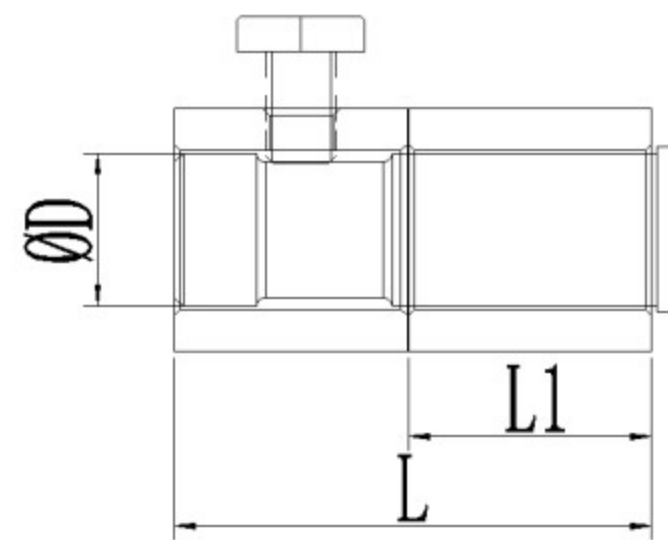
Model:010305



Model:010822

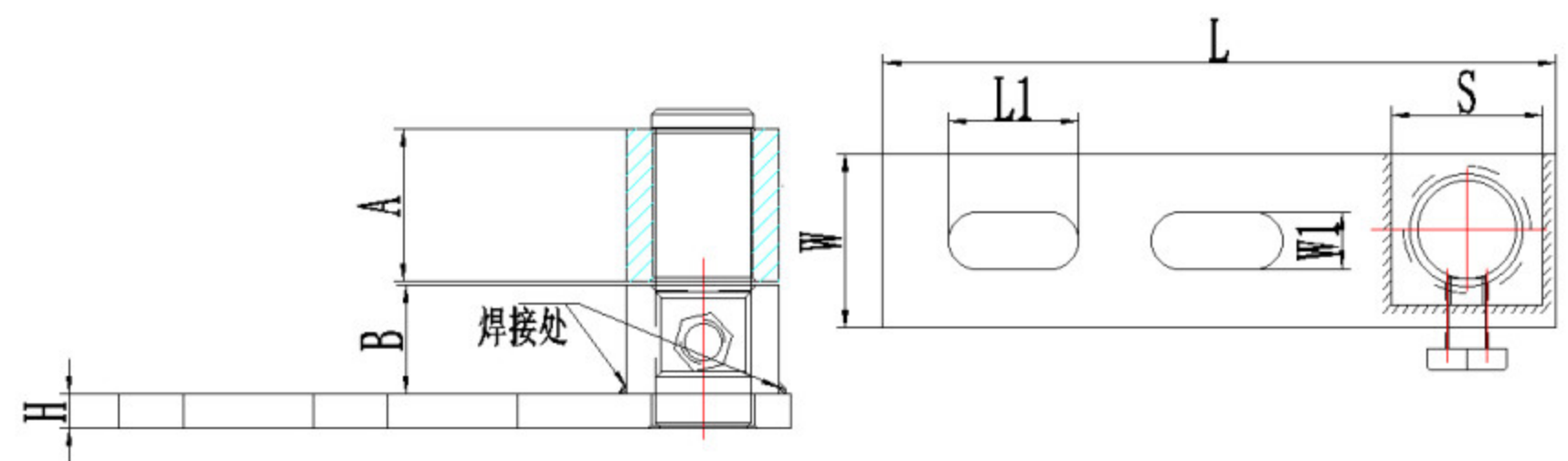


Model:110502



Model:0105series

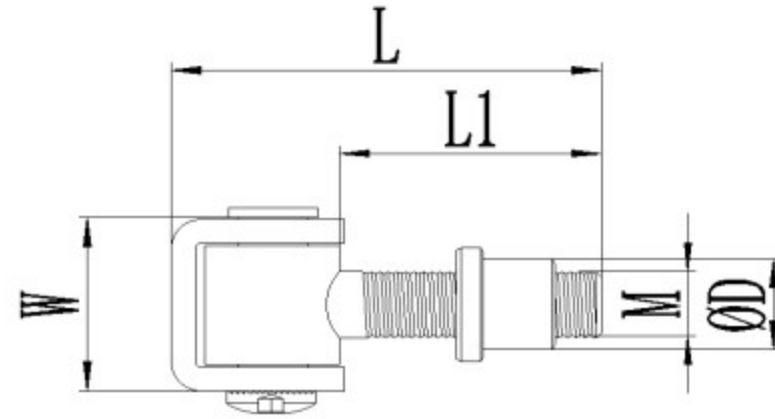
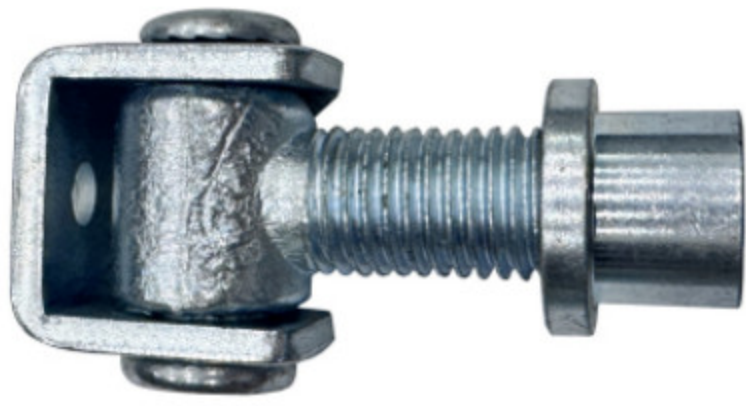
NO.	L	L1	ΦD	W	W1
010501	80	40	26	40	40
010503	73	35	22	35	35



Model:0105series

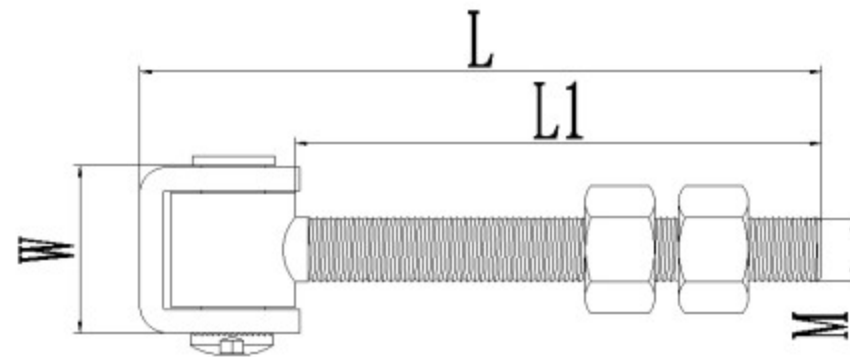
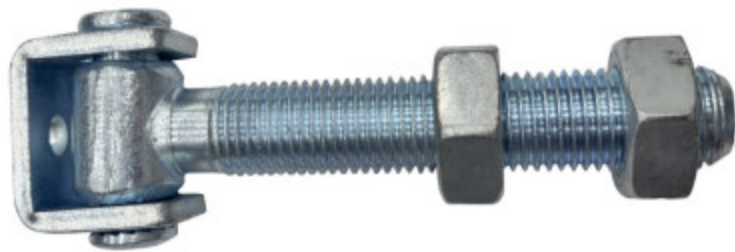
NO.	L	L1	S	W	W1	A	B	H
010502	175	40	40	50	16	40	28	8
010504	155	30	35	40	13	35	25	8

Adjustable Hinge



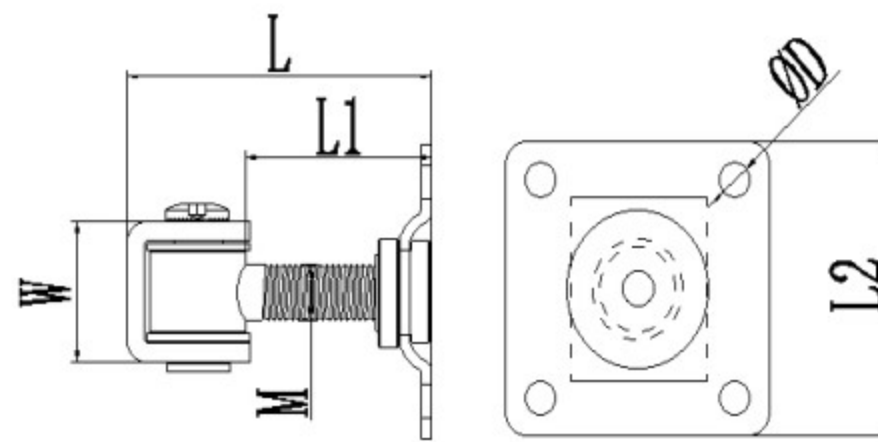
NO.	L	L1	W	ΦD	M
110102	74	42	36	22	M12
110103	88	53	36	25	M20
110115	75	43	36	20	M16

Model:1101series



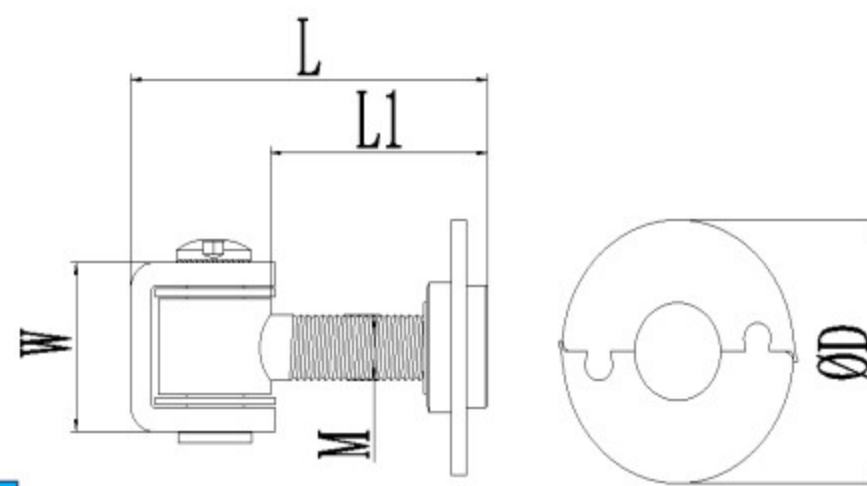
NO.	L	L1	W	M
110404	180	145	49	M24
110403	147	135	36	M16
110422	124	90	36	M20

Model:1104series



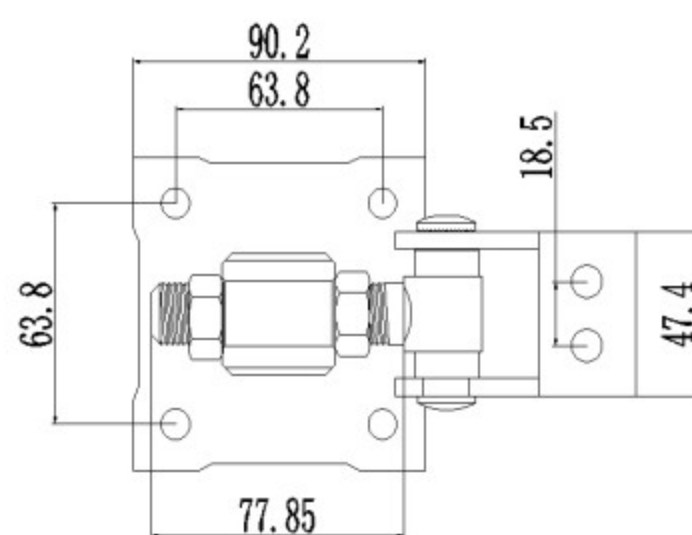
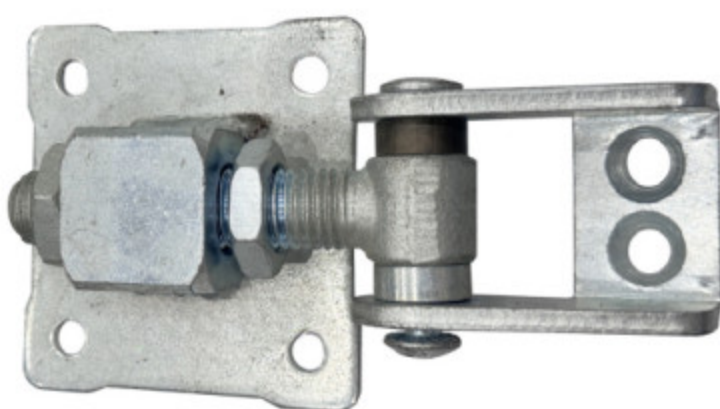
NO.	L	L1	W	M	ΦD	L2
110109	88	53	36	M20	11.5	100
110110	73	43	36	M16	10	80
110118	94	59	49	M24	11	120

Model:1101series

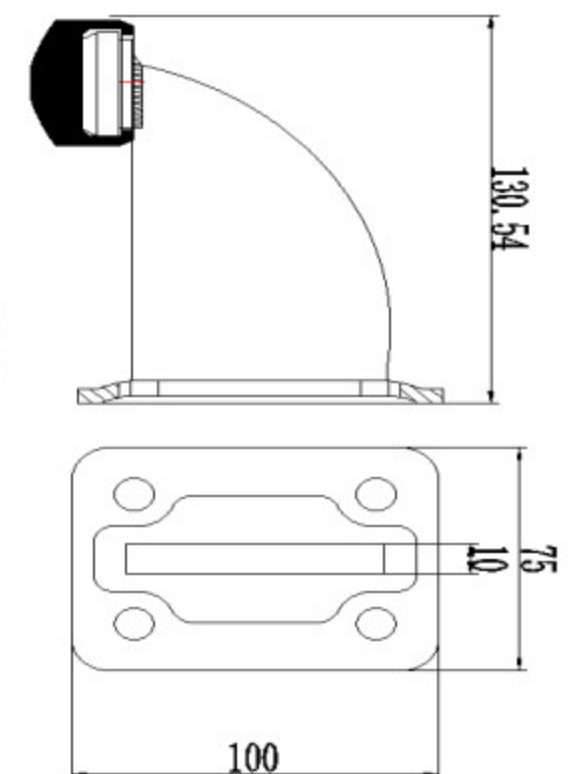


NO.	L	L1	W	M	ΦD
110101	73	43	36	M16	54
110104	88	53	36	M20	62.5

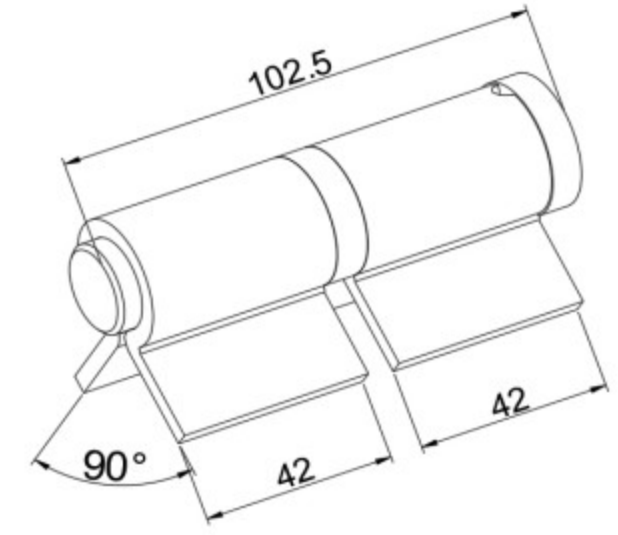
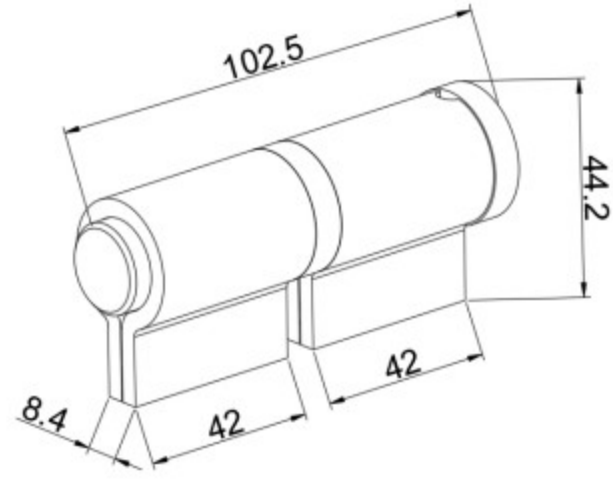
Model:1101series



Model:110108

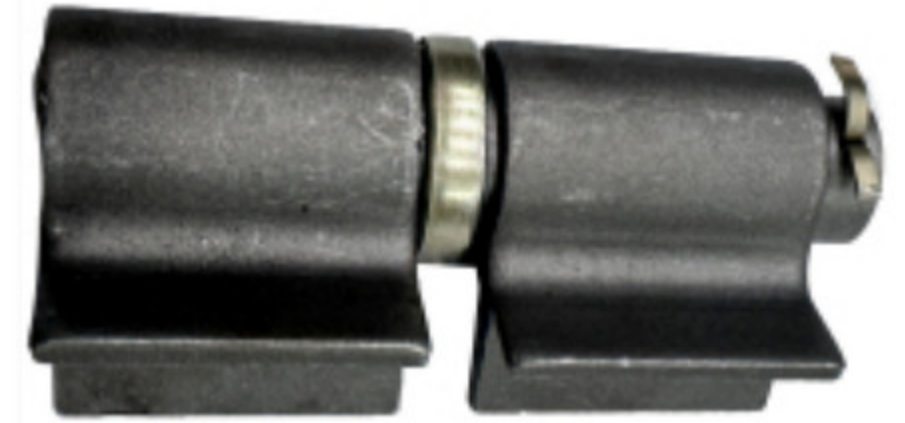
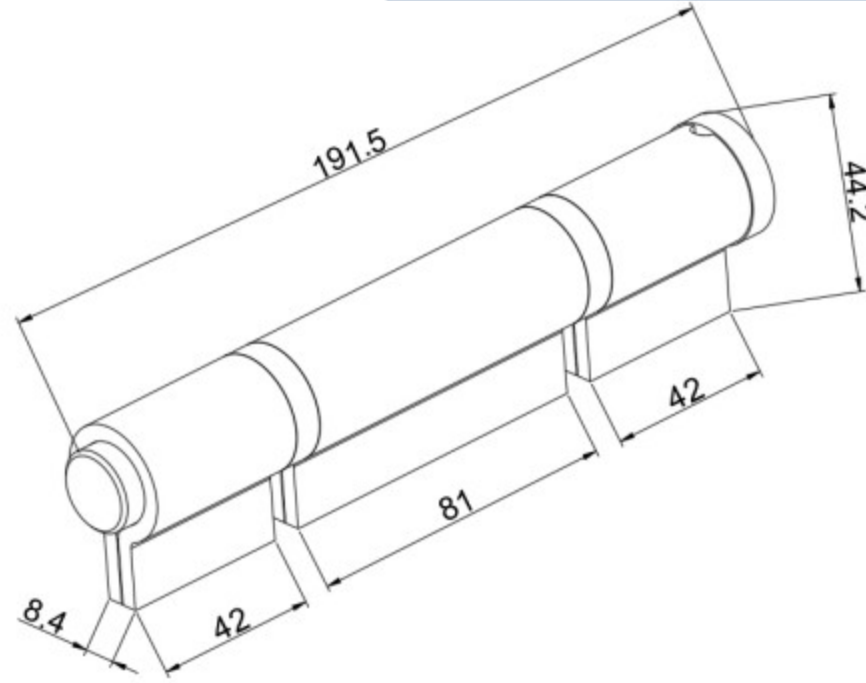
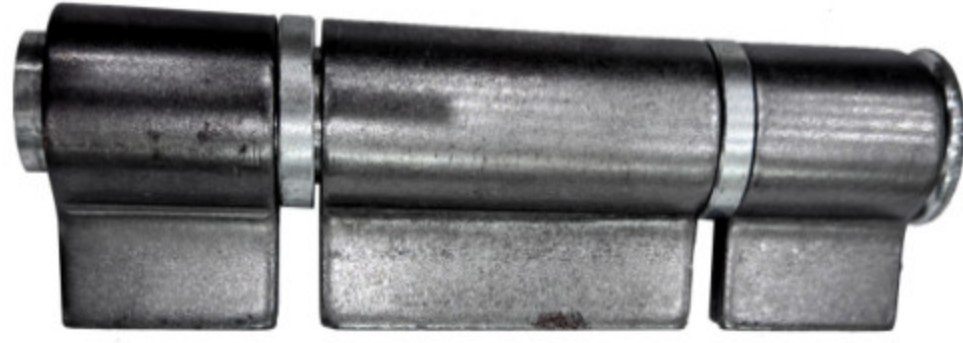


Model:110215

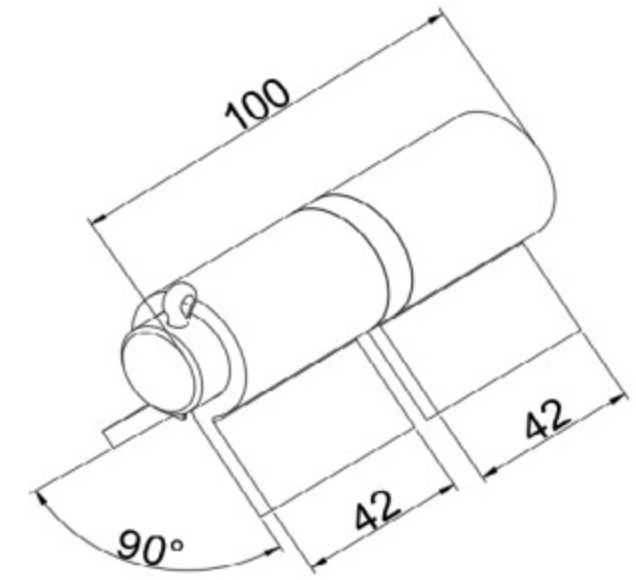
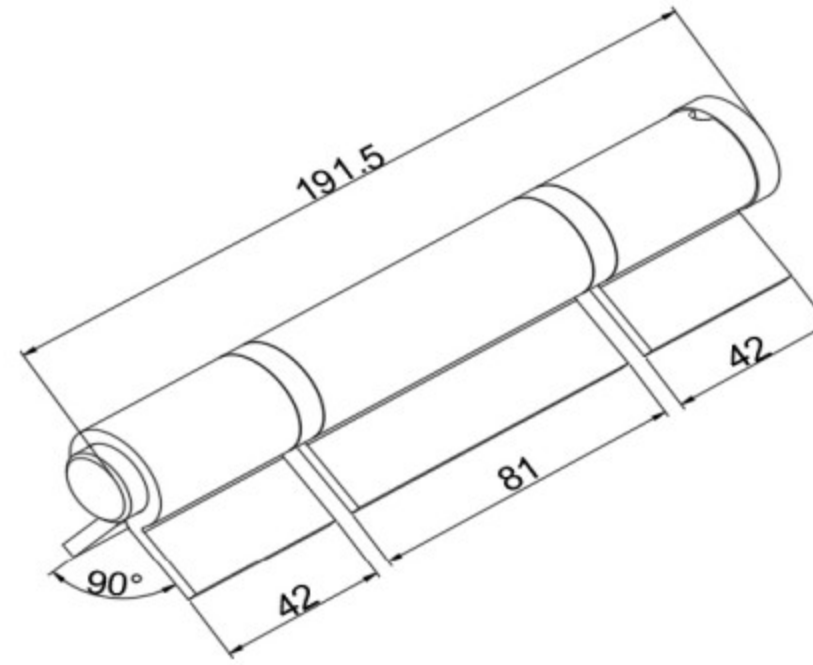


Model:110412

Model:110434

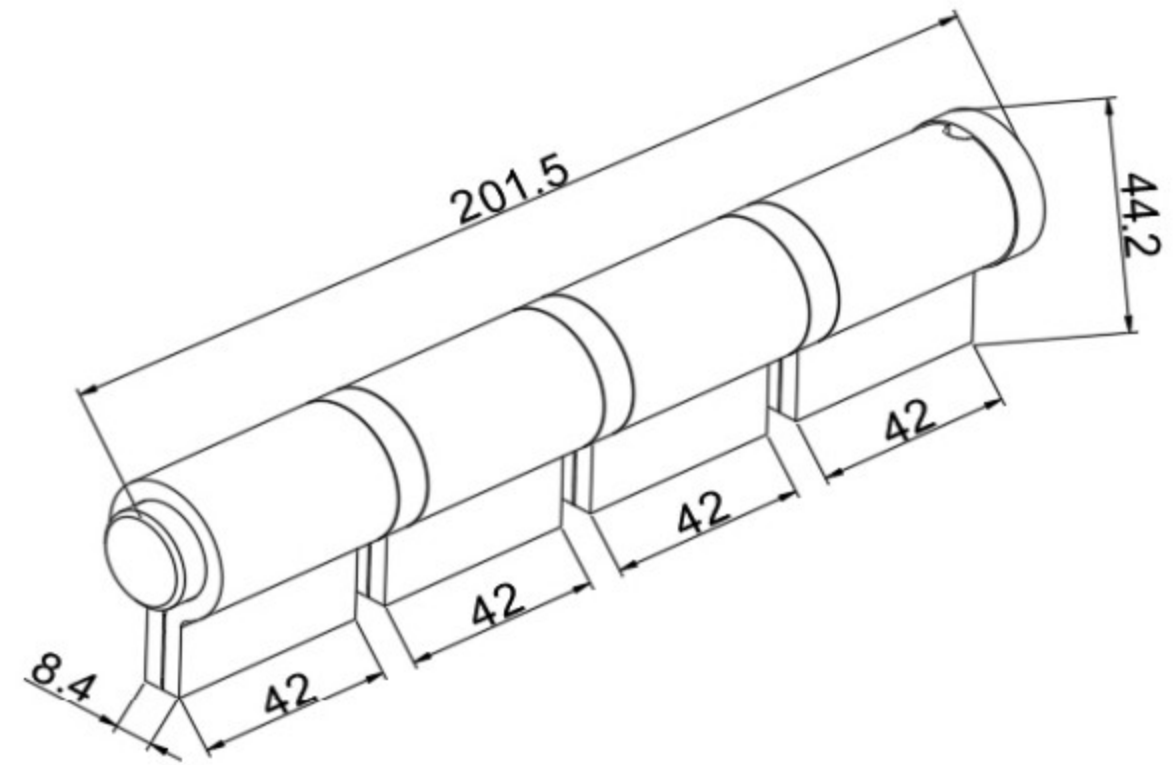


Model:110413

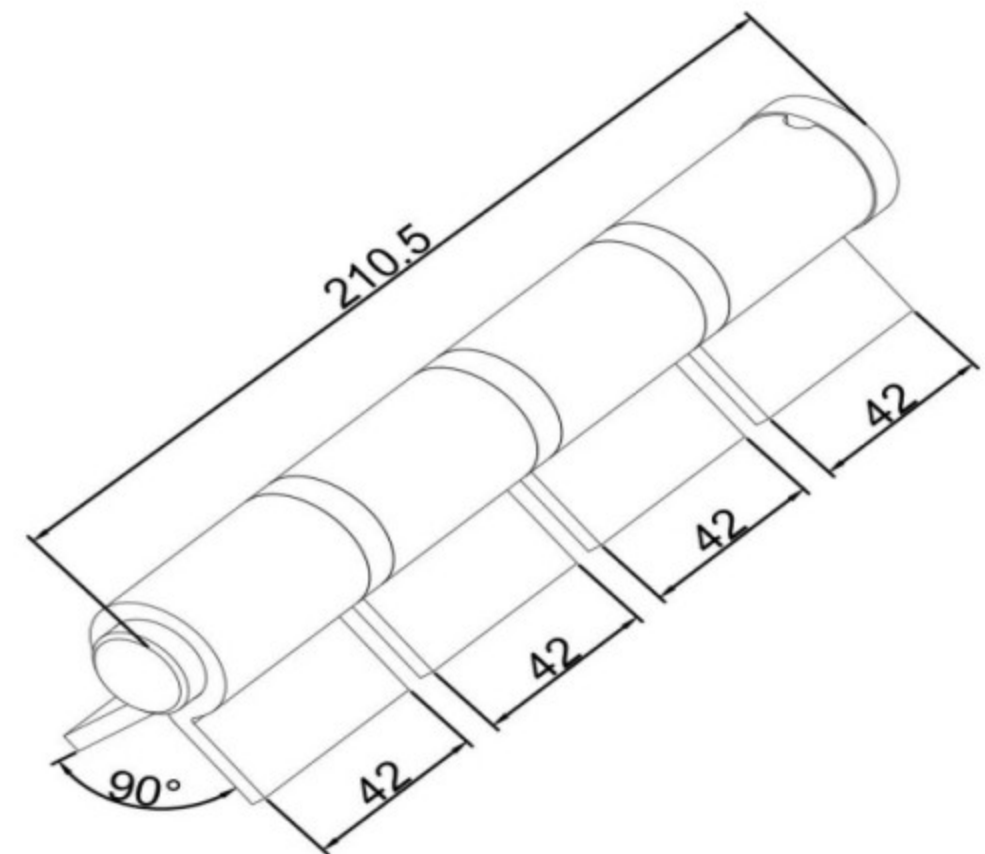


Model:110410

Model:110503



Model:110414



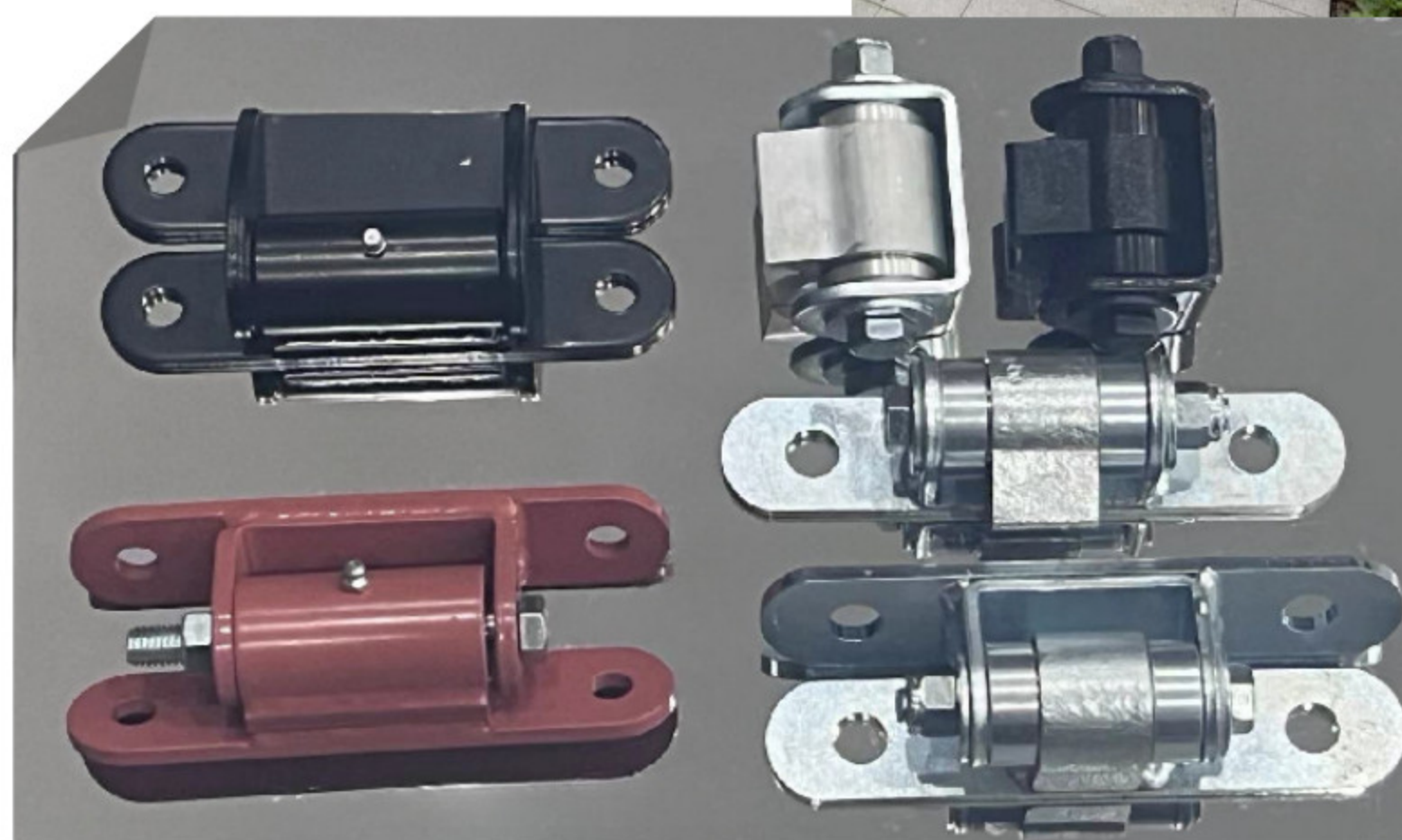
Model:110411

The Hinges

They are used for the Heavey duty door or wooden fence gate.

The material is iron, etc.

In addition to producing standard sizes, we can also manufacture the specific sizes requested by the customers.

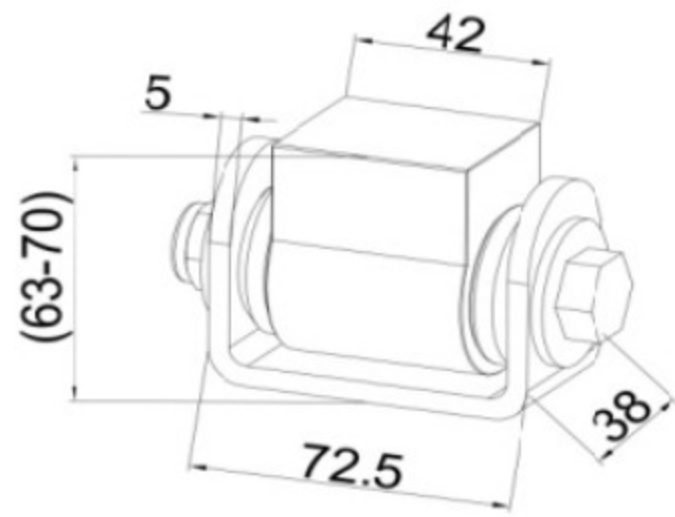
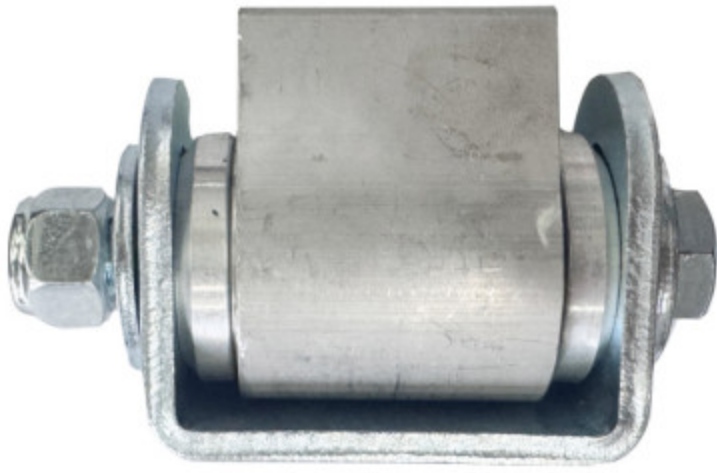


The Hinges

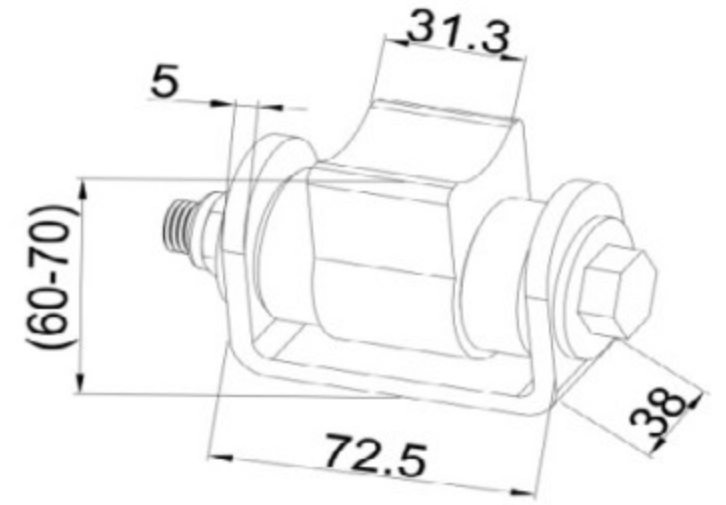
They are used for the Heavey duty door or wooden fence gate.

The material is iron, stainless steel, etc.

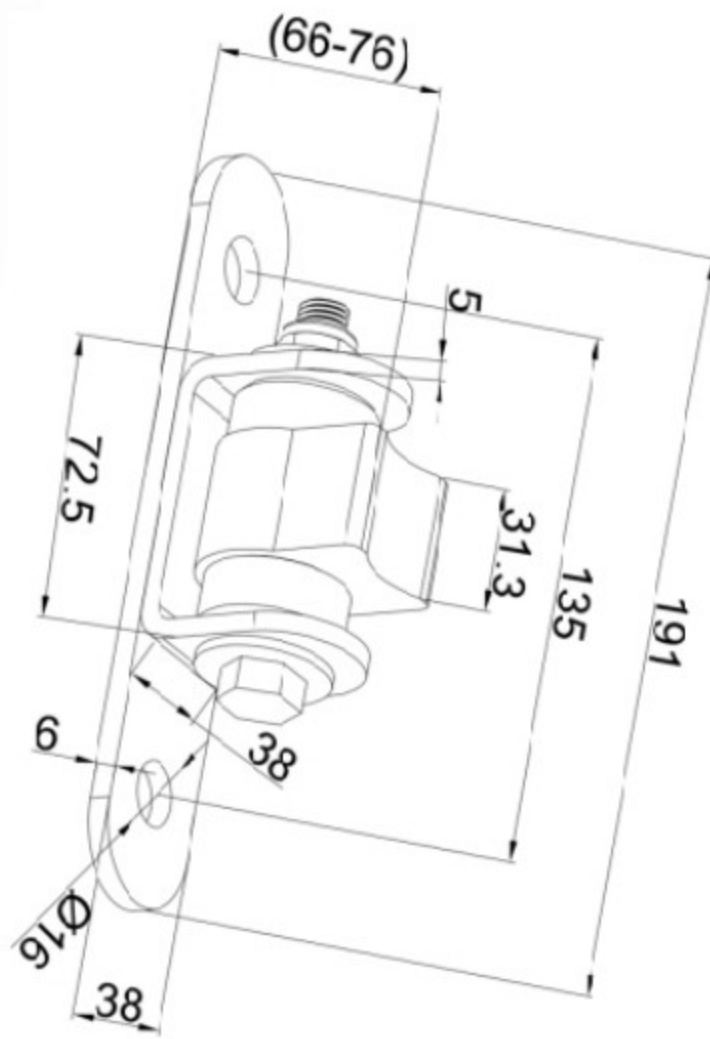
The color is available with black, red, silver, blue-white zinc, etc. In addition to producing standard sizes, we can also manufacture the specific sizes requested by the customers.



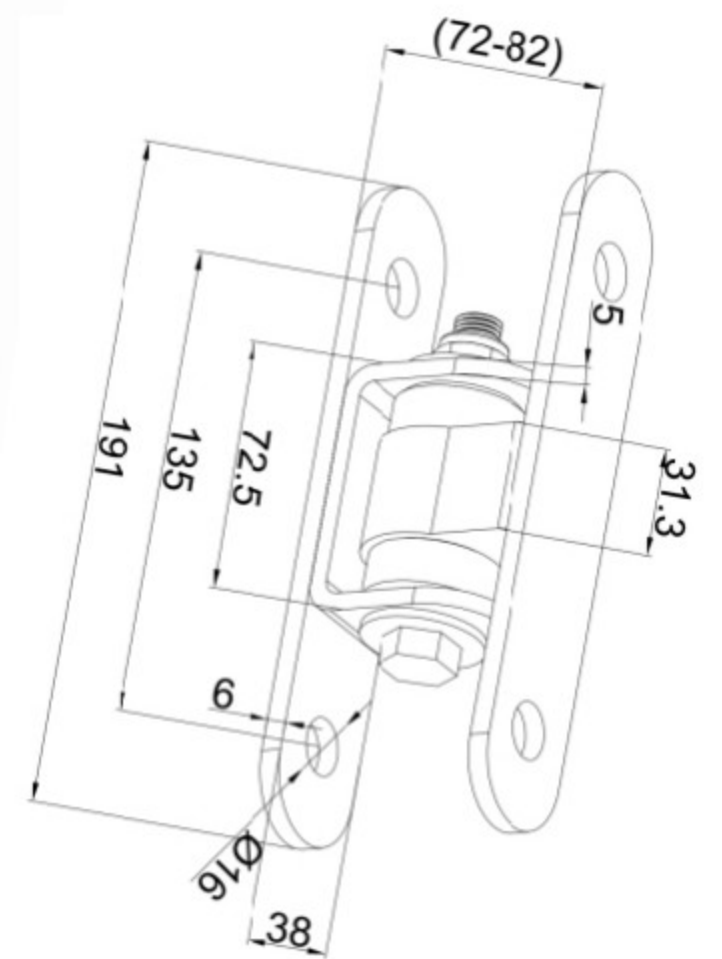
Model: 110202



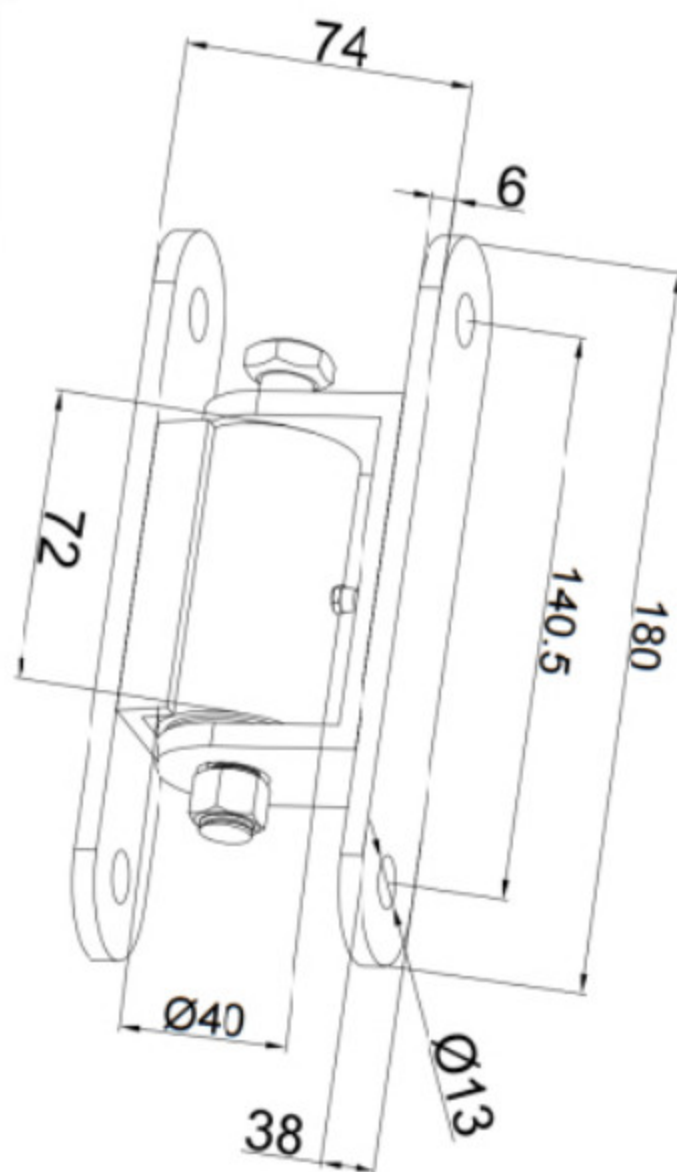
Model: 350437



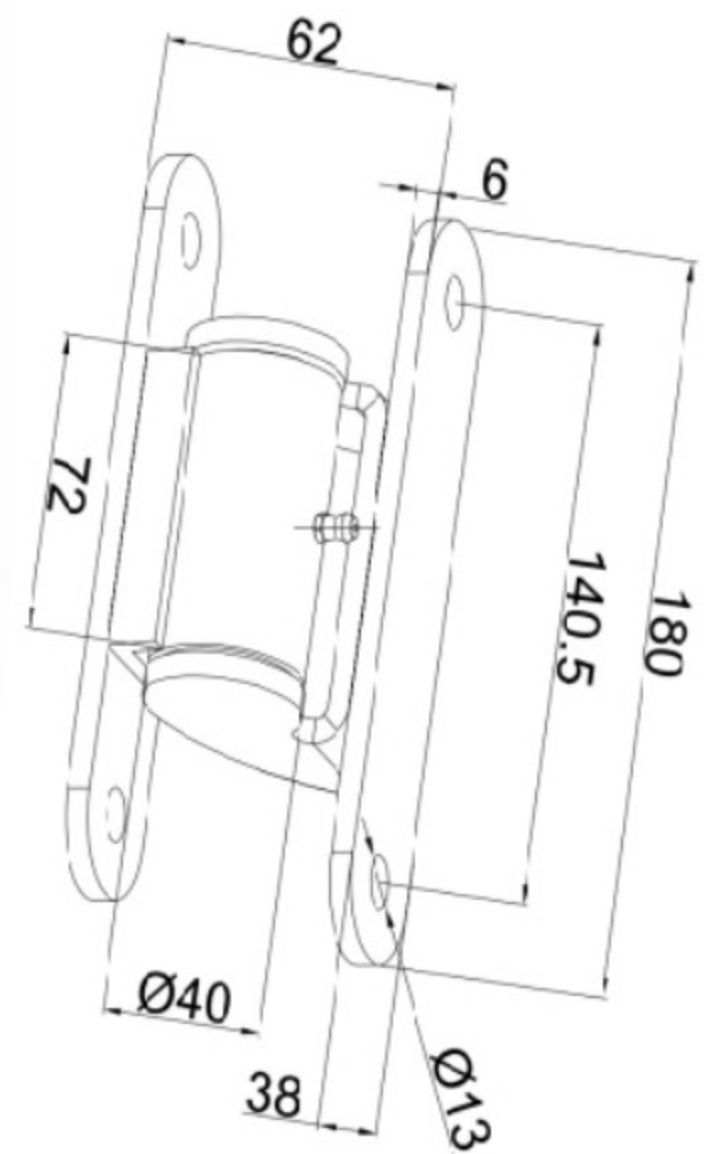
Model: 350510-1



Model: 350510



Model: 350627

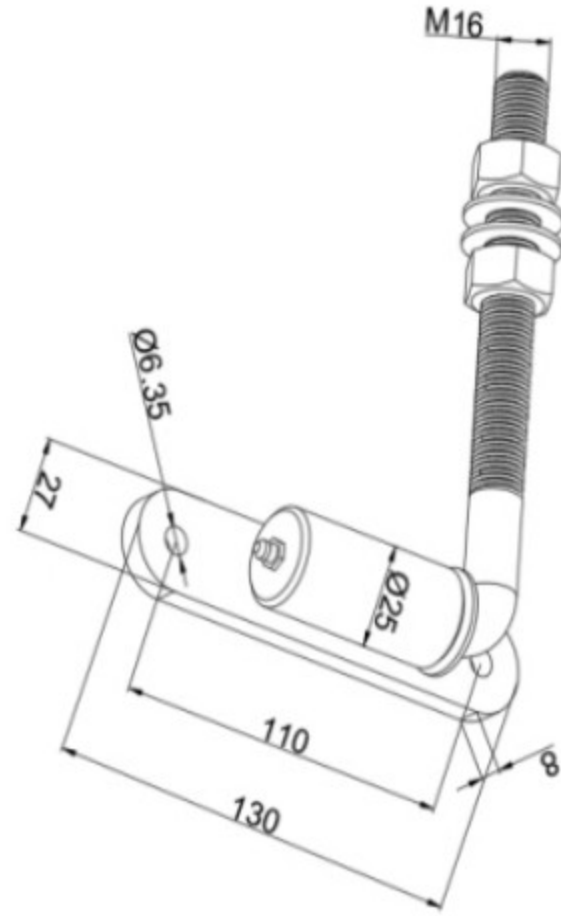


Model: 350626

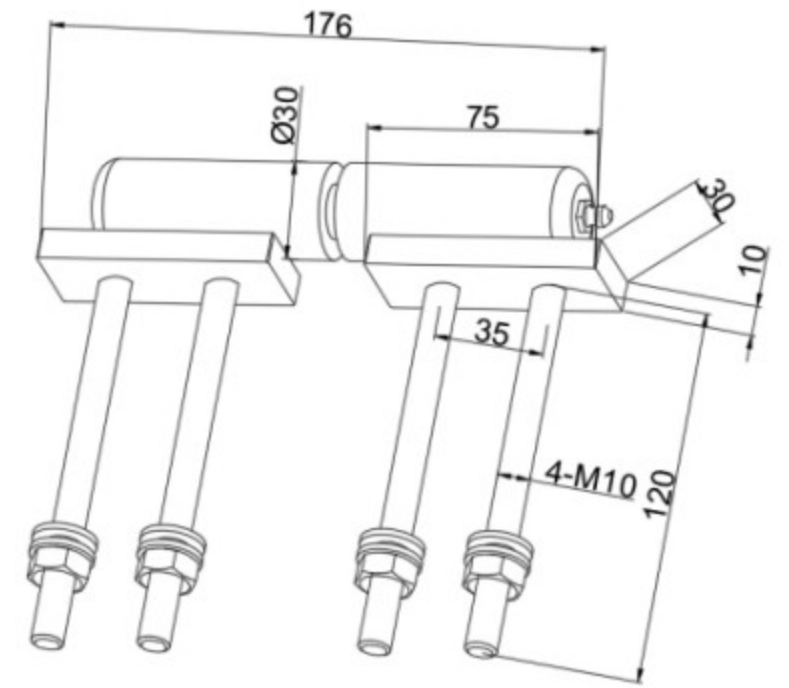
Heavy Duty Hinge



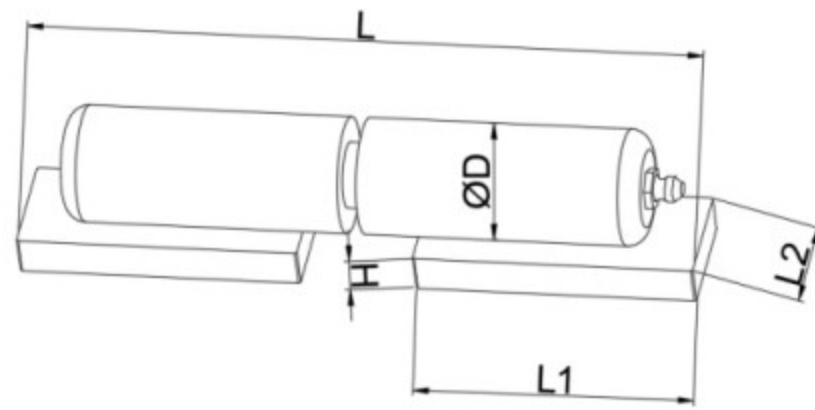
Model:110507



Model:350631



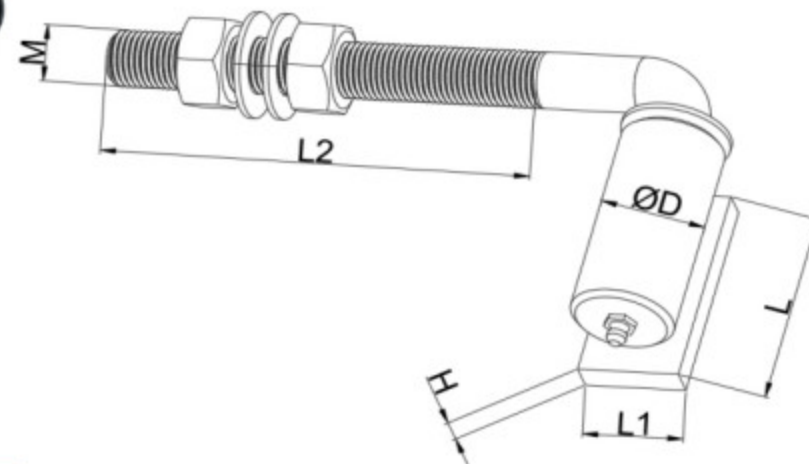
Model:6801series



NO.	L	L1	L2	H	ØD
680120	127	54	25	10	25
680128	174	75	40	10	35



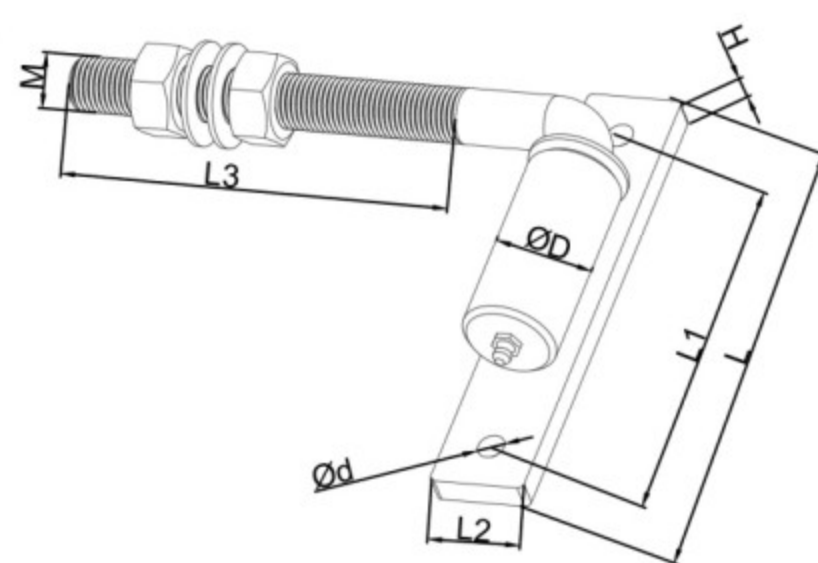
Model:6801series



NO.	L	L1	L2	H	ØD	M
680116	54	25	123	10	25	M16
680117	75	35	150	10	35	M20



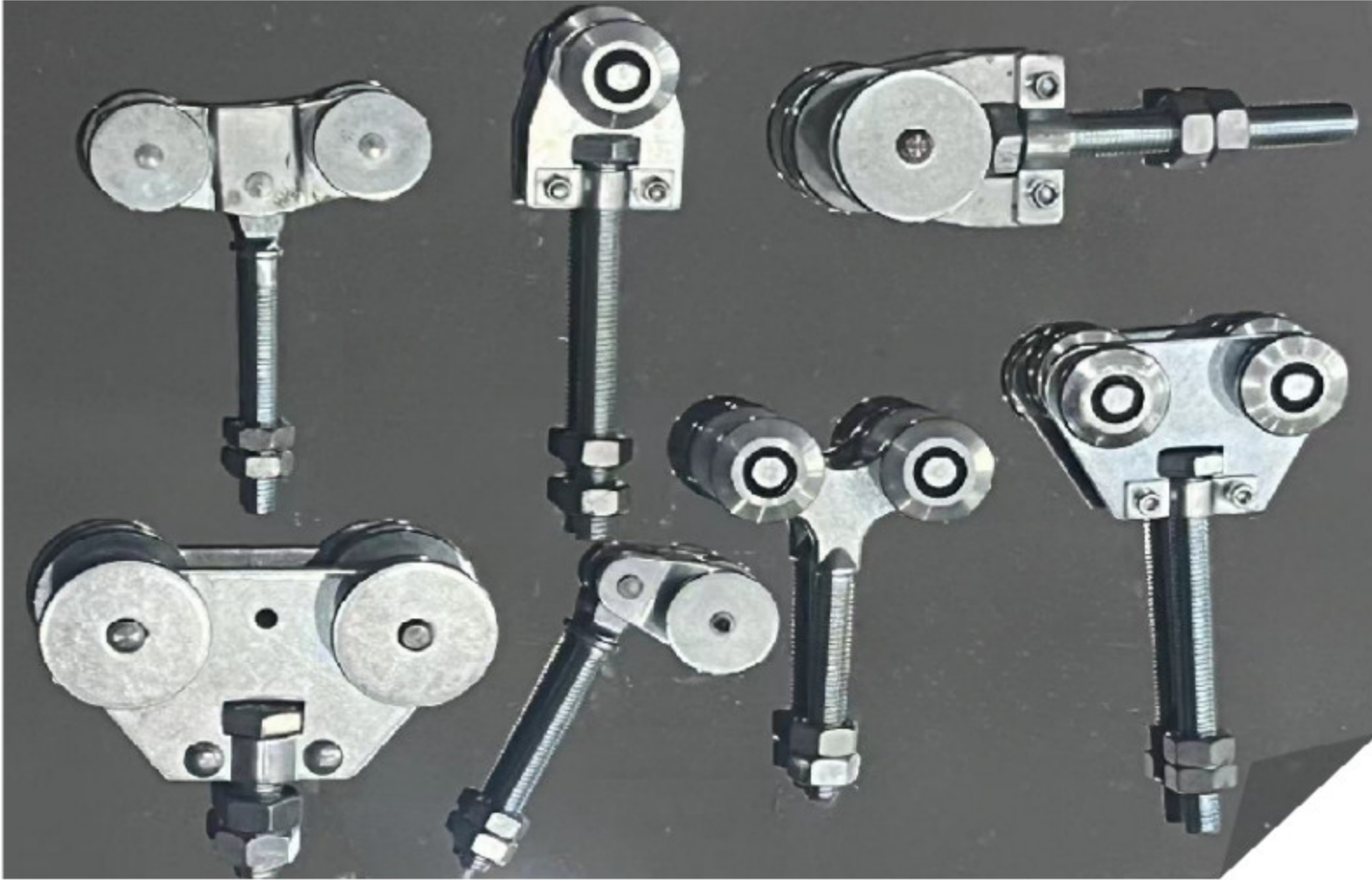
Model:3506series



NO.	L	L1	L2	L3	H	ØD	Ød	M
350723	130	110	103	27	8	25	6.5	M16
350604	178	143	150	36	10	35	10	M20

The Lifting Pulley(wheel)

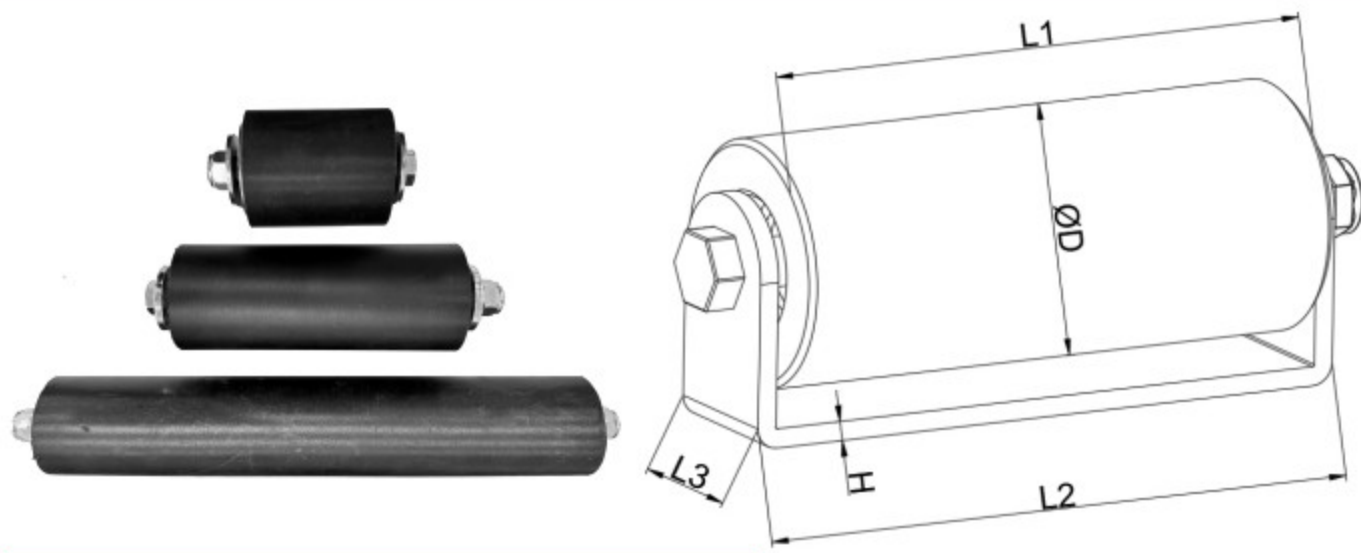
They are used for the Lifting gate.



The Pulley

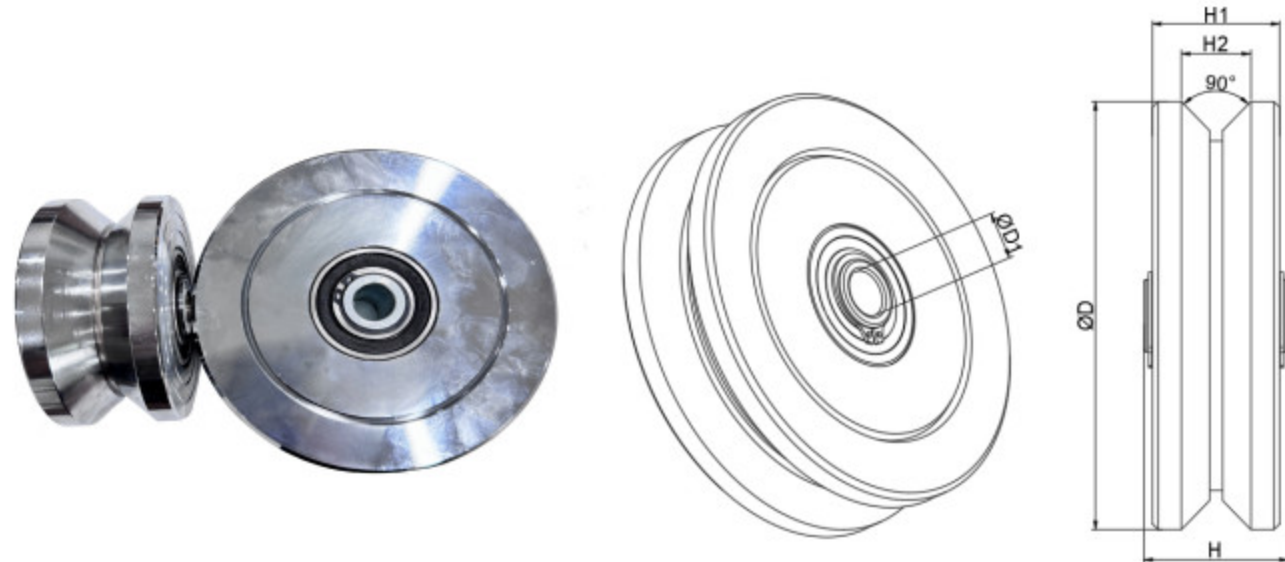
They are used for the courtyard gate.





Model: 0207series

NO.	L1	L2	L3	ΦD	H
020701	305	322	30	60	3
020702	146	160	38	63.7	5
020703	76	90.5	30	60	3



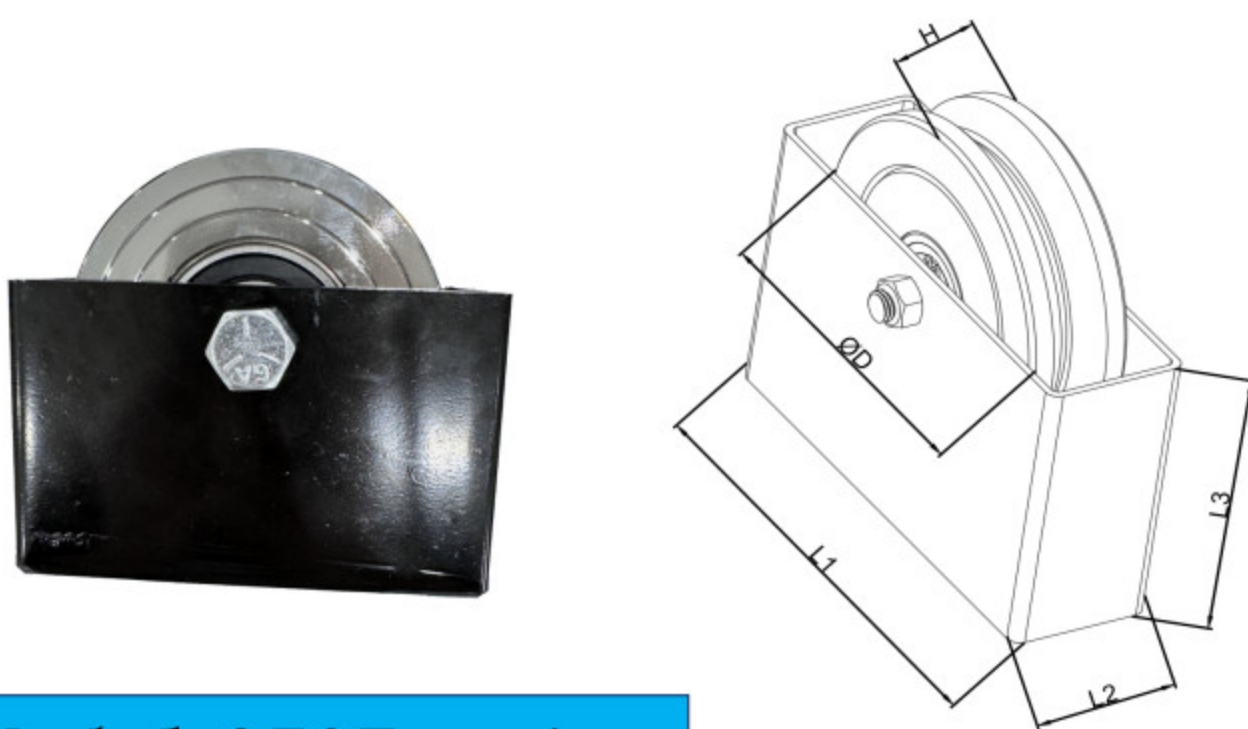
Model: 6801series

NO.	H	H1	H2	ΦD	ΦD1
680130	51	32	16	76	12.5
680129	51	32	22	88	12.5
680111	51	45	26	98	13.2
680206	50	44	24	148	16.5



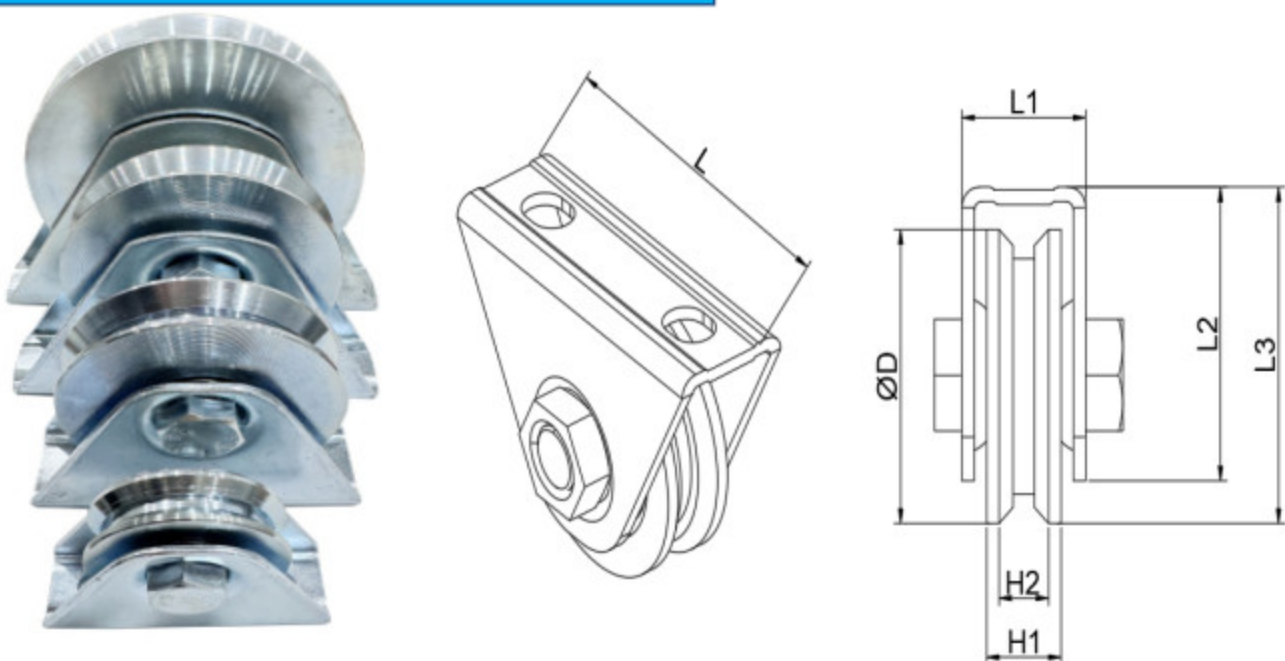
Model: 7201series

NO.	H1	H2	L1	L2	ΦD
720105	15	5	120	38	52
720106	19	6	132	50	72
720107	23	6	143	50	90



Model: 3507series

NO.	L1	L2	L3	ΦD	H
350722B	95	57	67	84	32
350722	125	57	79	98	45

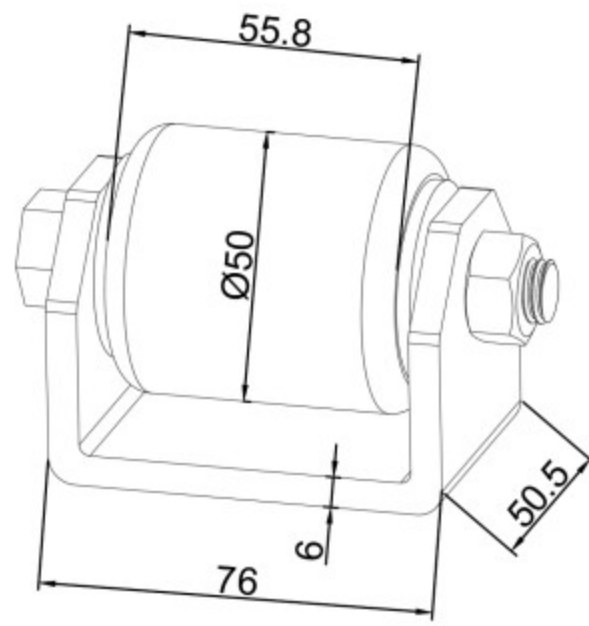


Model: 7201series

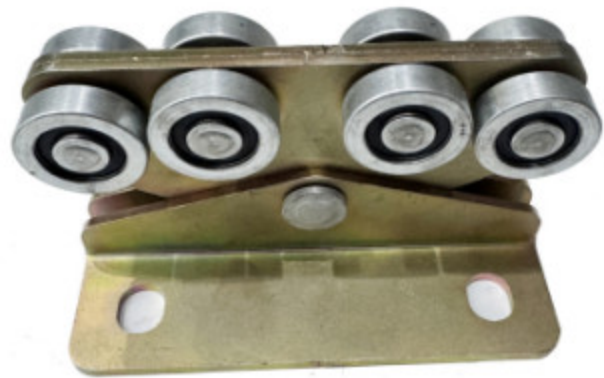
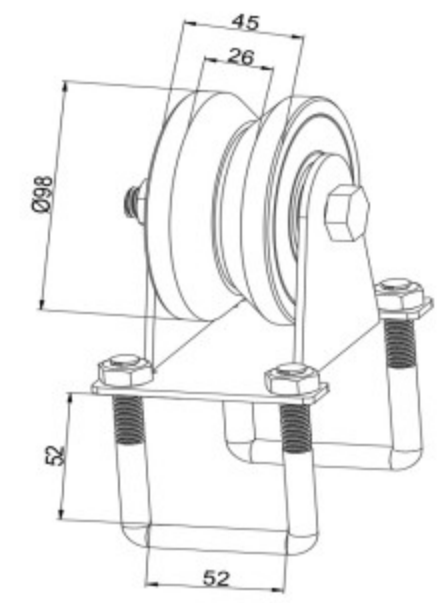
NO.	L	L1	L2	L3	H1	H2	ΦD
720101	75	25	50	57	15	11	50
720102	100	32	68	79	17	12	63
720103	100	32	68	87	20	16	78
720104	132	36.5	82	100	20	16	88



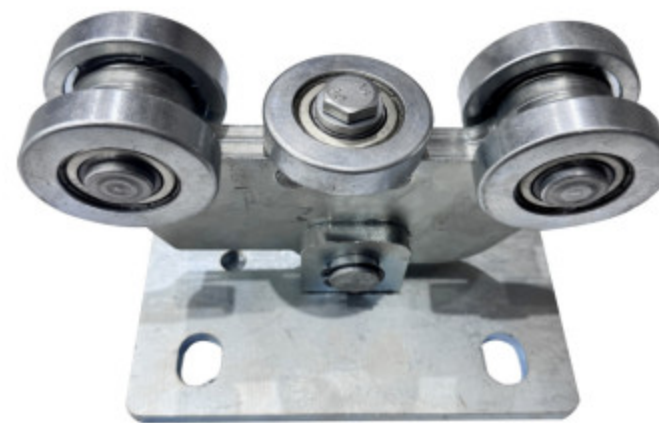
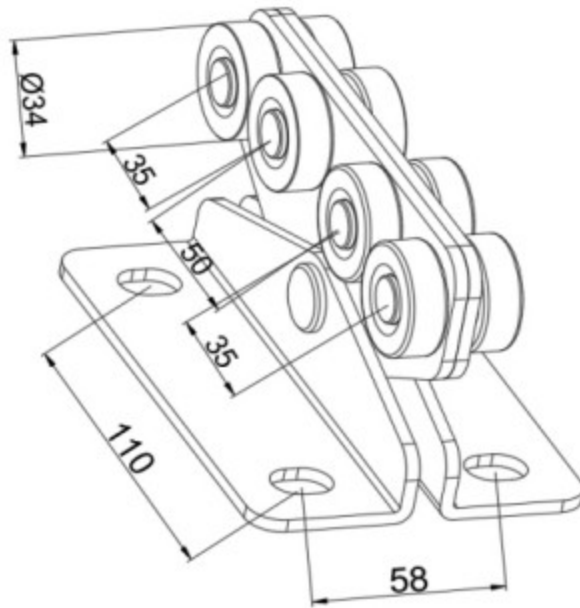
Model: 150401



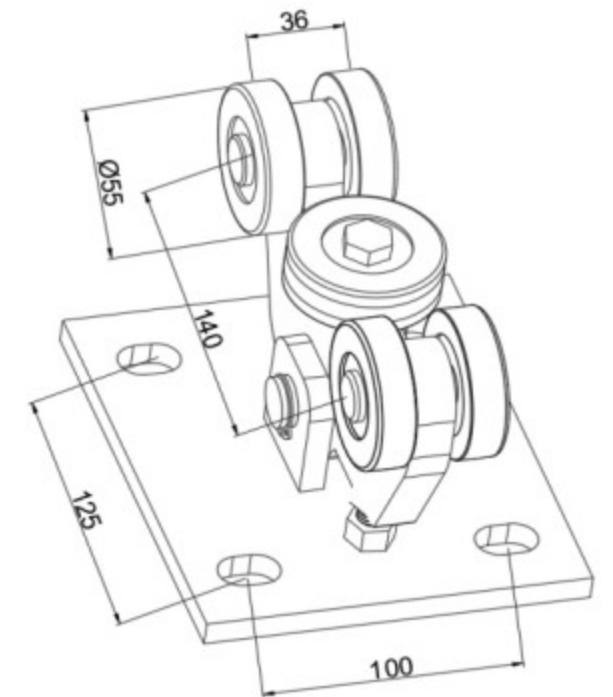
Model : 350726



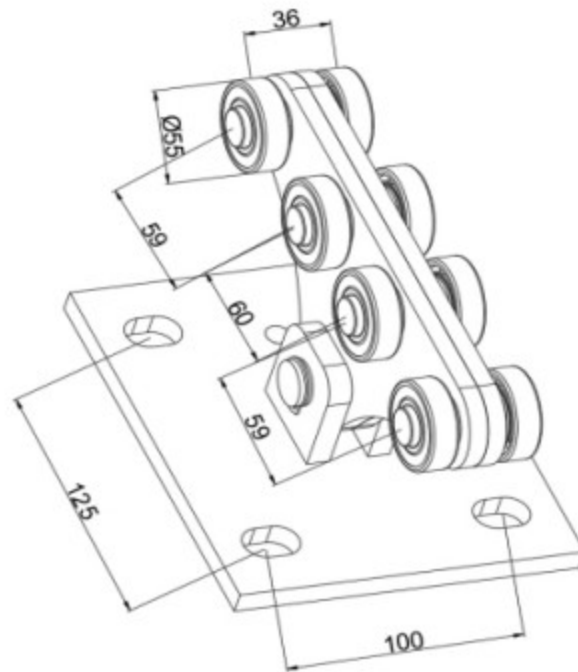
Model : 020713



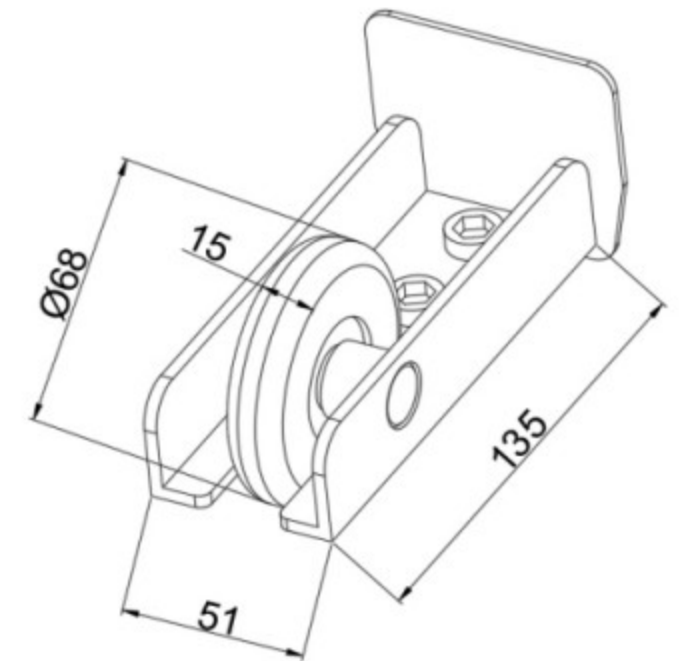
Model: 020707



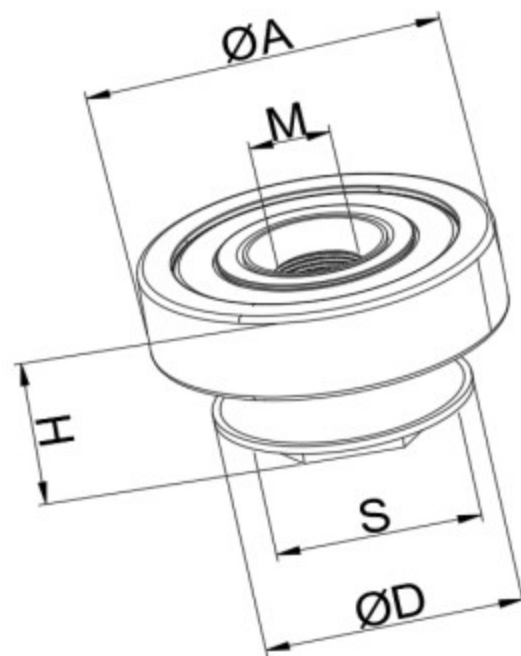
Model: 020708



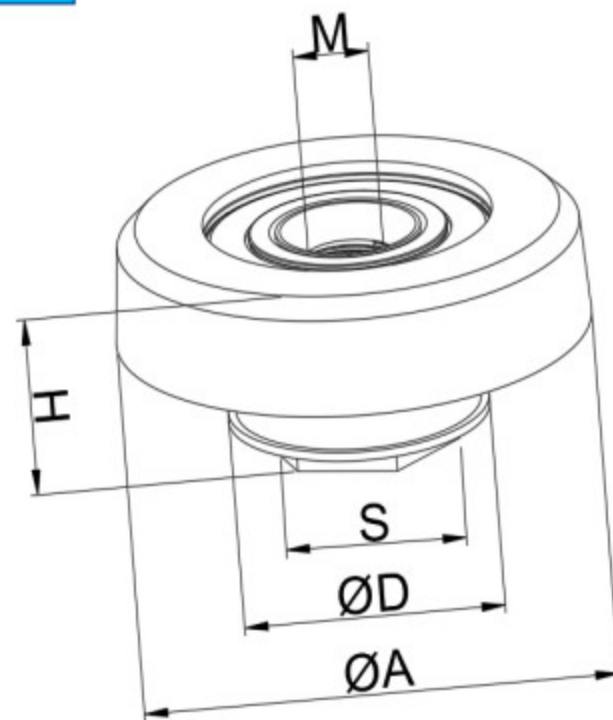
Model : 110307



Model: 0102series



Model: 0102series



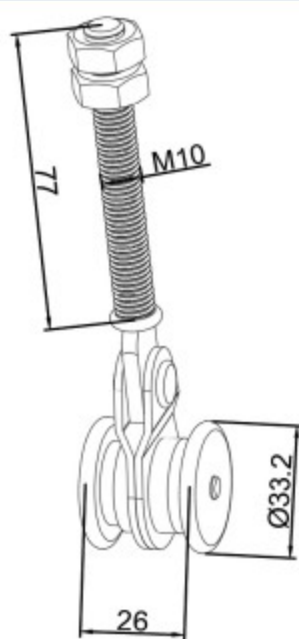
NO.	ΦA	ΦD	H	S	M
010202	35	30	25	23	M12
010203	40	32	32	27	M14
010205	52	32	30	27	M16
010206	72	50	37	36	M16
010209	52	32	29	27	M14
010211	62	45	35	30	M16
010212	32	30	24	23	M12

NO.	ΦA	ΦD	H	S	M
010201	82	45	36.5	30	M16
010207	40	45	36	30	M16
010208	90	45	36.5	30	M16
010210	62	45	36.5	30	M16

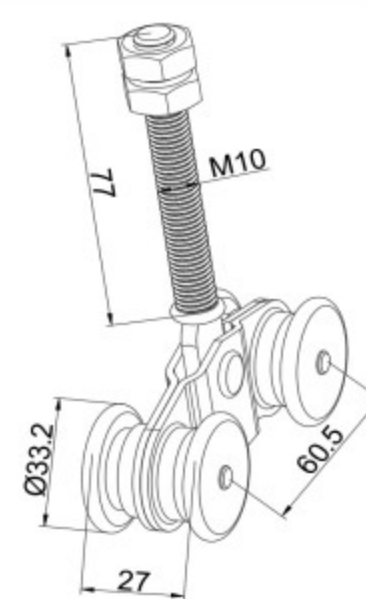
Suspension Wheel



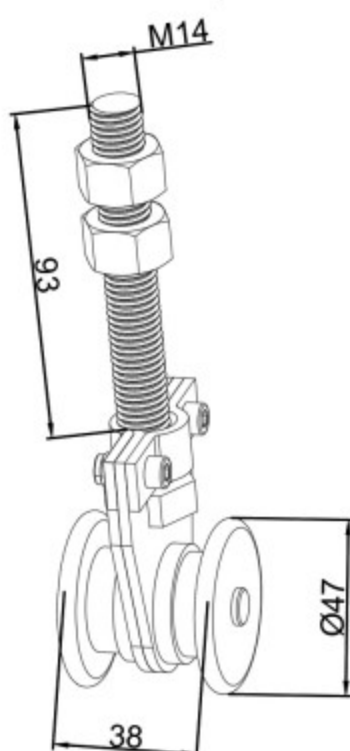
Model:010609



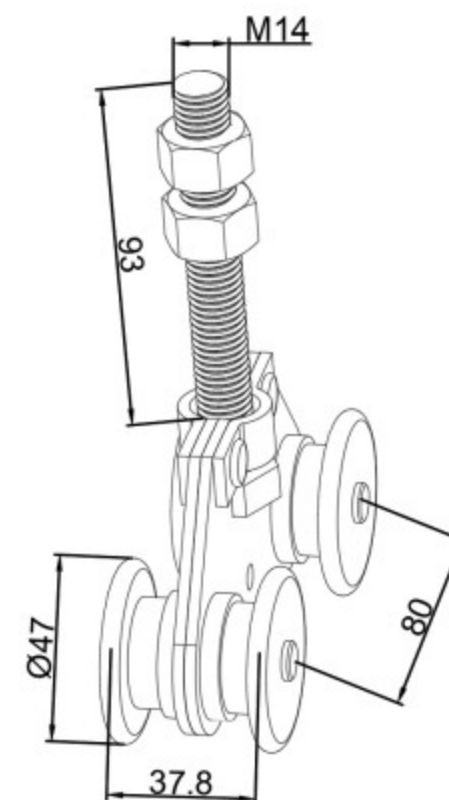
Model:010608



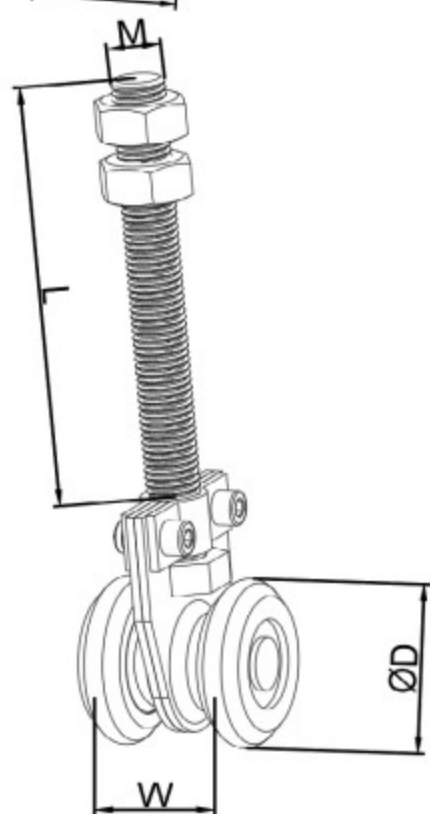
Model : 010611



Model :010610



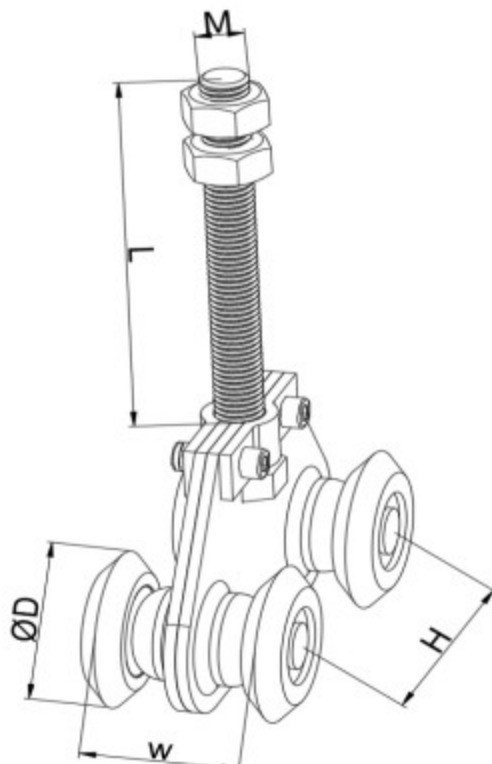
Model:0108series



NO.	L	W	ΦD	M
010803	108	27	34	M12
010801	108	40	44	M12



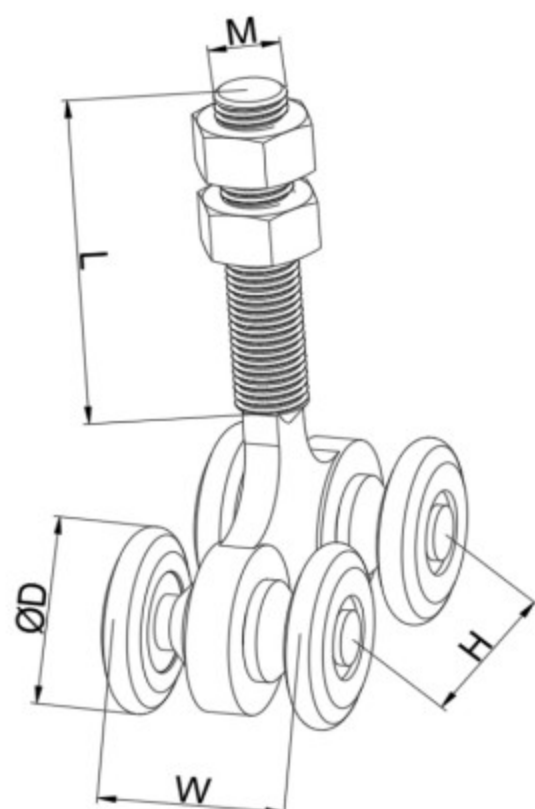
Model:0108series



NO.	L	W	H	ΦD	M
010804	108	54	27	34	M12
010802	108	70.5	40	44	M12



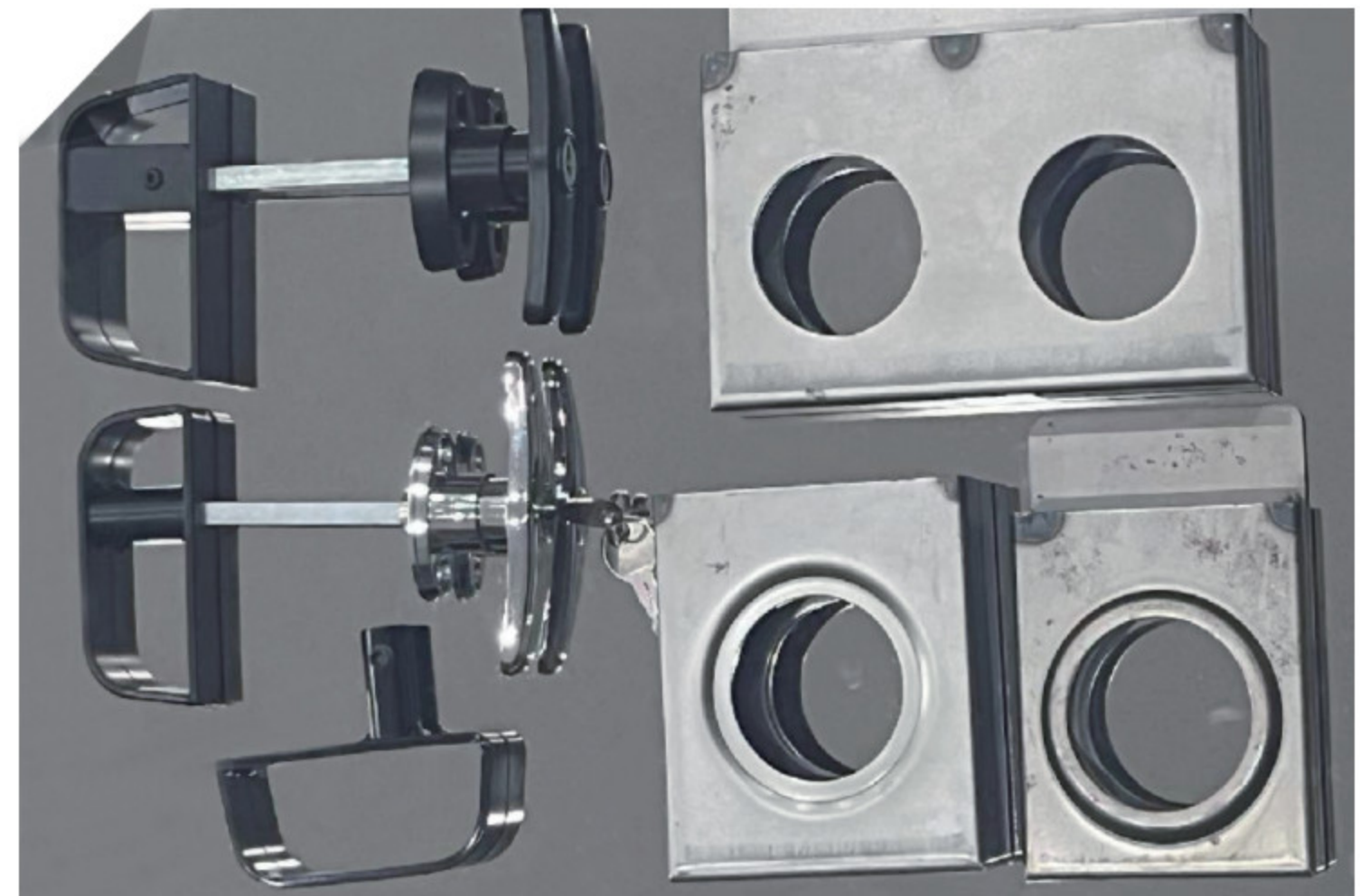
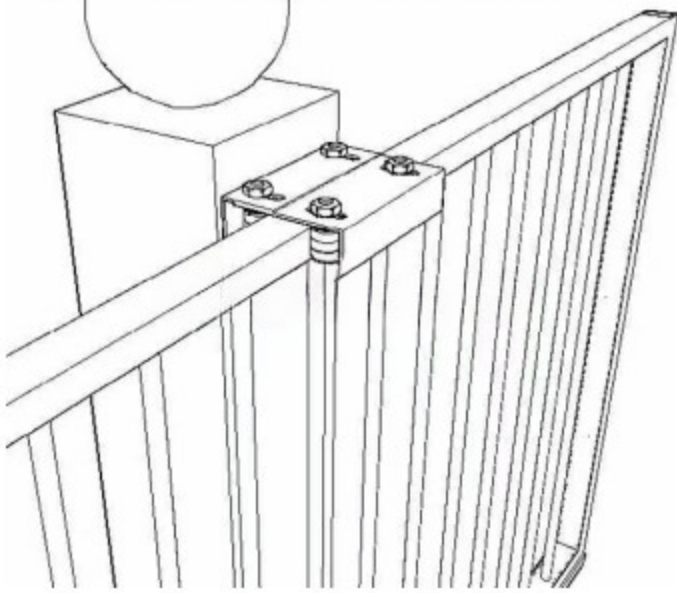
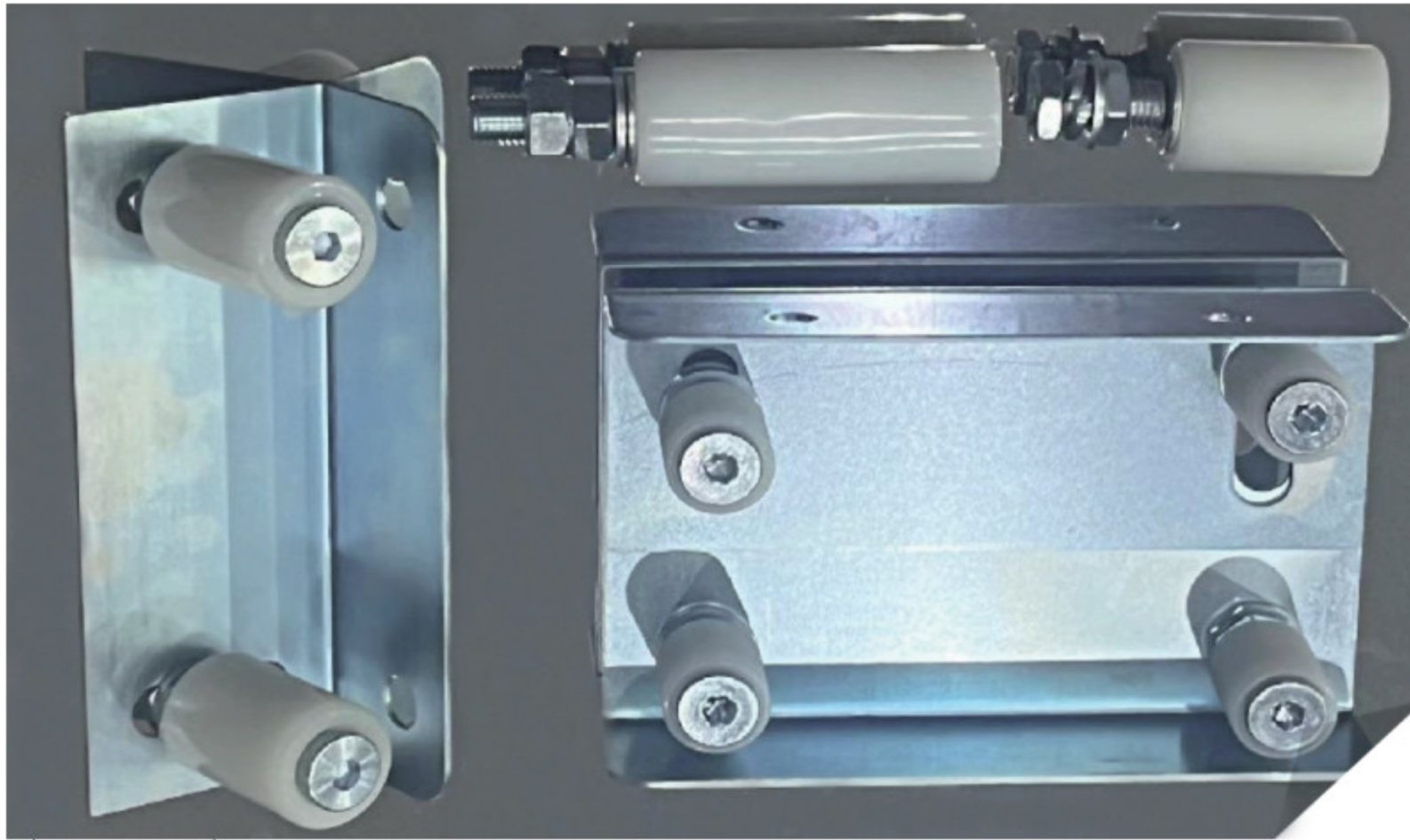
Model:0103series



NO.	L	W	H	ΦD	M
010320	108	26.5	50	34	M12
010314	108	40	60	44	M12

The Nylon Roller

They are used for the tracking, sliding and positioning.
In addition to producing standard sizes, we can also manufacture the specific sizes requested by the customers.



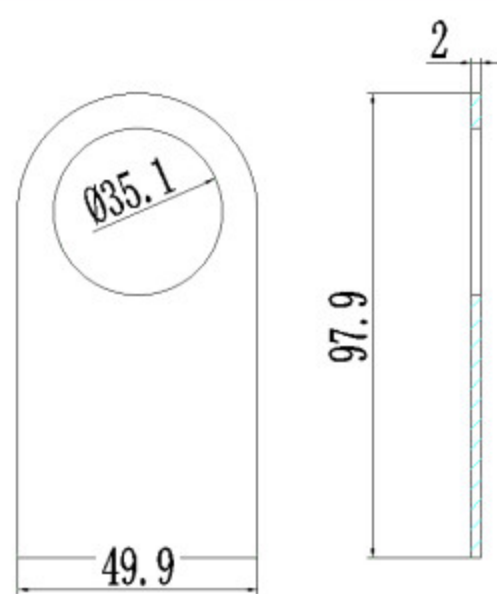
The Locks

They are used on door locks.
The lock shell material is iron,aluminum.
In addition to producing standard sizes, we can also manufacture the specific sizes requested by the customers.

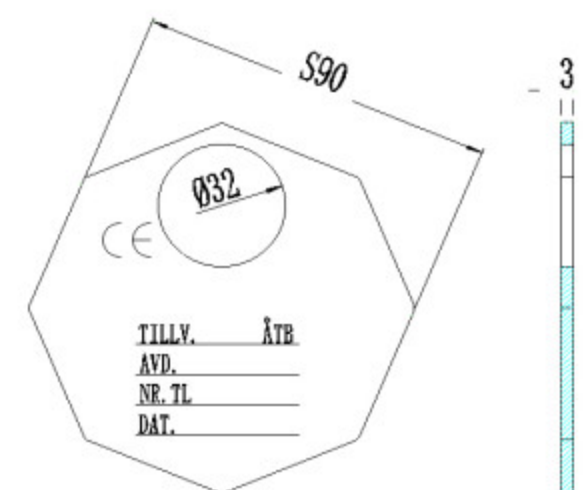
Hanging Tag



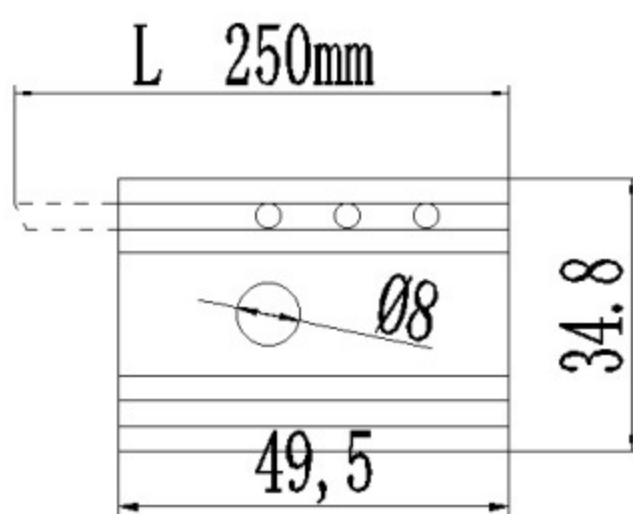
Model: 320101



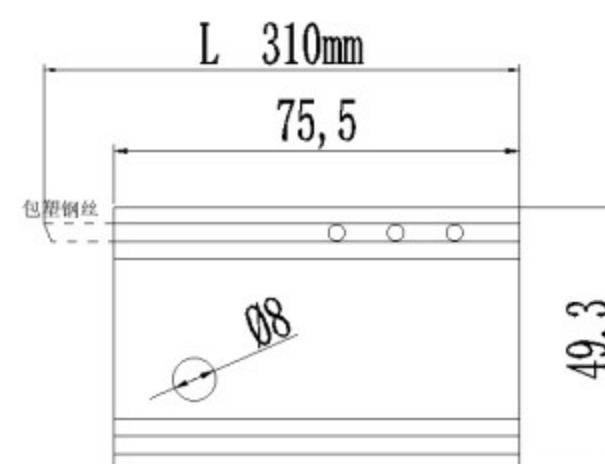
Model: 320140



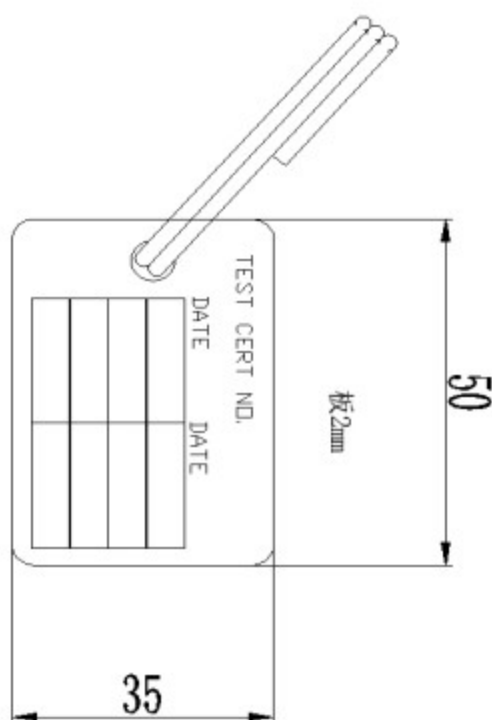
Model : 320102



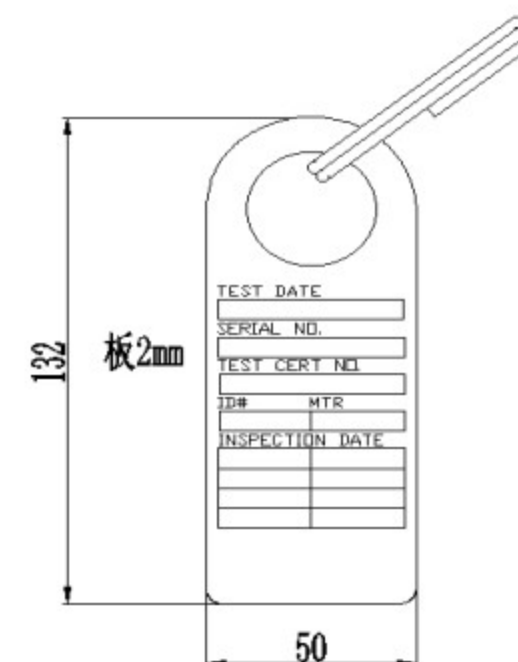
Model : 320103



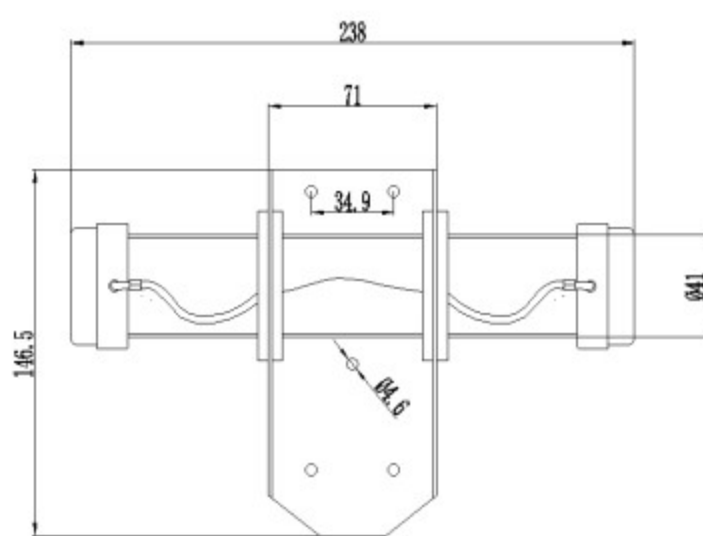
Model : 320306



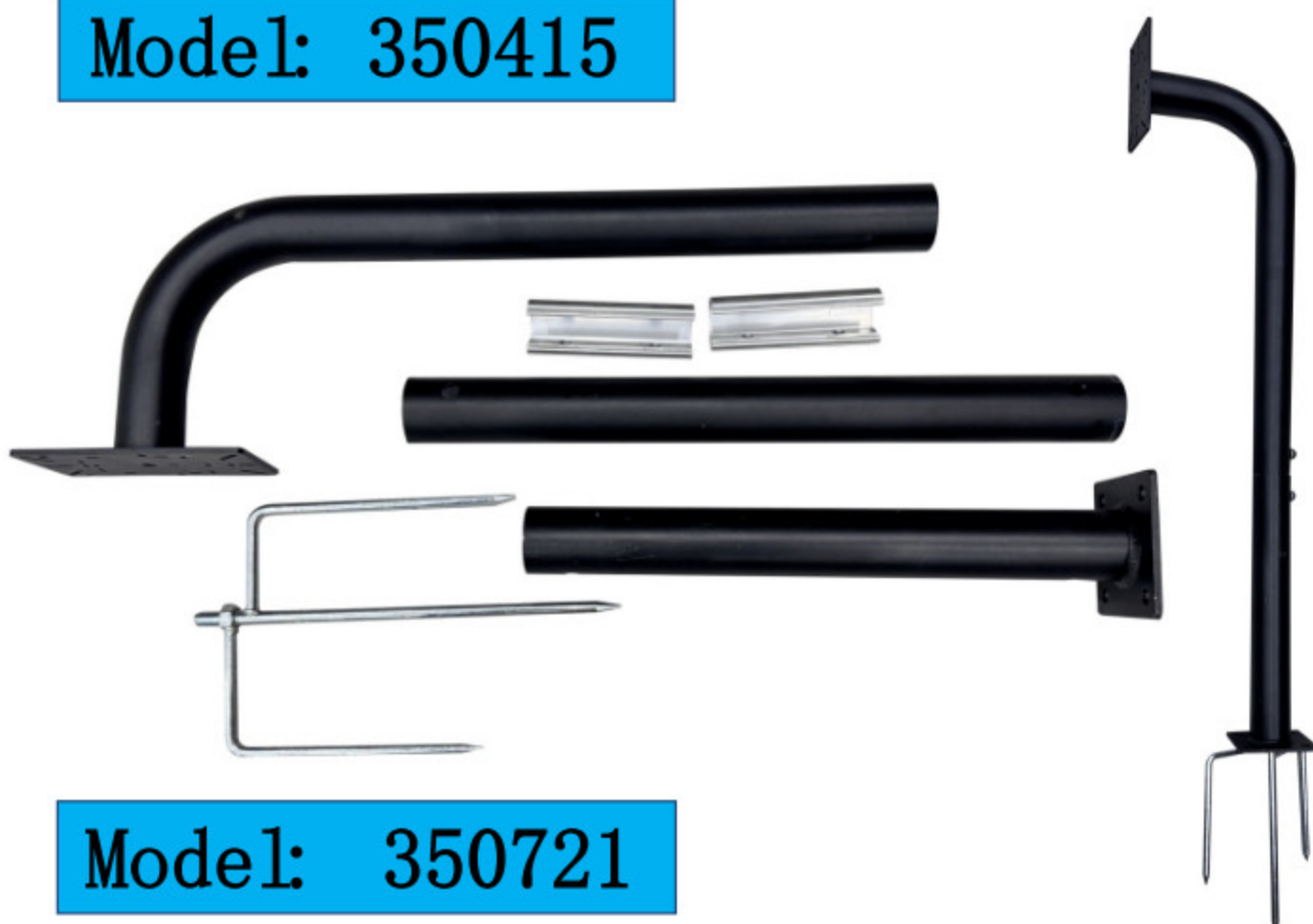
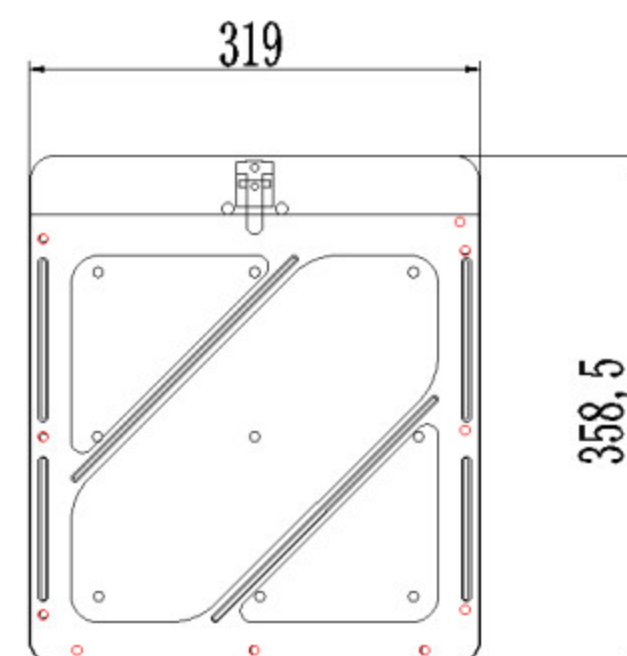
Model : 320310



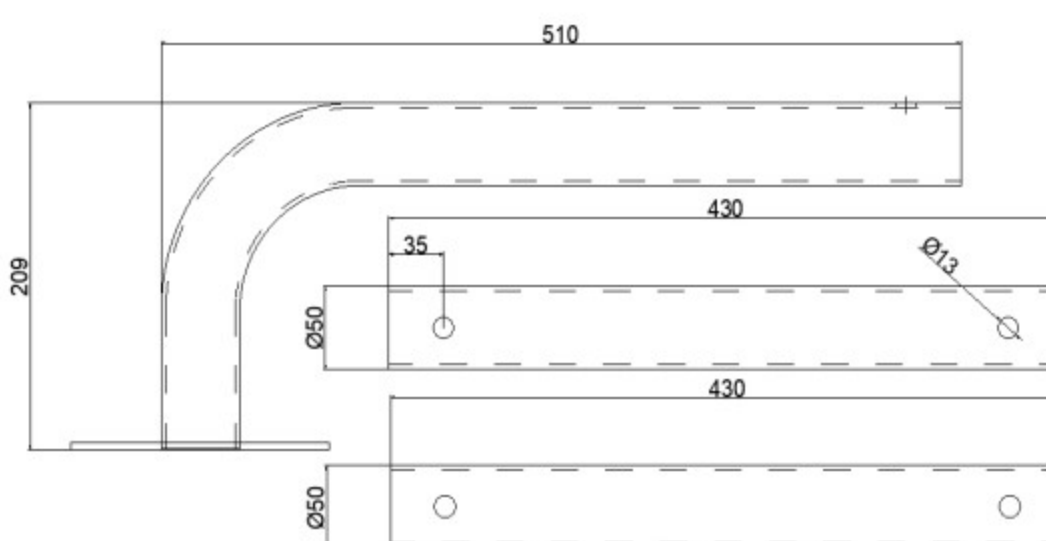
Model: 350415

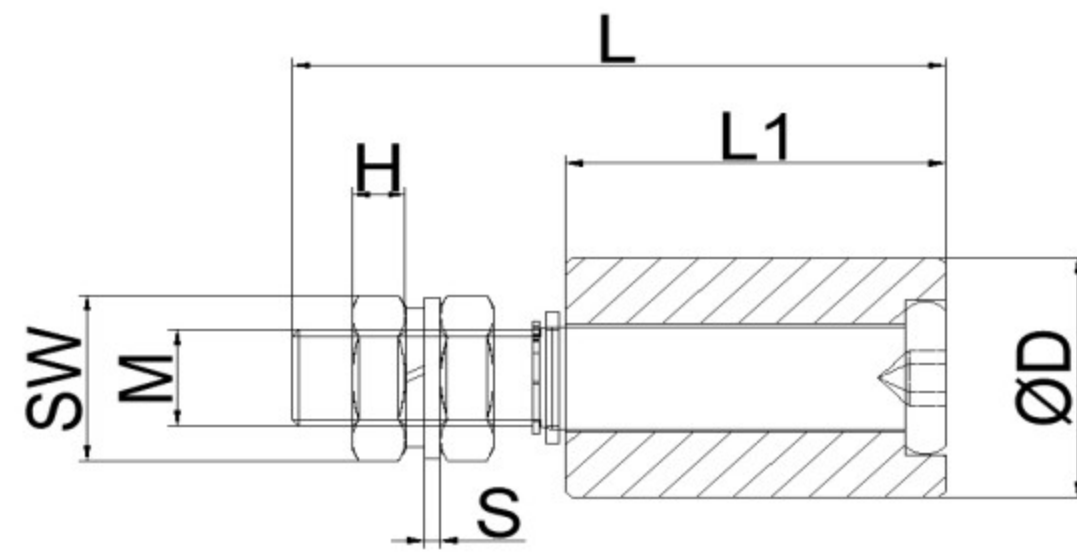


Model: 440309



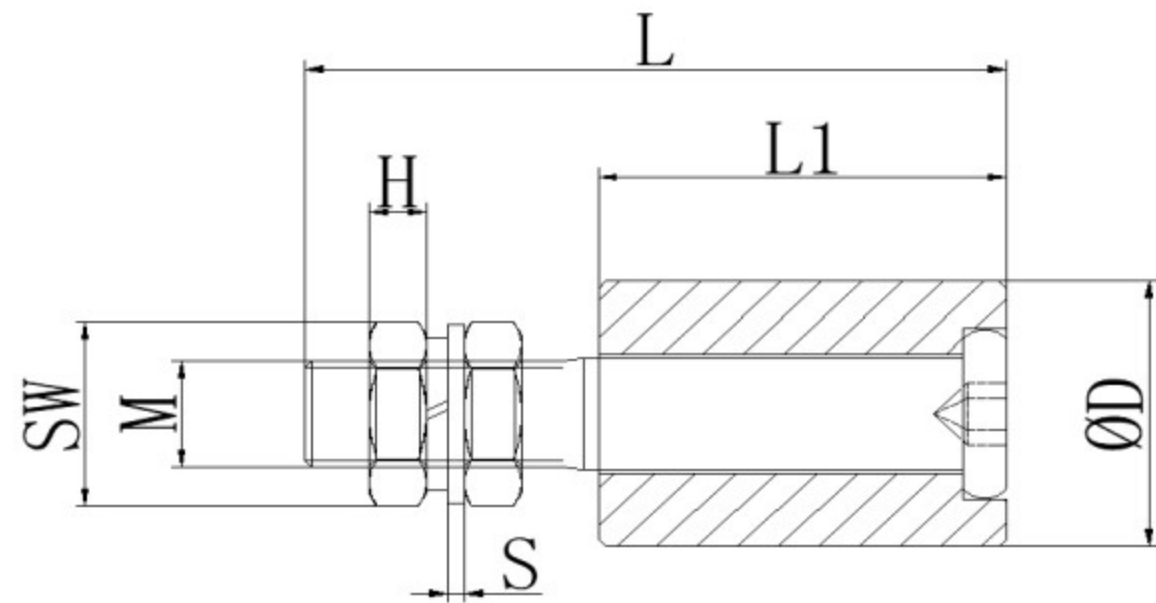
Model: 350721





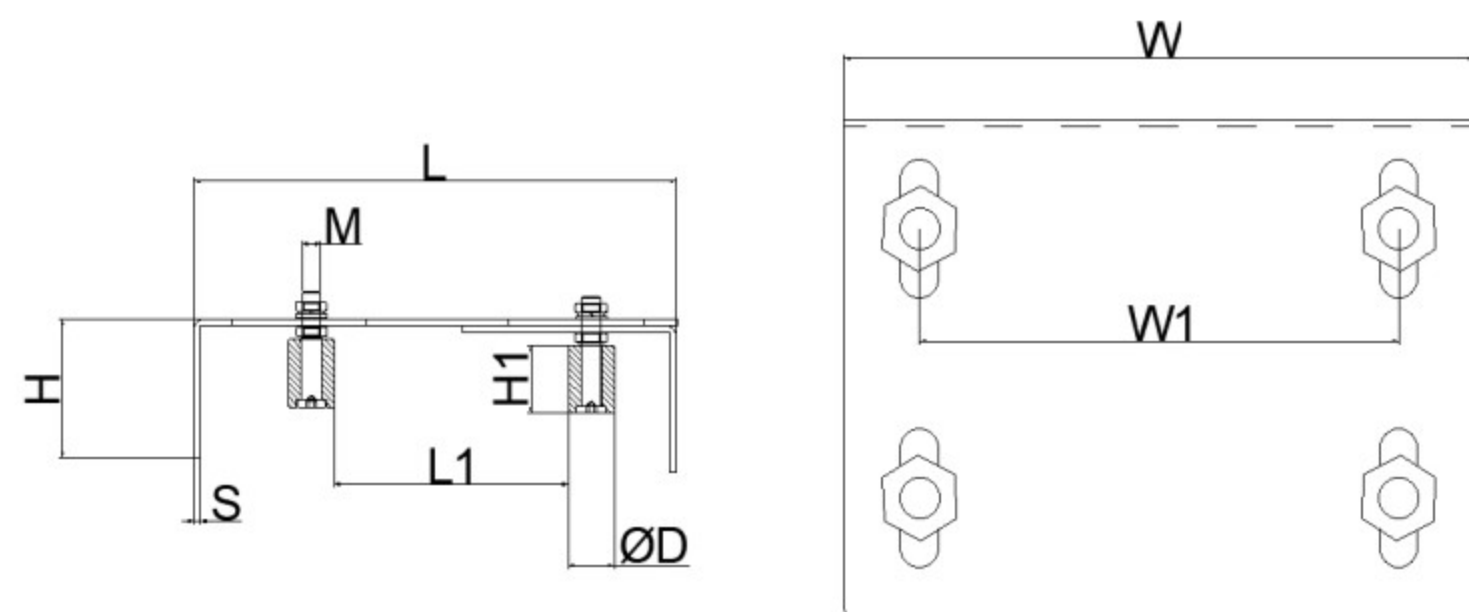
Model:0110series

NO.	L	L1	ΦD	M	SW	H	S
011011	98	60	40	M16	24	8	3
011013	78	40	30	M16	24	8	3
011015	80	40	30	M16	24	8	3
011016	84	33	35	M14	22	8	3
011021	78	40	40	M16	24	8	3



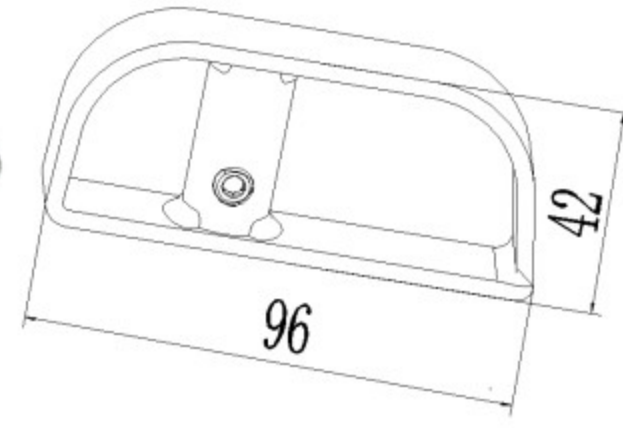
Model:0103series

NO.	L	L1	ΦD	M	SW	H	S
010322	80	35	25	M14	22	8	3
010318	80	40	35	M14	22	8	3
010323	80	60	35	M16	24	8	3
011019	80	35	40	M16	24	8	3
010725	98	40	40	M16	24	8	3

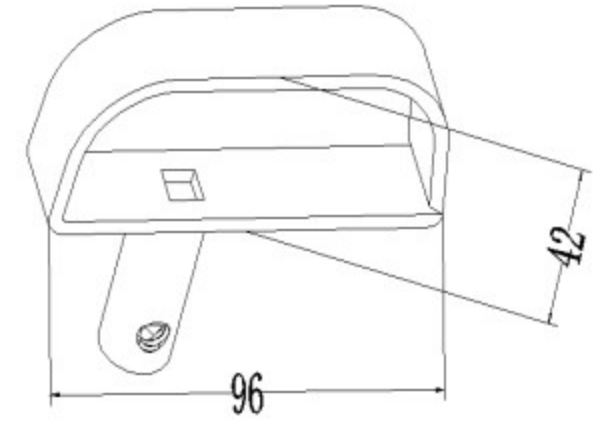


Model:0107series

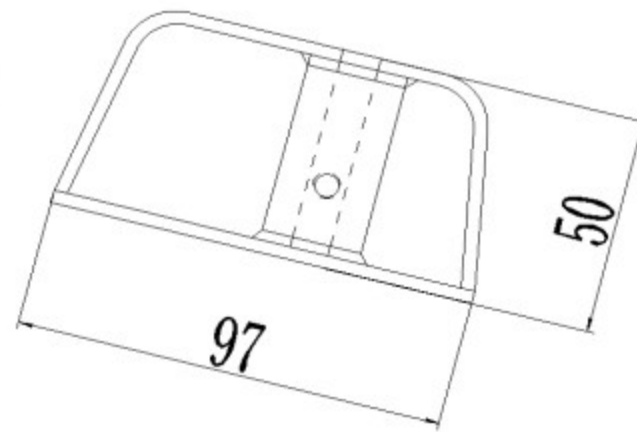
NO.	L	L1	ΦD	M	W	W1	H	H1	S
010702	143-167	21-70	30	M16	220	80	56	40	2.5
010713	213-246	70-110	40	M16	280	213	60	60	3
010703	235-265	90-130	40	M16	350	270	70	60	3



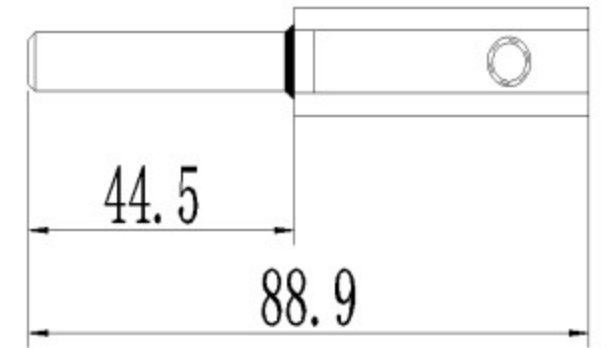
Model:310111



Model:310112



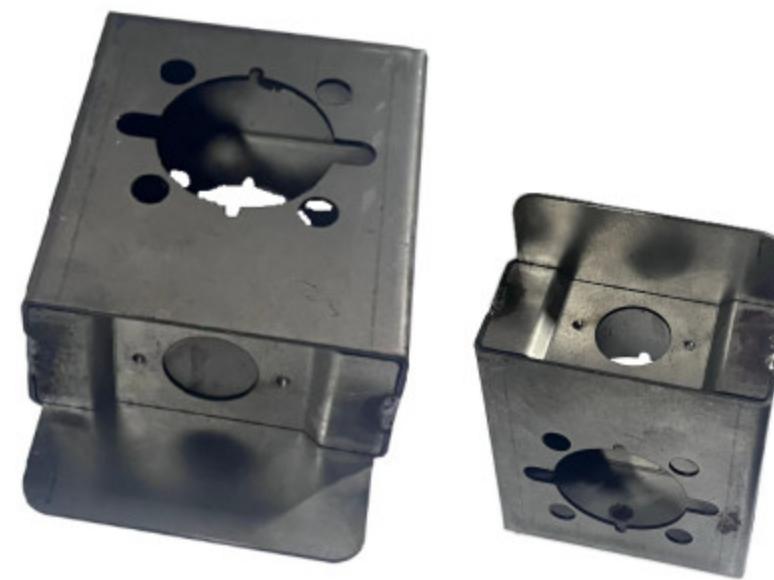
Model : 170101



Model : 170114



Model : 020625



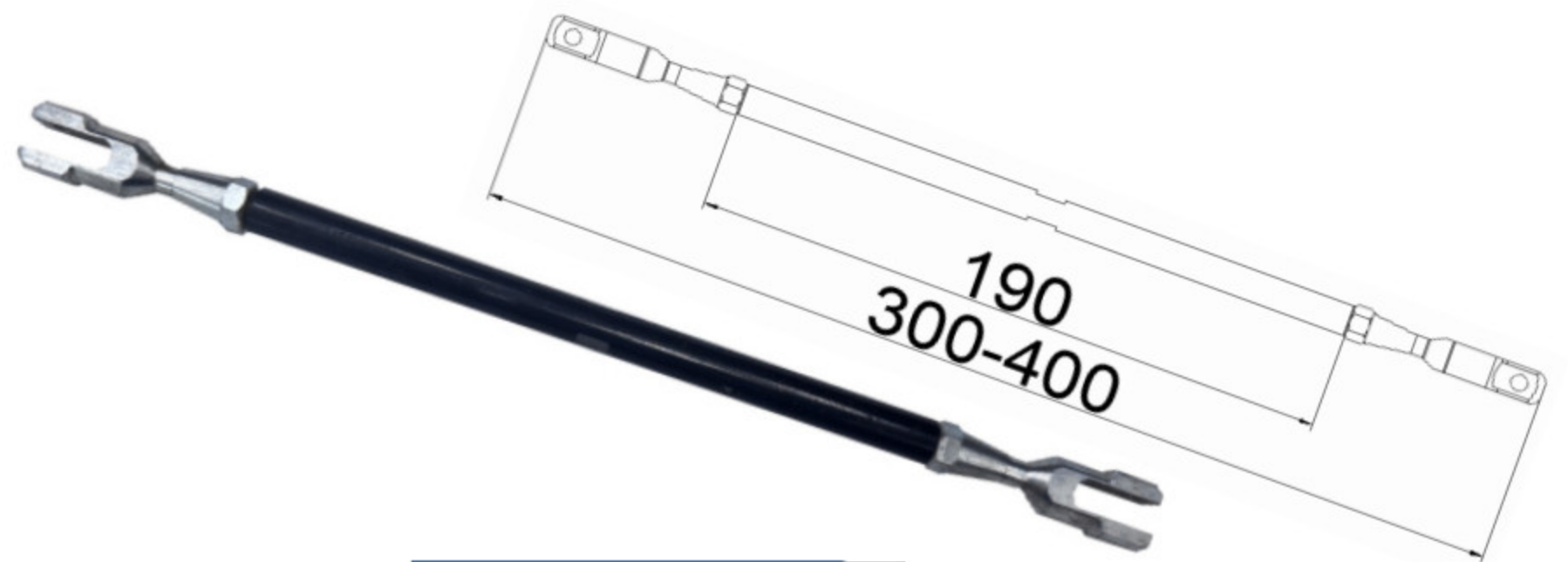
Model : 020610



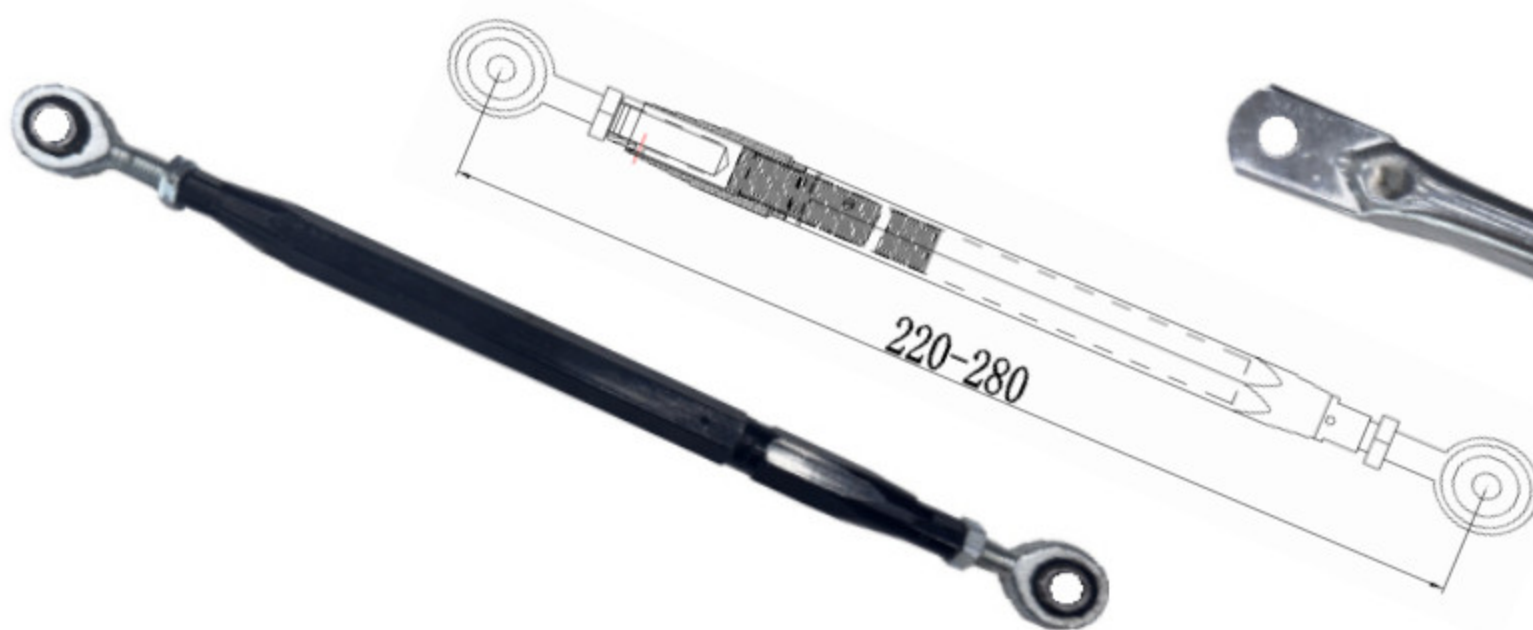
Model : 020626



Model:020609



Model:100121



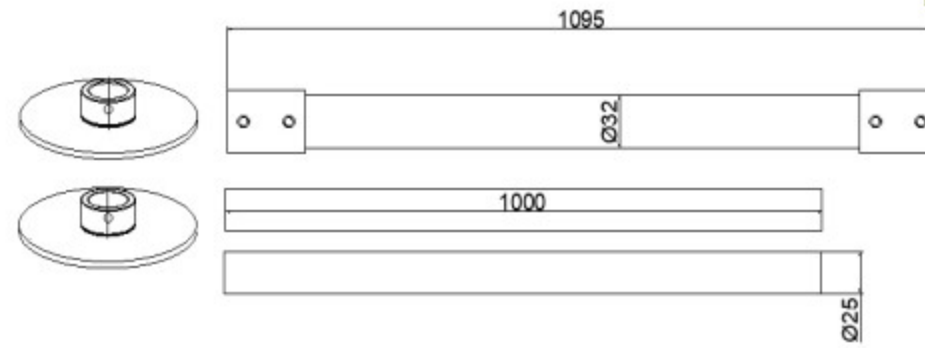
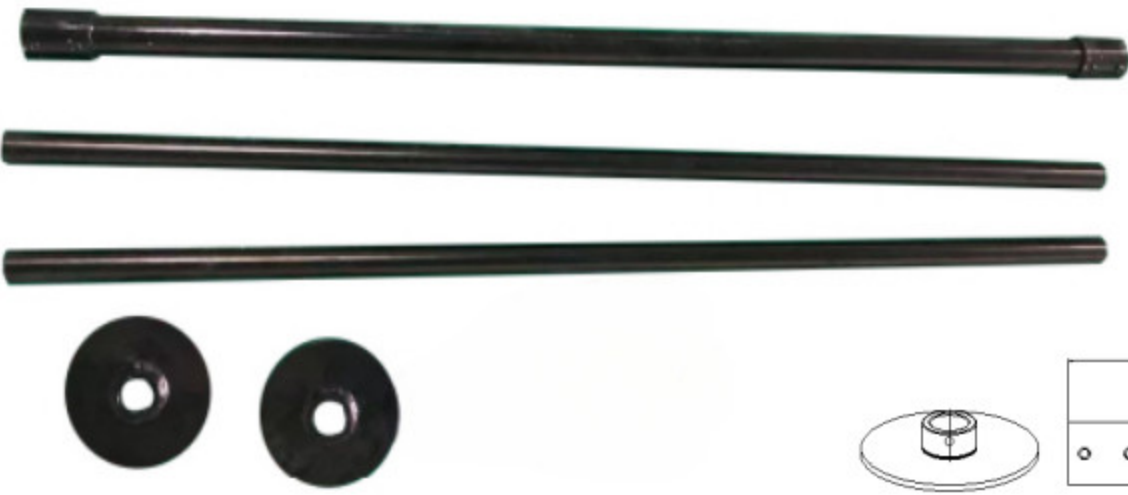
Model:100119



Model:140220



Truck Tarp Kit



Application scenarios

Model:140615



Model :020520



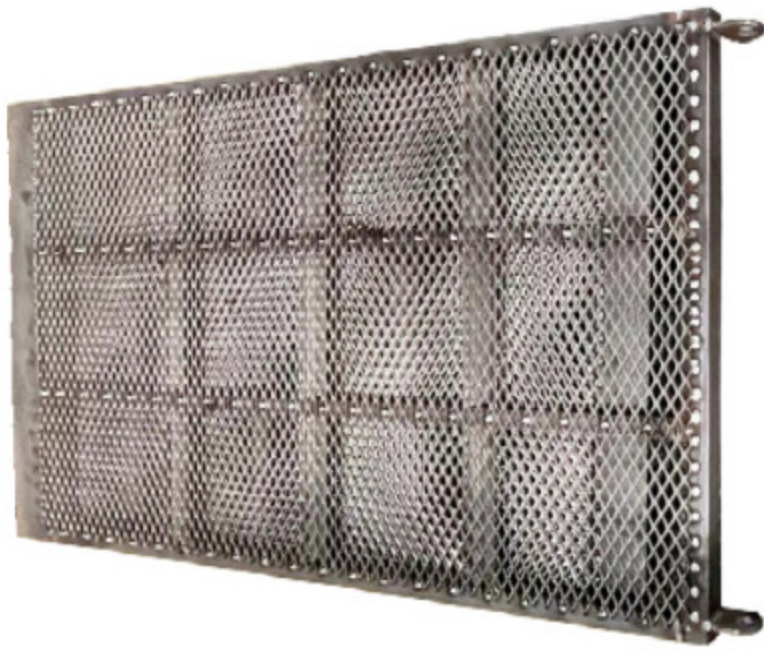
Model:020424

The Truck and Trailer Tarp Kit

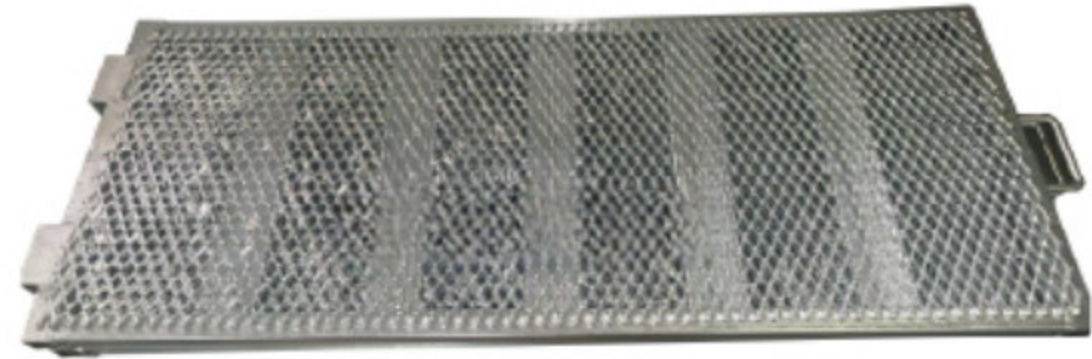
They are used for sunshade or rain cover.



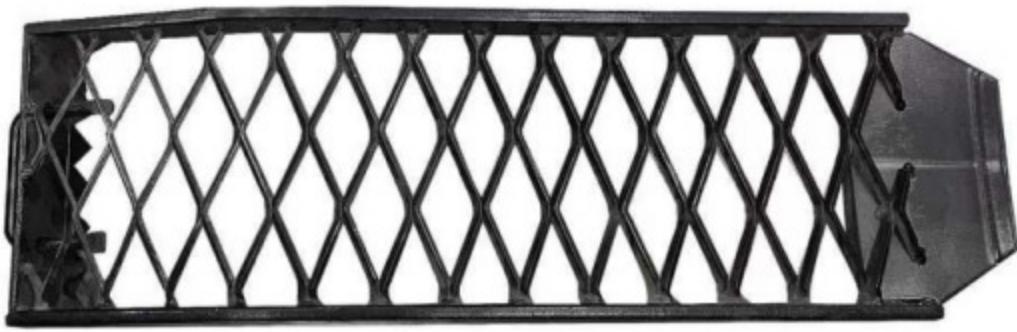
App licatbn scenarios



Model:140525



Model:140414



Model:050217



Model:140410



Model:100513



Model:140613



Model:100509



Model:100511

Folding Style



Model: 140610



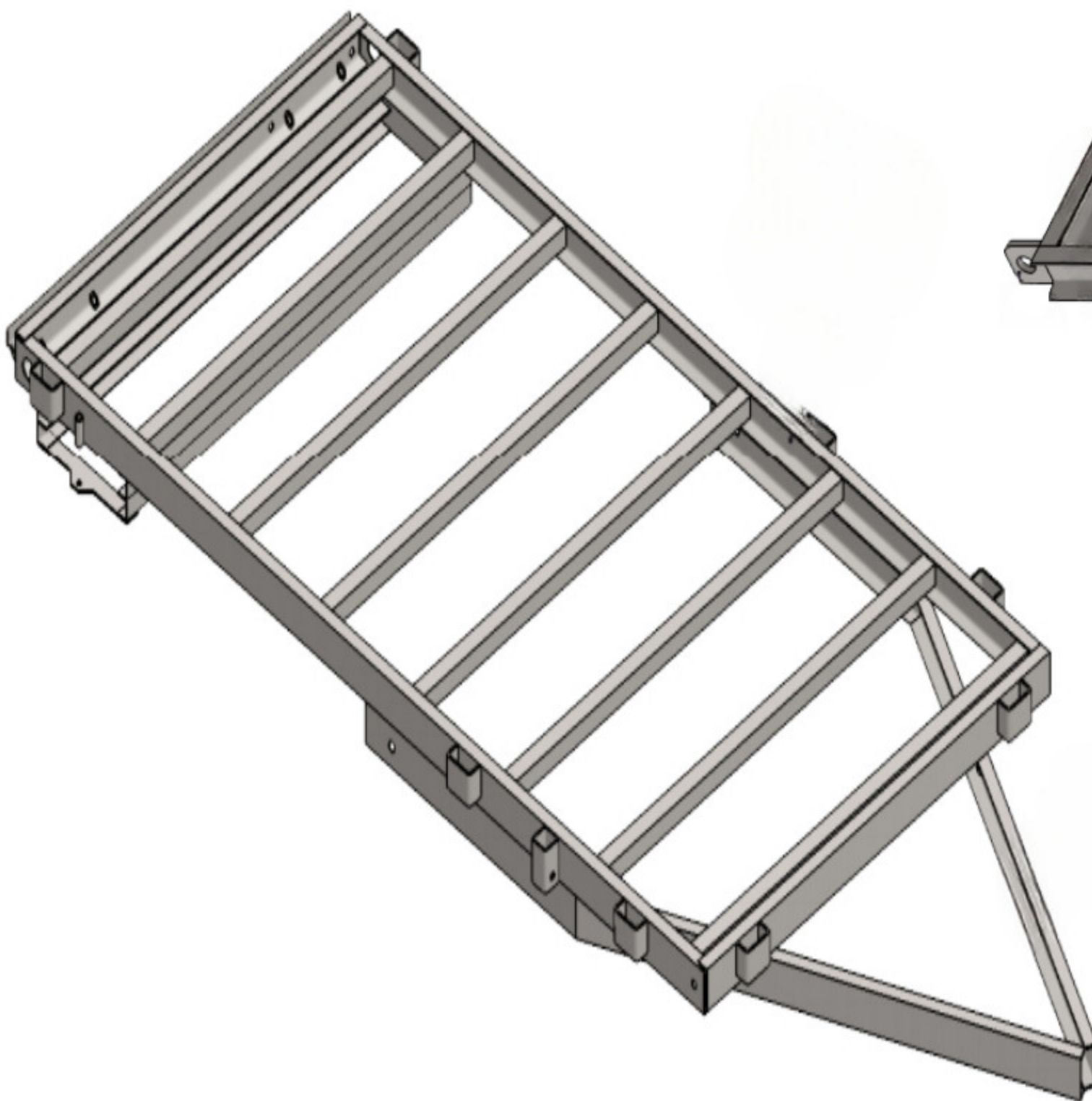
Model: 100729



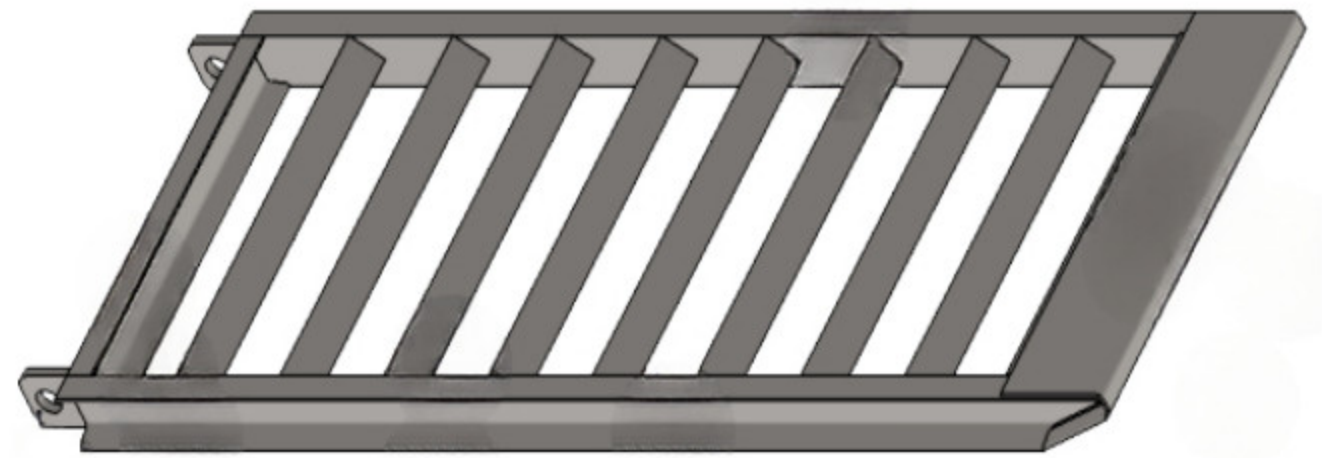
Model: 140604



Model: 100701



Model: 140527

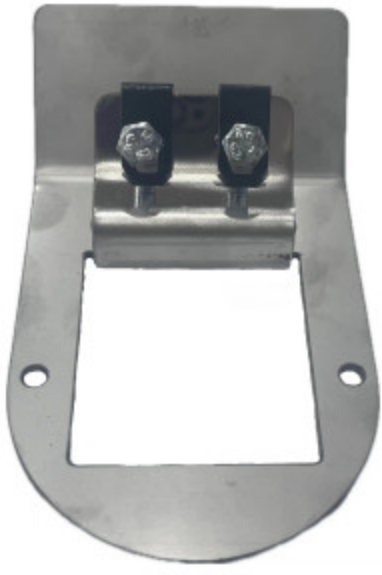


Model: 140603

Application scenarios



Welded Parts



Model: 350801



Model: 100527



Model: 490109



Model: 1000501



Model: 490130



Model: 310103



Model: 500312



Model: 100709



Model: 140630



Model: 140628



Model: 140502



Model: 140416



Model: 490109A



Model:140335



Model:140406



Model:100601



Model:680204



Model:SM-L



Model:HJ-HM



Model:HJ-MM



Model:HJ-MF



Model:080117



Model:HJ-TM



Model:HJ-HH



Model:HJ-MML



Model:HJ-MT



Model:HJ-HF



Model:HJ-HM



Model:260128



Model:500319



Model:680105



Model:680109



Model:100522



Model:HJ0101



Model:HJ0102



Model:HJ0101



Model:020705



Wheel Spacer, Leveling kit

They are used for automotive modification parts.

The material is Aluminum, etc.

The color is available with black, silver, gold, blue, purple, green, etc.

In addition to producing standard sizes, we also can produce them based on the drawings and samples provided by the customers.

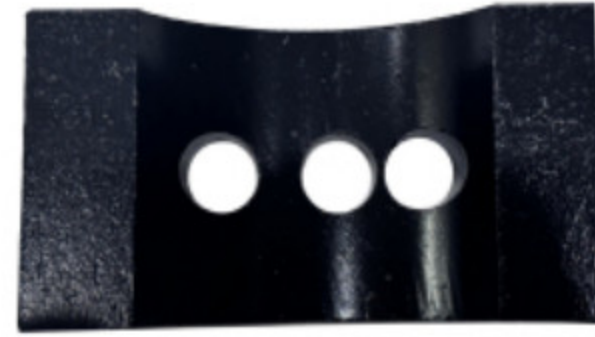




Vehicle Conversion Parts



Model:150206



Model:150210



Model:150205



Model:150507



Model:heel-raising insole



Model:heel-raising insole



Model:080231



Model:Wheel spacers



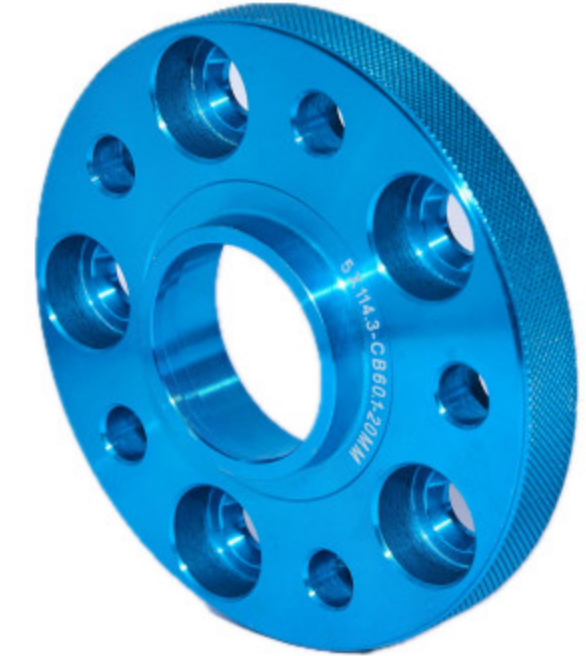
Model:4WD 2"Front and 2"Rear



Model:6 LUG hub Wheel spacers



Model:ATV spacers



Model:5 LUG hub Wheel spacers



Model:ATV spacers



Model:ATV spacers



Model:ATV spacers



Model:5 LUG hub Wheel spacers colored



Model:5 LUG hub Wheel spacers colored



Model:5 LUG hub Wheel spacers colored



Model:6 LUG hub Wheel spacers



Model:5 LUG hub Wheel spacers colored



Model:Single drilled 1-Piece



Model:Single drilled 2-Piece



Model:6 LUG hub Wheel spacers



Model: Wheel spacers



Model:6 LUG hub Wheel spacers



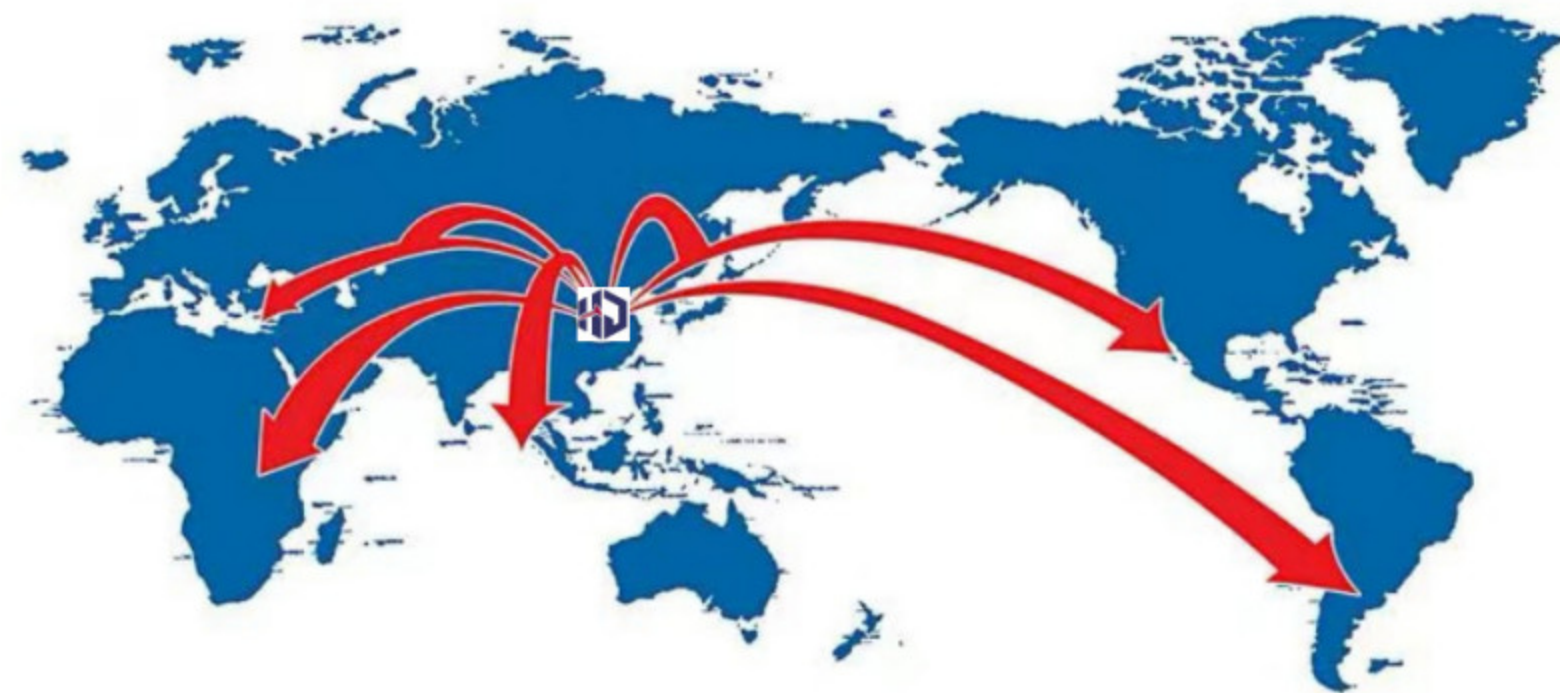
Model:5 LUG hub Wheel spacers



Application scenarios



Superior Quality and Excellent Service



中国. 宁波汇久五金制品有限公司

China Ningbo Huijiu Hardware Products Co., Ltd.



Job@nbhjwj.com



Sales@nbhjwj.com



0086-13506841592



0086-13456162728



0086-574-88038180



0086-574-88038180



<https://www.nbhjwj.com>



<https://www.nbhjwj.com>



Company Web QR Code